



Chipsmall Limited consists of a professional team with an average of over 10 year of expertise in the distribution of electronic components. Based in Hongkong, we have already established firm and mutual-benefit business relationships with customers from,Europe,America and south Asia,supplying obsolete and hard-to-find components to meet their specific needs.

With the principle of “Quality Parts,Customers Priority,Honest Operation,and Considerate Service”,our business mainly focus on the distribution of electronic components. Line cards we deal with include Microchip,ALPS,ROHM,Xilinx,Pulse,ON,Everlight and Freescale. Main products comprise IC,Modules,Potentiometer,IC Socket,Relay,Connector.Our parts cover such applications as commercial,industrial, and automotives areas.

We are looking forward to setting up business relationship with you and hope to provide you with the best service and solution. Let us make a better world for our industry!



Contact us

Tel: +86-755-8981 8866 Fax: +86-755-8427 6832

Email & Skype: info@chipsmall.com Web: www.chipsmall.com

Address: A1208, Overseas Decoration Building, #122 Zhenhua RD., Futian, Shenzhen, China



LOC	DIST	REVISIONS					
H	—	P	LTR	DESCRIPTION	DATE	DWN	APVD
			O	INITIAL RELEASE	—	—	—
			A	ECR-09-000201	19-01-09	AEG	KMA


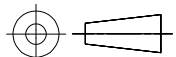
<div style="border: 1px solid black; padding: 5px; width: fit-content; margin: 0 auto;"> REFERENCE 136506-1 </div>		
DESIGNATION	REFERENCE	QTE
CONNECTEUR	1658671-1	42
CAPOT	737431-2	42

VOIR LES DETAILS DE CHACUN DES COMPOSANTS
SUR LES PLANS CLIENTS CONCERNES

THIS DRAWING IS UNPUBLISHED.

ALL INTERNATIONAL RIGHTS RESERVED.

© COPYRIGHT - BY TYCO ELECTRONICS CORPORATION.

DIMENSIONS: mm	DWN J.ALVES	28JAN97	MATERIAL —	FINISH —
	CHK G.ROBERT	04FEB97	 Tyco Electronics Corporation 's-Hertogenbosch, Nederland	
TOLERANCES UNLESS OTHERWISE SPECIFIED: 0 PLC ± - 1 PLC ± - 2 PLC ± - 3 PLC ± - 4 PLC ± - ANGLES ± -	APVD Y.PETRONIN	04FEB97		
	PRODUCT SPEC	NAME KIT HD 22		
	APPLICATION SPEC	SIZE CAGE CODE DRAWING NO RESTRICTED TO		
	WEIGHT	A4 00779 C- 136506		—
			CUSTOMER DRAWING SCALE NTS SHEET 1 OF 1 REV A	