



Chipsmall Limited consists of a professional team with an average of over 10 year of expertise in the distribution of electronic components. Based in Hongkong, we have already established firm and mutual-benefit business relationships with customers from,Europe,America and south Asia,supplying obsolete and hard-to-find components to meet their specific needs.

With the principle of “Quality Parts,Customers Priority,Honest Operation,and Considerate Service”,our business mainly focus on the distribution of electronic components. Line cards we deal with include Microchip,ALPS,ROHM,Xilinx,Pulse,ON,Everlight and Freescale. Main products comprise IC,Modules,Potentiometer,IC Socket,Relay,Connector.Our parts cover such applications as commercial,industrial, and automotives areas.

We are looking forward to setting up business relationship with you and hope to provide you with the best service and solution. Let us make a better world for our industry!



Contact us

Tel: +86-755-8981 8866 Fax: +86-755-8427 6832

Email & Skype: info@chipsmall.com Web: www.chipsmall.com

Address: A1208, Overseas Decoration Building, #122 Zhenhua RD., Futian, Shenzhen, China



4

3

2

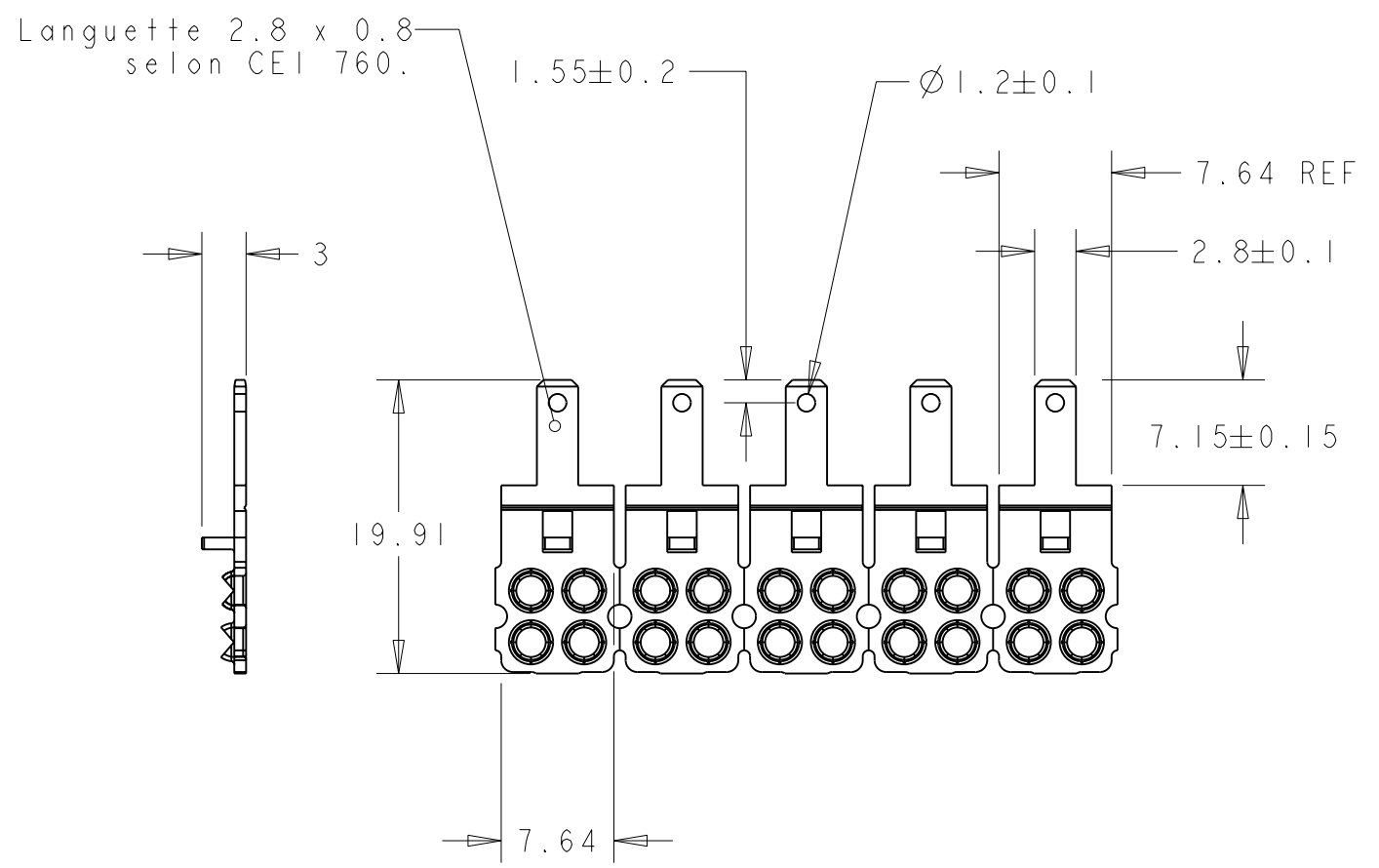
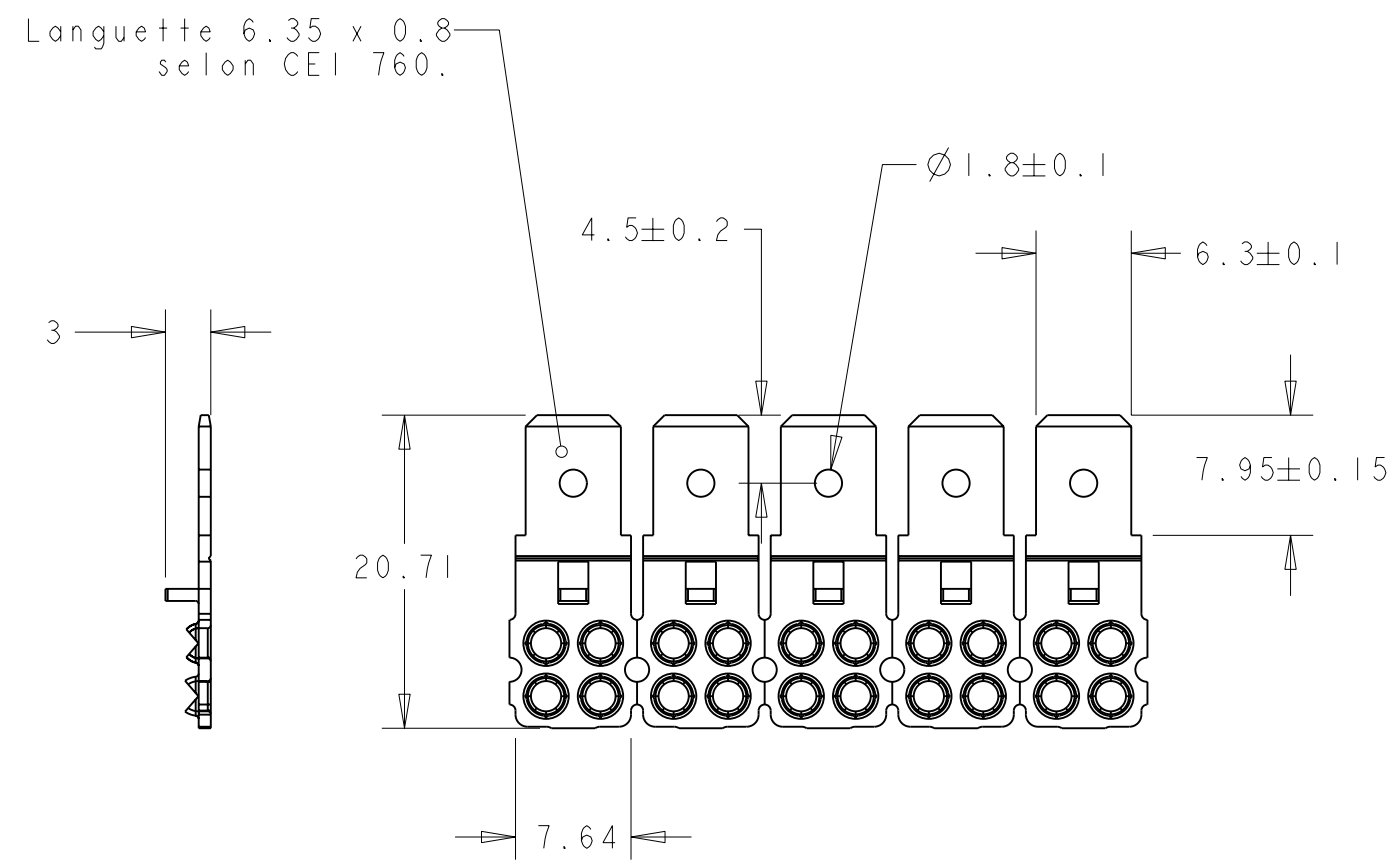
1

THIS DRAWING IS UNPUBLISHED.
 DIFFUSION RESTREINTE AMP

RELEASED FOR PUBLICATION
 LIBRE A LA DIFFUSION

© COPYRIGHT 19 BY TYCO ELECTRONICS CORPORATION. ALL RIGHTS RESERVED.
 TOUS DROITS RESERVES

LOC	DIST	REVISIONS				
P	LTR REV	DESCRIPTION MODIFICATIONS	DATE	DWN DESS.	APVD APP.	
F	14	A	CREATION	05OCT2009	GM CG	



<small>THIS DRAWING IS A CONTROLLED DOCUMENT FOR TYCO ELECTRONICS CORPORATION IT IS SUBJECT TO CHANGE AND THE CONTROLLING ENGINEERING ORGANIZATION SHOULD BE CONTACTED FOR THE LATEST REVISION.</small> <small>CE PLAN EST UN DOCUMENT CONTROLE PAR AMP INCORPORATED. IL EST SUSCEPTIBLE D'ETRE REVISE. CONTACTER LE SERVICE TECHNIQUE D'AMP DE FRANCE POUR OBTENIR LA DERNIERE REVISION.</small>		DWN/DESSINE 28SEP99 G. ROBERT		TYCO ELECTRONICS France SAS BP 39, 95301 CERGY-PONTOISE Cedex	
DIMENSIONS: mm		TOLERANCES UNLESS OTHERWISE SPECIFIED: TOLERANCES NON SPECIFIEES (SUIV NB DE DECIMALES): 0 PLC/DEC: ±- 1 PLC/DEC: ±0.5 2 PLC/DEC: ±0.13 3 PLC/DEC: ±0.013 4 PLC/DEC: ±0.0001 ANGLES ±-		NAME TITRE - TERMIFOIL VERSION RENFORCEE	
		APVD/APPROUVE 28SEP99 Y. PETRONIN		PRODUCT SPEC 108-15XXX	
MATERIAL /MATIERE CUIVRE		FINISH /FINITION ETAIN		APPLICATION SPEC 114-15XXX	
WEIGHT MASSE APPROX. -		SIZE FORMAT A3		CAGE CODE 00779	
CUSTOMER DRAWING /PLAN CLIENT		UNIQUEMENT POUR REFERENCE		DRAWING NO No PLAN C=136556	
SCALE ECHELLE 2:1		SHEET FEUILLE 1 OF DE 2		RESTRICTED TO RESERVE A -	

4

3

2

1

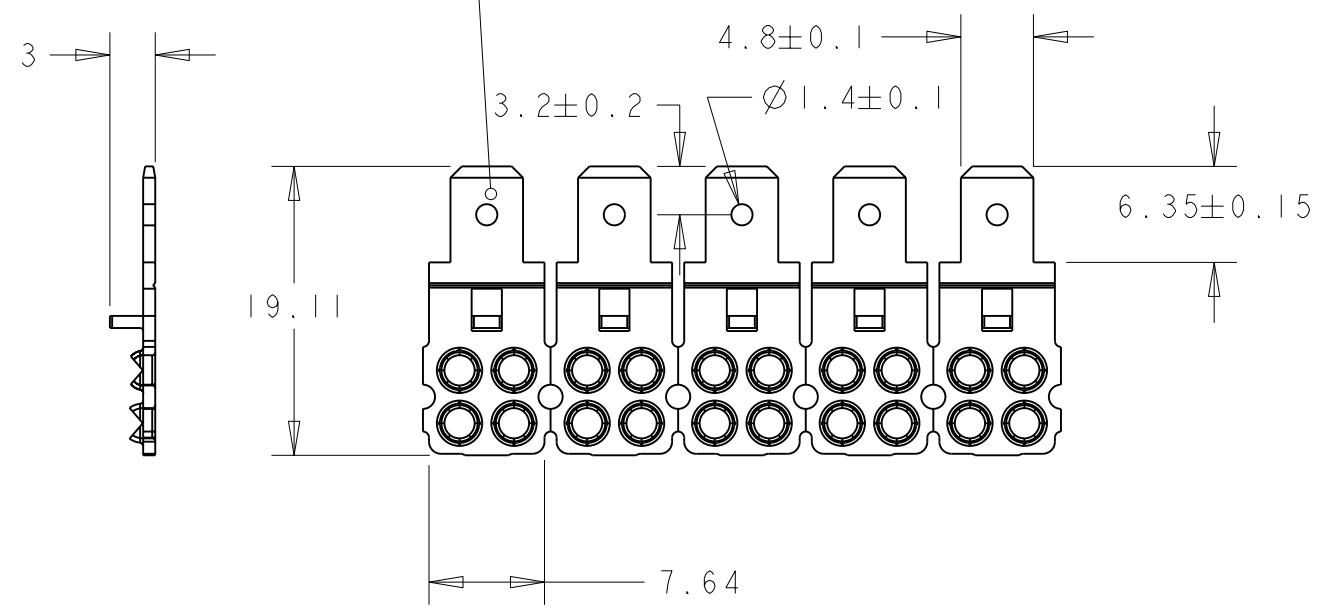
THIS DRAWING IS UNPUBLISHED.
 DIFFUSION RESTREINTE AMP

RELEASED FOR PUBLICATION
 LIBRE A LA DIFFUSION

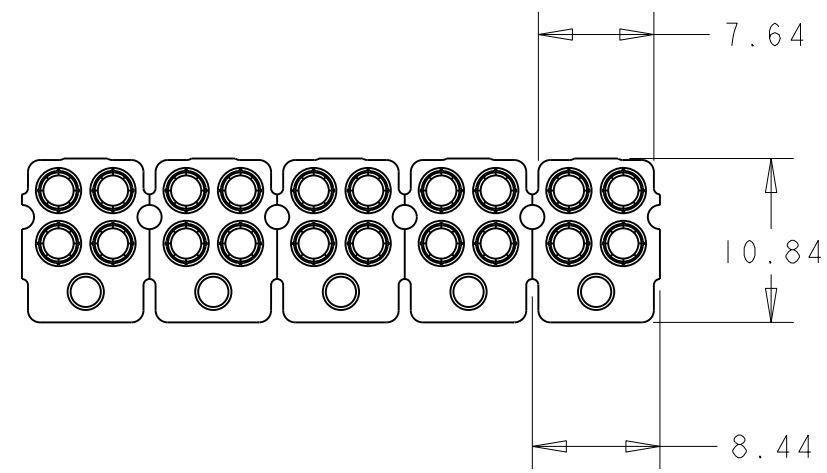
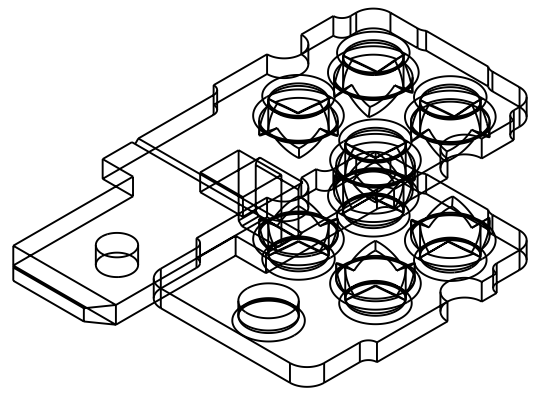
© COPYRIGHT 19 BY TYCO ELECTRONICS CORPORATION. ALL RIGHTS RESERVED.
 TOUS DROITS RESERVES

LOC	DIST	REVISIONS				
P	LTR	REV	DESCRIPTION MODIFICATIONS	DATE	DWN DESS.	APVD APP.
F	14	-	SEE SHEET 1	-	-	-

Langulette 4.75 x 0.8
 selon CEI 760.

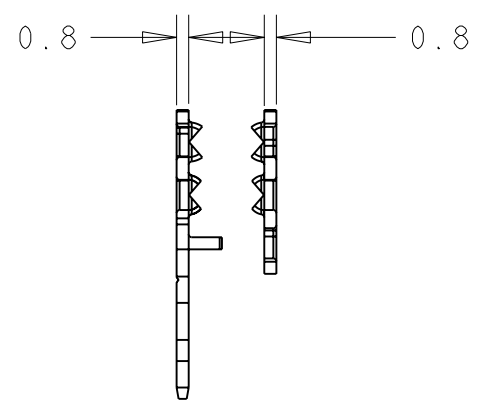


REFERENCE 136557-2

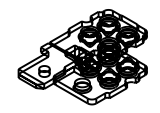


REFERENCE 136559-2

8.5 MAXI.
 APRES APPLICATION.



ECHELLE 2:1



ECHELLE 1:1

<small>THIS DRAWING IS A CONTROLLED DOCUMENT FOR TYCO ELECTRONICS CORPORATION IT IS SUBJECT TO CHANGE AND THE CONTROLLING ENGINEERING ORGANIZATION SHOULD BE CONTACTED FOR THE LATEST REVISION.</small> <small>CE PLAN EST UN DOCUMENT CONTROLE PAR AMP INCORPORATED. IL EST SUSCEPTIBLE D'ETRE REVISE. CONTACTER LE SERVICE TECHNIQUE D'AMP DE FRANCE POUR OBTENIR LA DERNIERE REVISION.</small>		DWN/DESSINE 28SEP99 G. ROBERT		TYCO ELECTRONICS France SAS BP 39, 95301 CERGY-PONTOISE Cedex	
DIMENSIONS: mm		TOLERANCES UNLESS OTHERWISE SPECIFIED: TOLERANCES NON SPECIFIEES (SUIV NB DE DECIMALES): 0 PLC/DEC: ±- 1 PLC/DEC: ±0.5 2 PLC/DEC: ±0.13 3 PLC/DEC: ±0.013 4 PLC/DEC: ±0.0001 ANGLES ±-		NAME TITRE	
		PRODUCT SPEC SPEC, PRODUIT 108-15XXX		SIZE FORMAT A3	
MATERIAL /MATERIE CUIVRE		FINISH/FINITION ETAIN		DRAWING NO No PLAN 136556	
APPLICATION SPEC SPEC, APPLICATION 114-15XXX		WEIGHT MASSE APPROX. -		RESTRICTED TO RESERVE A -	
CUSTOMER DRAWING /PLAN CLIENT			UNIQUEMENT POUR REFERENCE		SCALE ECHELLE 2:1
			SHEET FEUILLE 2		OF DE 2
			REV A		