



Chipsmall Limited consists of a professional team with an average of over 10 year of expertise in the distribution of electronic components. Based in Hongkong, we have already established firm and mutual-benefit business relationships with customers from,Europe,America and south Asia,supplying obsolete and hard-to-find components to meet their specific needs.

With the principle of “Quality Parts,Customers Priority,Honest Operation,and Considerate Service”,our business mainly focus on the distribution of electronic components. Line cards we deal with include Microchip,ALPS,ROHM,Xilinx,Pulse,ON,Everlight and Freescale. Main products comprise IC,Modules,Potentiometer,IC Socket,Relay,Connector.Our parts cover such applications as commercial,industrial, and automotives areas.

We are looking forward to setting up business relationship with you and hope to provide you with the best service and solution. Let us make a better world for our industry!



## Contact us

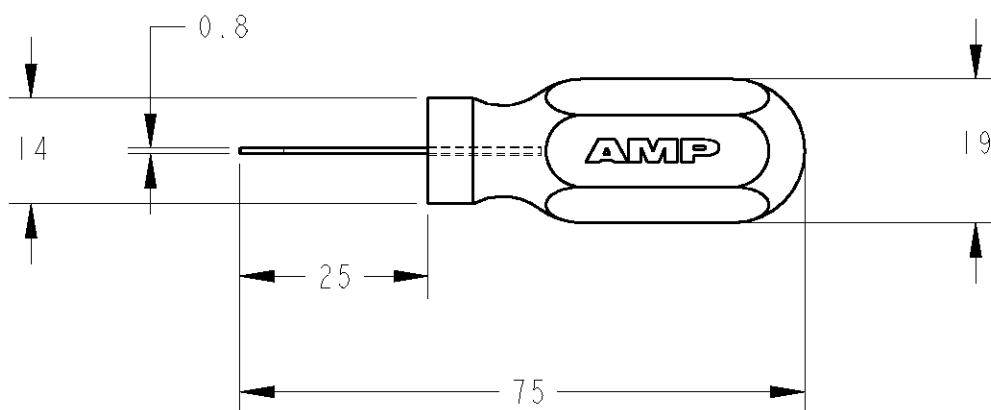
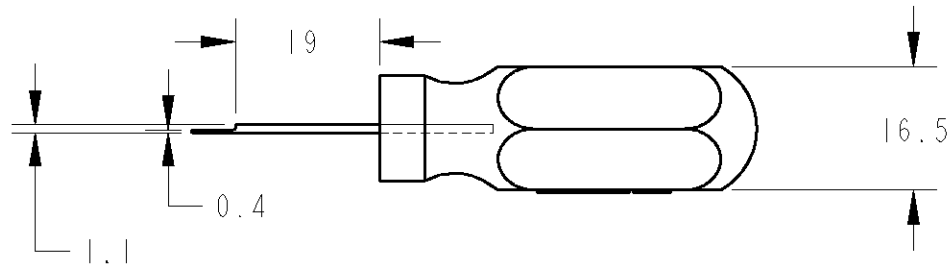
Tel: +86-755-8981 8866 Fax: +86-755-8427 6832

Email & Skype: info@chipsmall.com Web: www.chipsmall.com

Address: A1208, Overseas Decoration Building, #122 Zhenhua RD., Futian, Shenzhen, China



LOC	DIST	REVISIONS						
		P	LTR	DESCRIPTION	DATE	DWN	APVD	
J	-		0	RELEASED	FJ00-1128-00	25-Sep-00	J.K	S.Y
			01	CORRECTED	FJ00-1671-00	19-Oct-00	J.K	S.Y



1. APPLICABLE PRODUCTS 適用製品  
 TERMINAL (STRIP): 1376109-1  
 TERMINAL (L.P.): 1376607-1  
 HOUSING: 1376103-1, 1376106-1

2. INSTRUCTION SHEET NO: 411-5974  
 取扱説明書番号

20

RELEASED FOR PUBLICATION

BY TYCO ELECTRONICS CORPORATION. ALL RIGHTS RESERVED.

© COPYRIGHT 20

THIS DRAWING IS UNPUBLISHED.

DIMENSIONS: mm	DWN	J. KOGA	19-Oct-00	MATERIAL	-	FINISH	-
	CHK	J. KOGA	19-Oct-00	<b>AMP</b> Tyco Electronics AMP K.K. Kawasaki, Japan			
TOLERANCES UNLESS OTHERWISE SPECIFIED:	APVD	S. YABE	19-Oct-00				
0 PLC ±-	PRODUCT SPEC	NAME EXT-TOOL FOR 025 TAB CONTACT 025 タブ・コンタクト用引抜工具					
1 PLC ±-	APPLICATION SPEC	SIZE A4 CAGE CODE 00779 DRAWING NO C=1366865-1 RESTRICTED TO -					
2 PLC ±-	WEIGHT	CUSTOMER DRAWING SCALE 1:1 SHEET 1 OF 1 REV 01					
3 PLC ±-							
4 PLC ±-							
ANGLES ±-							