



Chipsmall Limited consists of a professional team with an average of over 10 year of expertise in the distribution of electronic components. Based in Hongkong, we have already established firm and mutual-benefit business relationships with customers from,Europe,America and south Asia,supplying obsolete and hard-to-find components to meet their specific needs.

With the principle of “Quality Parts,Customers Priority,Honest Operation,and Considerate Service”,our business mainly focus on the distribution of electronic components. Line cards we deal with include Microchip,ALPS,ROHM,Xilinx,Pulse,ON,Everlight and Freescale. Main products comprise IC,Modules,Potentiometer,IC Socket,Relay,Connector.Our parts cover such applications as commercial,industrial, and automotives areas.

We are looking forward to setting up business relationship with you and hope to provide you with the best service and solution. Let us make a better world for our industry!



Contact us

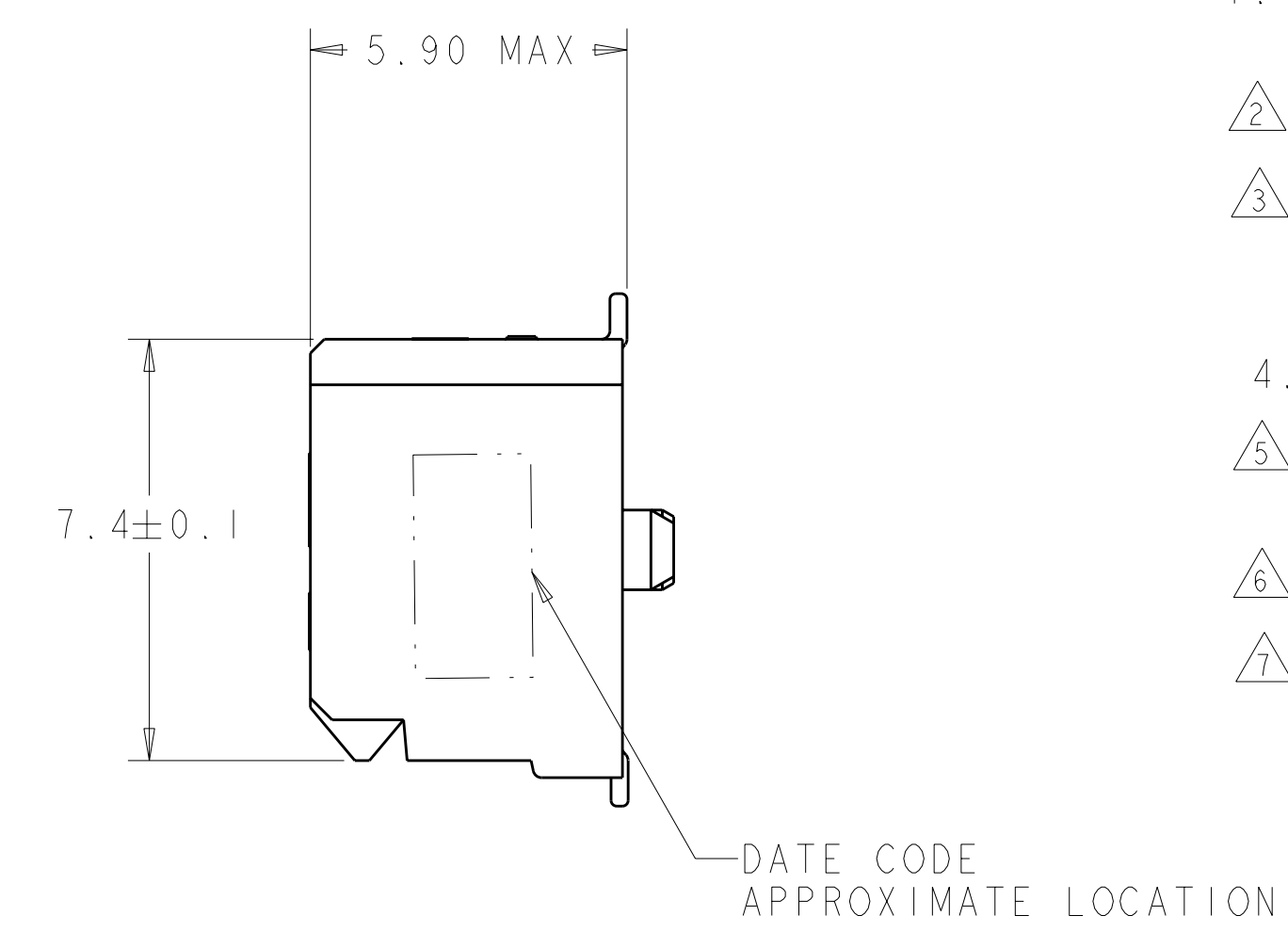
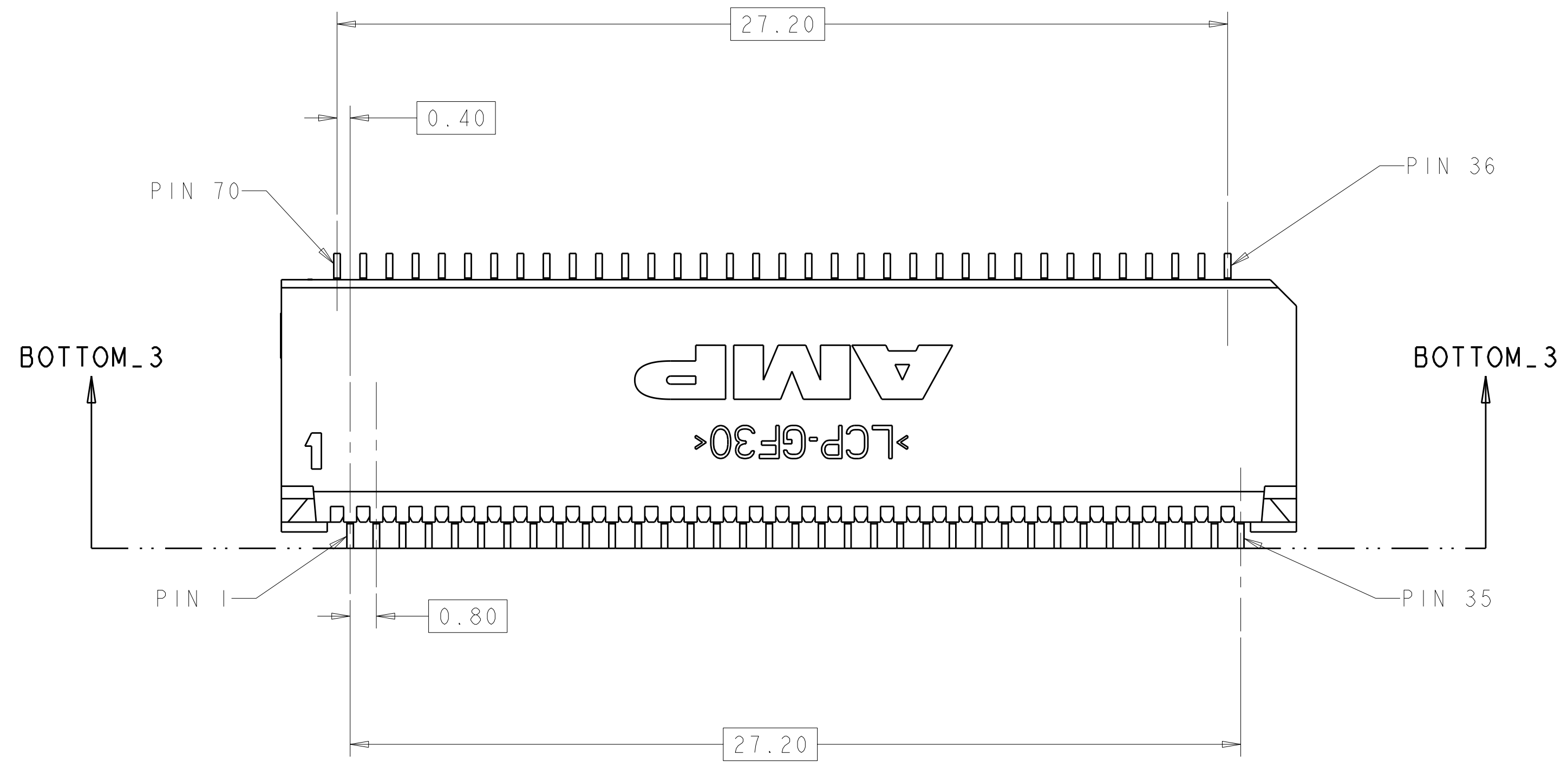
Tel: +86-755-8981 8866 Fax: +86-755-8427 6832

Email & Skype: info@chipsmall.com Web: www.chipsmall.com

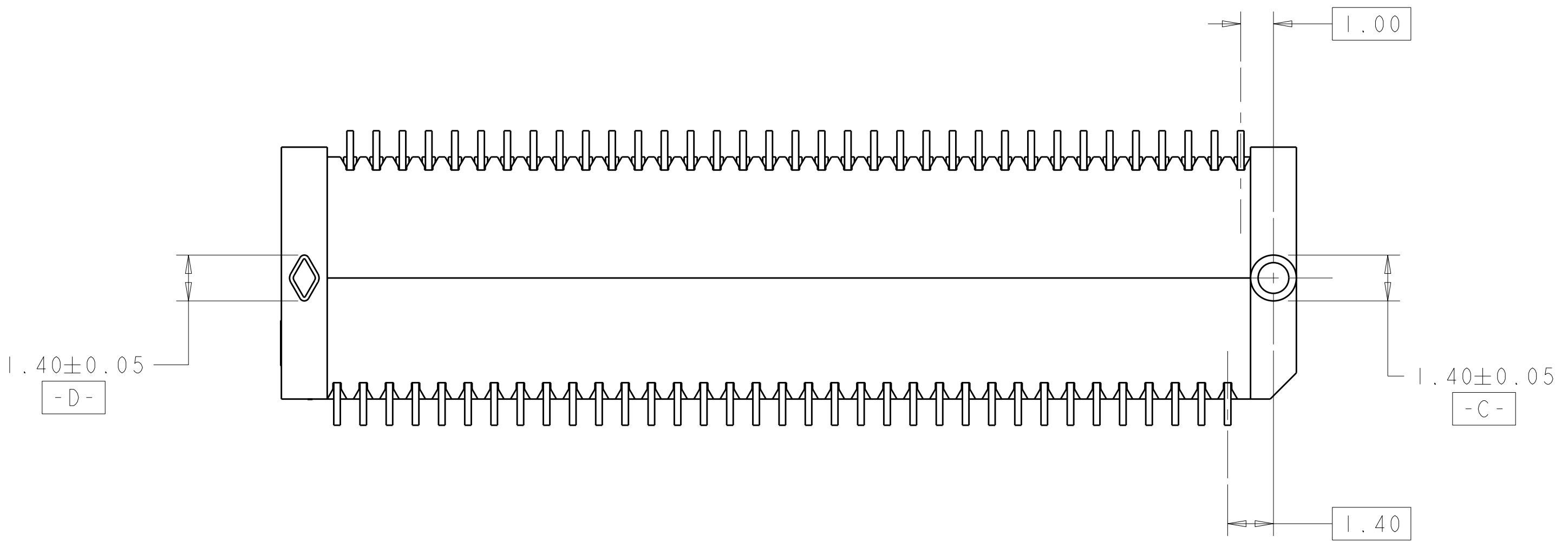
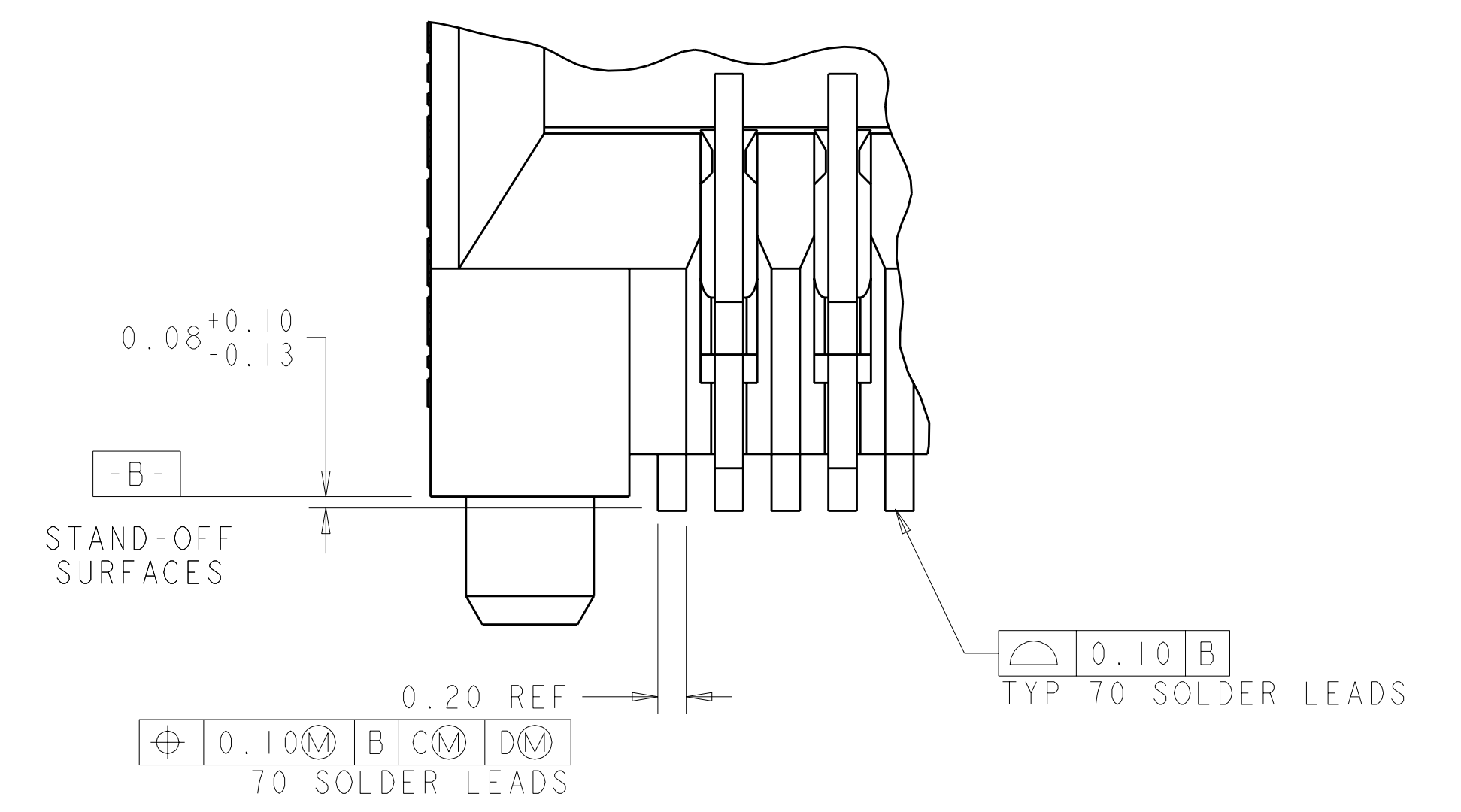
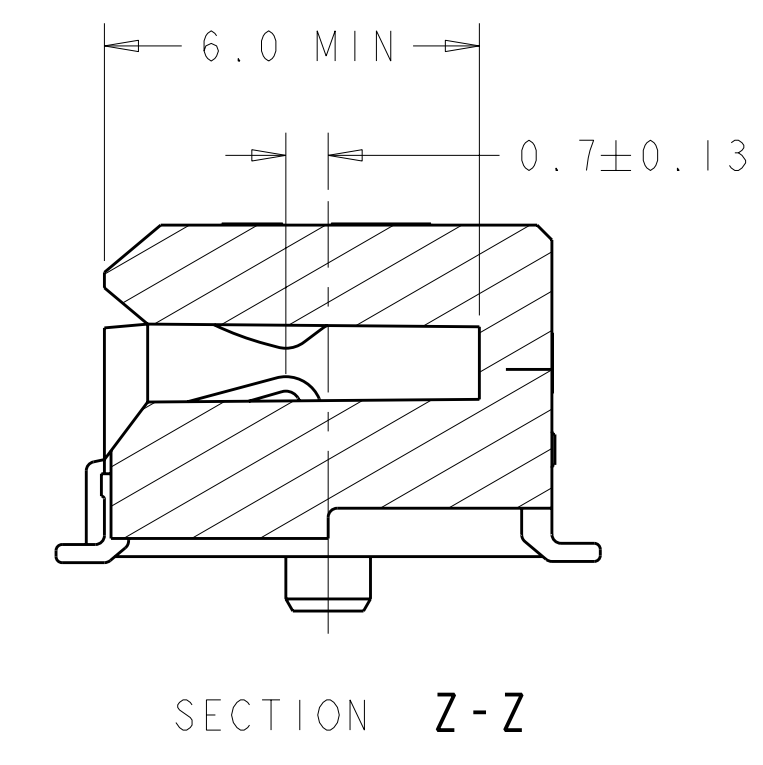
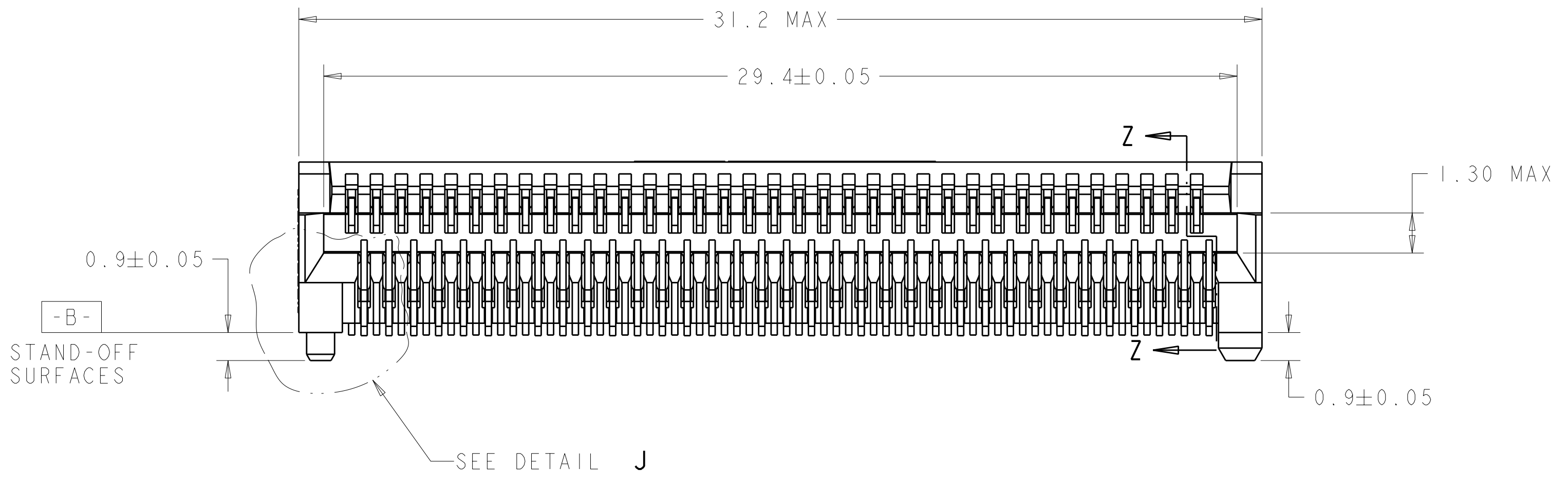
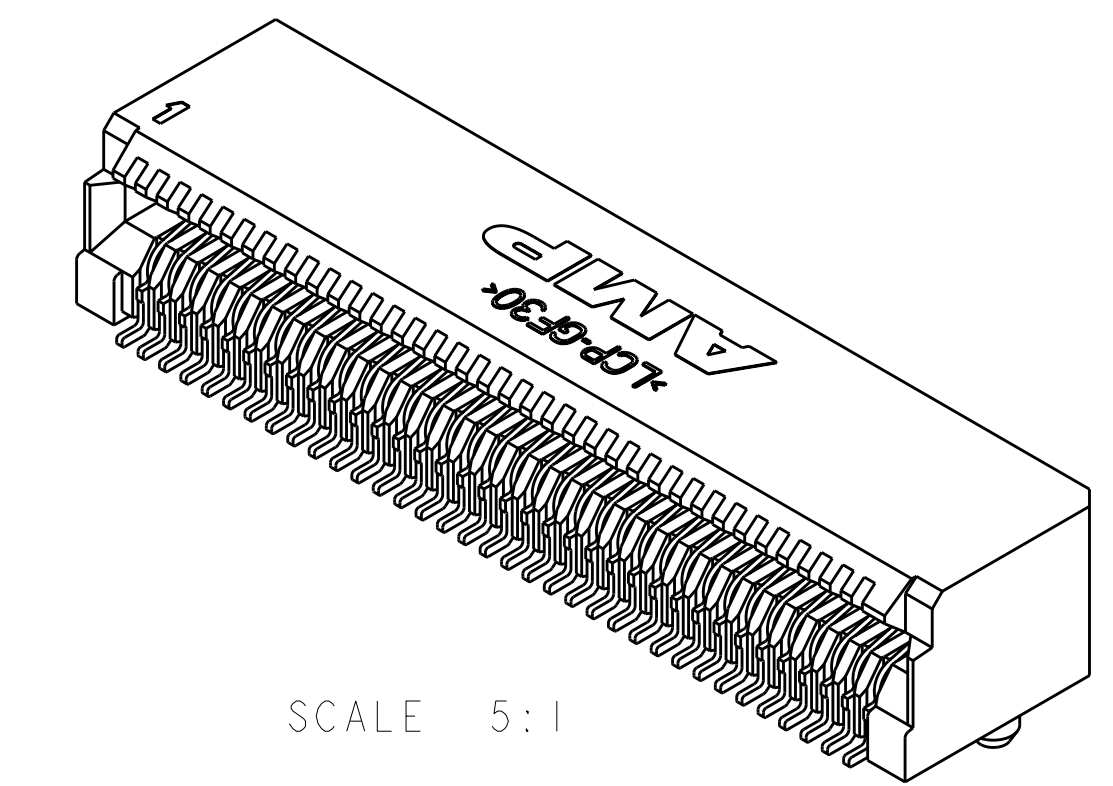
Address: A1208, Overseas Decoration Building, #122 Zhenhua RD., Futian, Shenzhen, China



LOC	DIST	REV	DATE	BY	APPD
ES	00				
H3		ECR-11-001732	25JAN2011	KS	MO, W
H4		REVISED PER ECR-11-009789	11MAY2011	KS	MO, W



- PART COMPATABLE XENPAK & X2 MSA. REFER TO THESE MSA'S FOR DIMENSIONS NOT SHOWN ON THIS PRINT.
- HOUSING: HIGH TEMPERATURE LCP, UL 94V-0 RATED, BLACK.
- CONTACTS: 0.00038 MIN GOLD IN CONTACT AREA, 0.00013 MIN GOLD ON SOLDER AREA, OVER 0.0038 MIN NICKEL UNDERPLATE ON ENTIRE CONTACT.
- PACKAGED 480 PIECES PER REEL.
- GROUND, POWER AND SIGNAL PAD ARRANGEMENT TO BE DETERMINED BY CUSTOMER.
- DATUMS AND BASIC DIMENSIONS ESTABLISHED BY CUSTOMER.
- CONTACTS: 0.00076 MIN GOLD IN CONTACT AREA, 0.00013 MIN GOLD ON SOLDER AREA, OVER 0.0038 MIN NICKEL UNDERPLATE ON ENTIRE CONTACT.



DETAIL J
SCALE 25:1

YES	△1	1367337-4
YES	△3	1367337-3
NO	△7	1367337-2
NO	△3	1367337-1
DATE CODE	FINISH	PART NUMBER

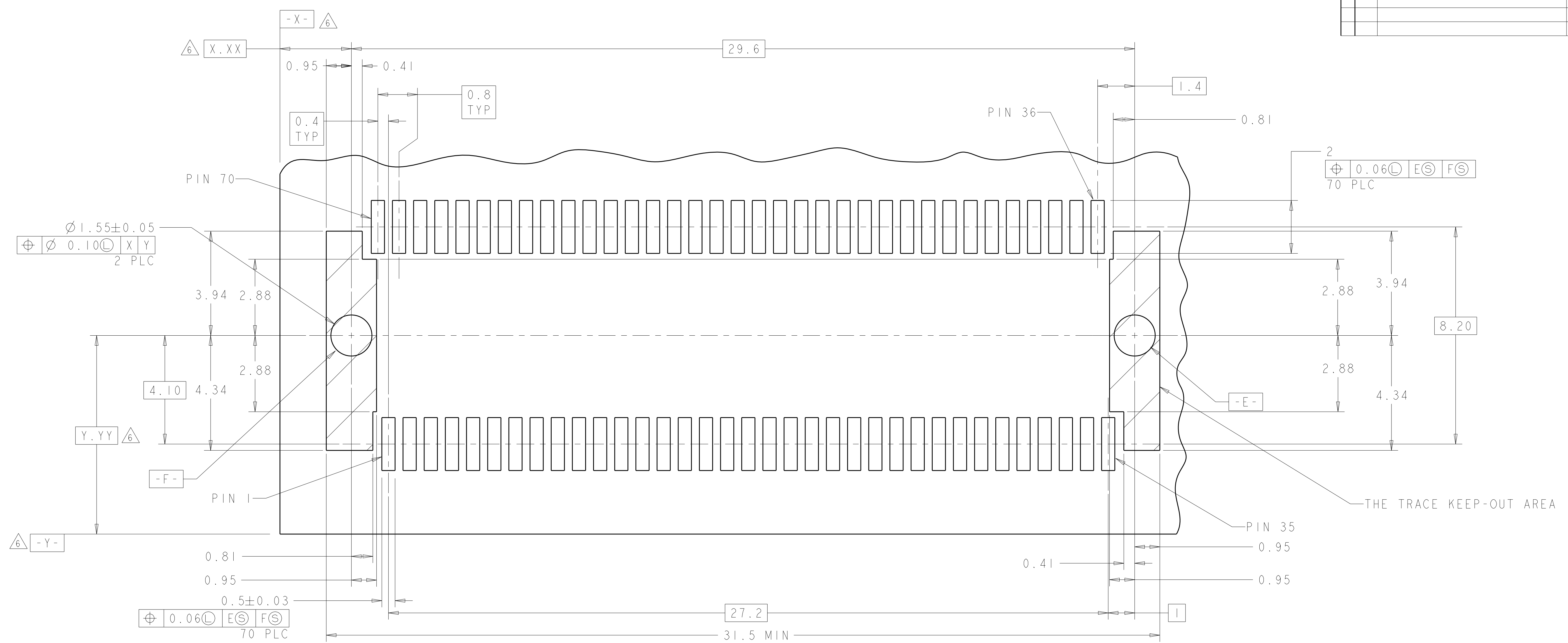
THIS DRAWING IS A CONTROLLED DOCUMENT.

DIMENSIONS:	TOLERANCES UNLESS OTHERWISE SPECIFIED:	OWN: D. BROCKWAY 12FEB01	CHK: J. KOPPENHEFFER 08JUN01	APVD: S. GOOD 08JUN01	NAME: PT CONNECTOR ASSEMBLY, 70 POSITION, RTANG, 0.8MM
mm	0 PLC ±	PRODUCT SPEC	108-1949	APPLICATION SPEC	SIZE: CAGE CODE: DRAWING NO: RESTRICTED TO
	1 PLC ±0.10	114-13017	WEIGHT	A100779C=1367337	SCALE: 8:1 SHEET 1 OF 2 REV: H4
	2 PLC ±	FINISH	SEE TABLE	CUSTOMER DRAWING	
	3 PLC ±				
	4 PLC ±				
	ANGLES ±				

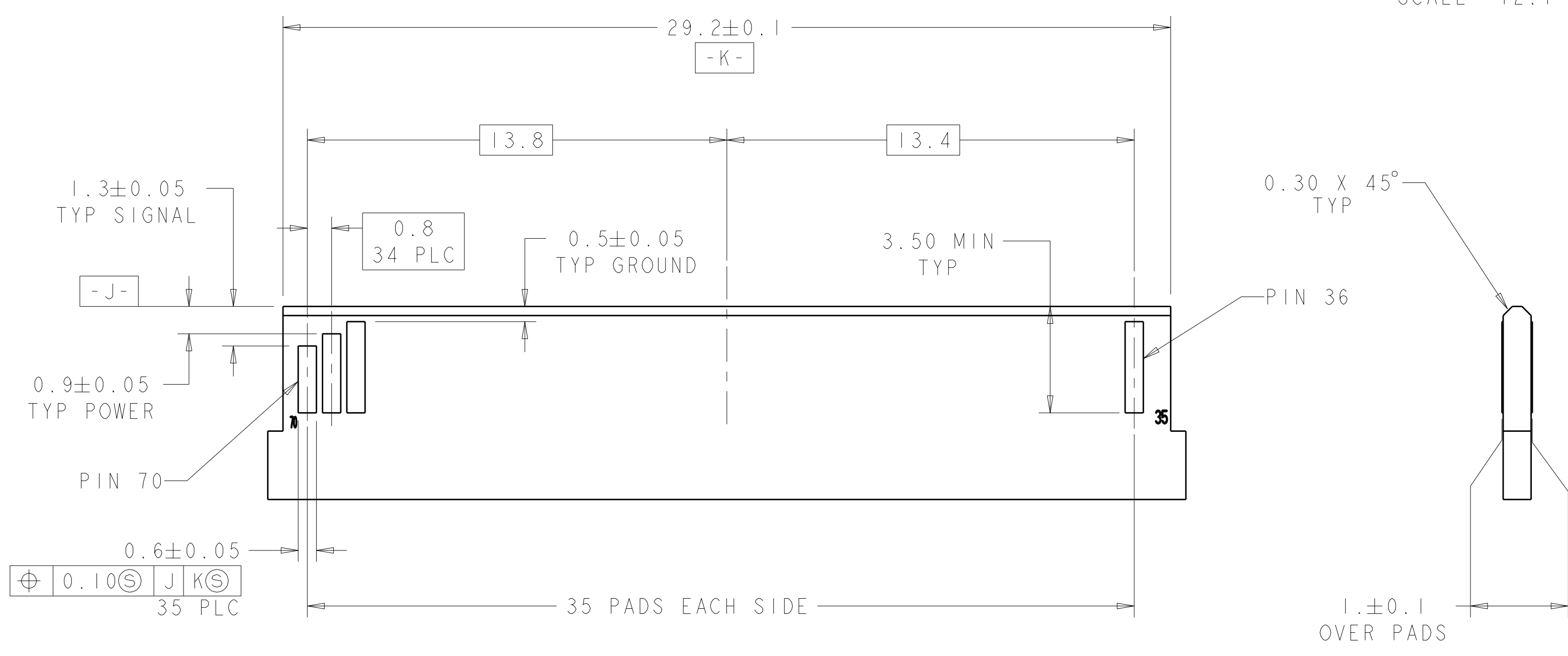
TE Connectivity

LOC	DIST	REV	DATE	BY	APPD
ES	00				

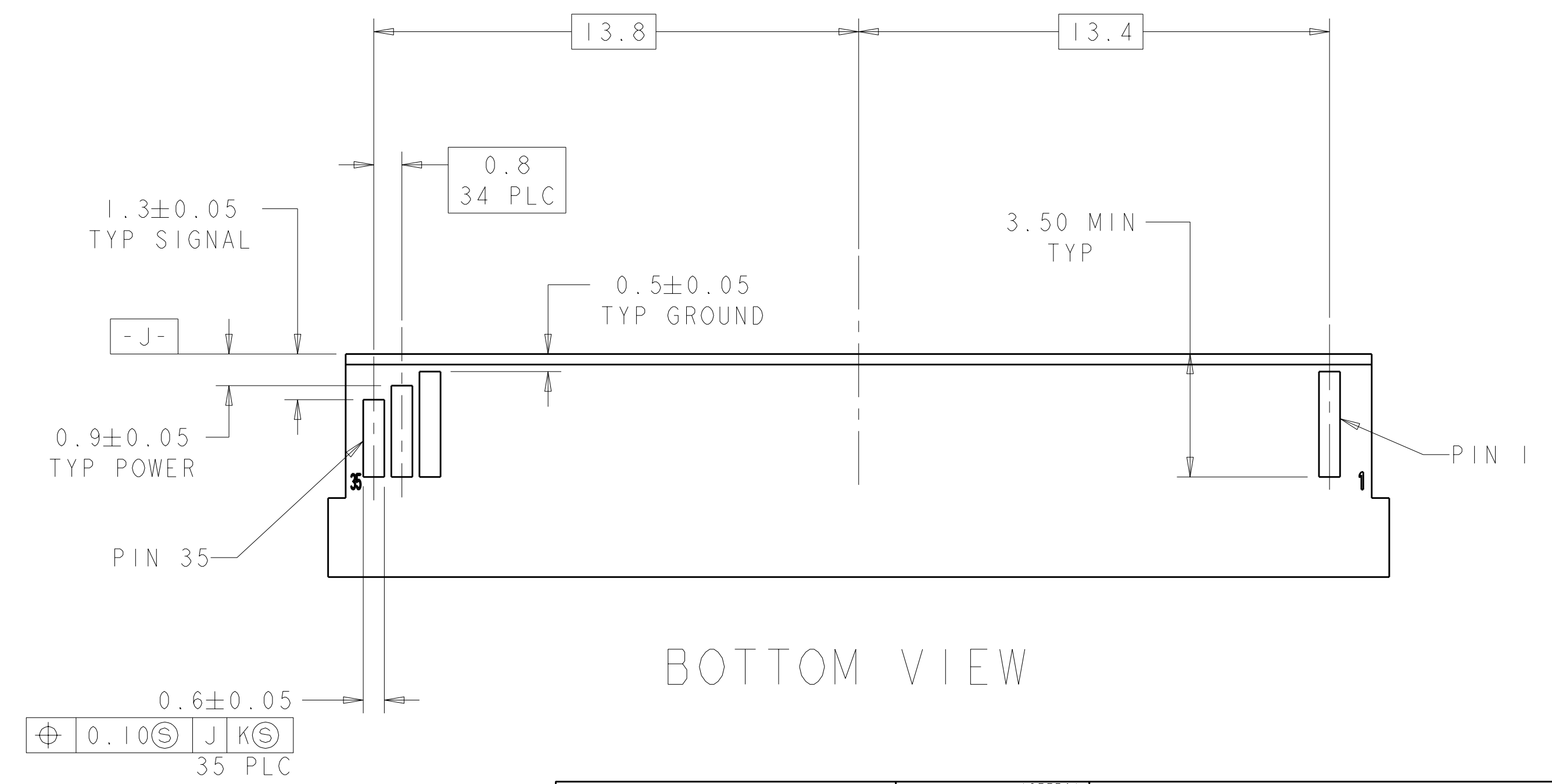
REVISIONS		DATE	BY	APPD
1	SEE SHEET 1			



RECOMMENDED PCB LAYOUT DETAIL
CONNECTOR MOUNTING SIDE
SCALE 12:1



TOP VIEW



BOTTOM VIEW

RECOMMENDED LAYOUT DETAIL
MATING PCB

THIS DRAWING IS A CONTROLLED DOCUMENT.		DWN D. BROCKWAY	12FEB01	STE TE Connectivity	
DIMENSIONS:		CHK J. KOPPENHEFFER	08JUN01	NAME PT CONNECTOR ASSEMBLY, 70 POSITION, RTANG, 0.8MM	
TOLERANCES UNLESS OTHERWISE SPECIFIED:		APVD S. GOOD	08JUN01	PRODUCT SPEC	
mm		108-1949		APPLICATION SPEC	
9 PLC ±		114-13017		SIZE CAGE CODE DRAWING NO	
3 PLC ±0.10		WEIGHT		A100779C-1367337	
5 PLC ±		CUSTOMER DRAWING		RESTRICTED TO	
4 PLC ±		SCALE 8:1		SHEET 2 OF 2	
ANGLES ±		REV H4			
MATERIAL		SEE TABLE			