



Chipsmall Limited consists of a professional team with an average of over 10 year of expertise in the distribution of electronic components. Based in Hongkong, we have already established firm and mutual-benefit business relationships with customers from,Europe,America and south Asia,supplying obsolete and hard-to-find components to meet their specific needs.

With the principle of “Quality Parts,Customers Priority,Honest Operation,and Considerate Service”,our business mainly focus on the distribution of electronic components. Line cards we deal with include Microchip,ALPS,ROHM,Xilinx,Pulse,ON,Everlight and Freescale. Main products comprise IC,Modules,Potentiometer,IC Socket,Relay,Connector.Our parts cover such applications as commercial,industrial, and automotives areas.

We are looking forward to setting up business relationship with you and hope to provide you with the best service and solution. Let us make a better world for our industry!



## Contact us

Tel: +86-755-8981 8866 Fax: +86-755-8427 6832

Email & Skype: info@chipsmall.com Web: www.chipsmall.com

Address: A1208, Overseas Decoration Building, #122 Zhenhua RD., Futian, Shenzhen, China

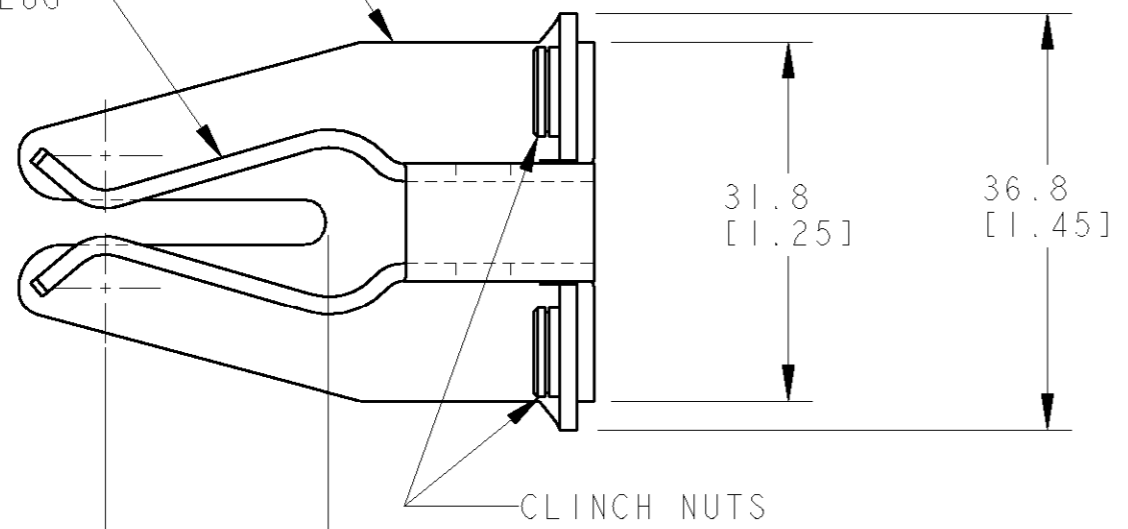


THIS DRAWING IS UNPUBLISHED. RELEASED FOR PUBLICATION 23MAR2001  
 © COPYRIGHT 22MAR2001 BY TYCO ELECTRONICS CORPORATION. ALL RIGHTS RESERVED.

LOC	DIST	REVISIONS			
P	LTR	DESCRIPTION	DATE	DWN	APVD
BG	0	0	RELEASE PER NPR	28MAR2001	JM JW

ANTI-OVERSTRESS PLATE

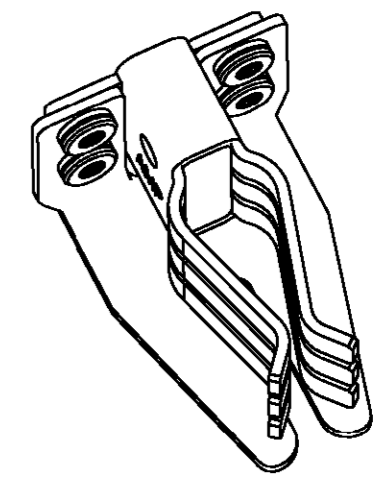
BUSPLUG



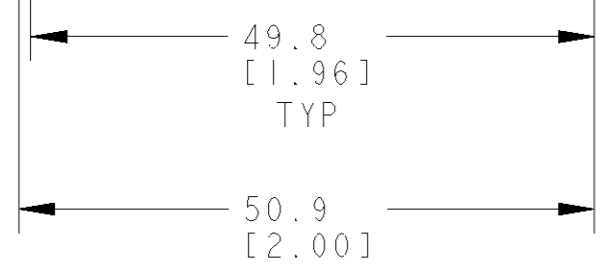
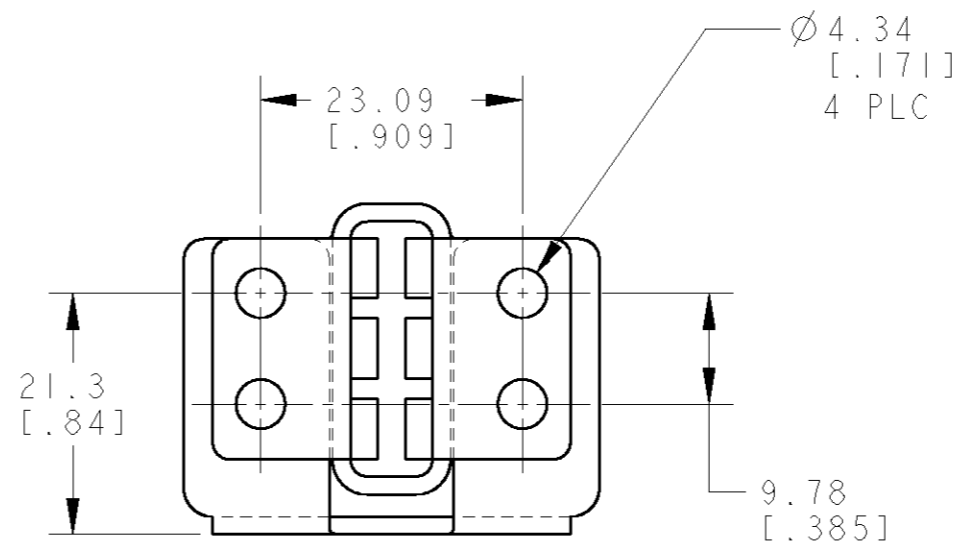
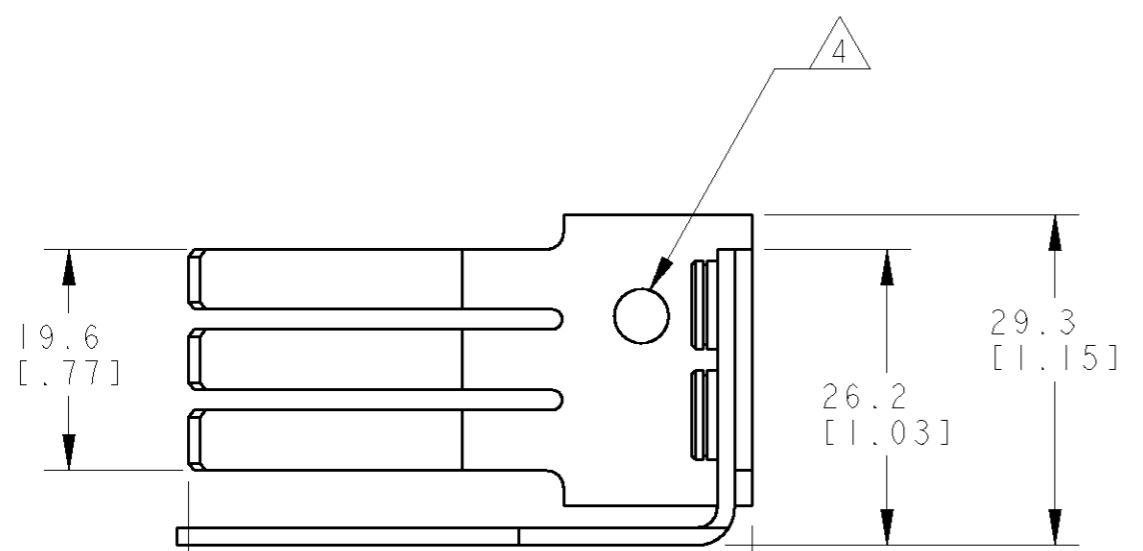
19.76  
[.778]  
2 PLC

- 1 ANTI-OVERTRESS PLATE & CLINCH NUTS: STAINLESS STEEL. BUSPLUG: COPPER ALLOY.
- 2 BUSPLUG: 6.35 MICROMETERS [.000250] MIN SILVER OVER 1.27 MICROMETERS [.000050] MIN NICKEL.
- 3. ALL DIMENSIONS ARE REFERENCE DIMENSIONS ONLY.
- 4 PART MAY HAVE HOLE IN THIS LOCATION, ON BOTH SIDES.

CLINCH NUTS



SCALE 1:1



1367369-1  
PART NUMBER

<small>THIS DRAWING IS A CONTROLLED DOCUMENT FOR TYCO ELECTRONICS CORPORATION. IT IS SUBJECT TO CHANGE AND THE CONTROLLING ENGINEERING ORGANIZATION SHOULD BE CONTACTED FOR THE LATEST REVISION.</small>		DWN 26JAN2001 J.J. MILLER CHK 26JAN2001 J. WESTMAN APVD 29JAN2001 J. WESTMAN		Tyco Electronics Harrisburg, PA 17105-3608	
DIMENSIONS: mm [INCH]		TOLERANCES UNLESS OTHERWISE SPECIFIED:		NAME ASSEMBLY, CONNECTOR, SELF CLINCHING NUTS AND ANTI-OVERSTRESS PLATE	
		0 PLC ± 1 PLC ± 2 PLC ±0.02 3 PLC ±0.005 4 PLC ± ANGLES ±		PRODUCT SPEC 108-1101 APPLICATION SPEC 114-02111	
MATERIAL 1		FINISH 2		SIZE CAGE CODE DRAWING NO RESTRICTED TO A3 00779 C-1367369 -	
CUSTOMER DRAWING				SCALE 3:2 SHEET 1 OF 1 REV 0	