



Chipsmall Limited consists of a professional team with an average of over 10 year of expertise in the distribution of electronic components. Based in Hongkong, we have already established firm and mutual-benefit business relationships with customers from,Europe,America and south Asia,supplying obsolete and hard-to-find components to meet their specific needs.

With the principle of “Quality Parts,Customers Priority,Honest Operation,and Considerate Service”,our business mainly focus on the distribution of electronic components. Line cards we deal with include Microchip,ALPS,ROHM,Xilinx,Pulse,ON,Everlight and Freescale. Main products comprise IC,Modules,Potentiometer,IC Socket,Relay,Connector.Our parts cover such applications as commercial,industrial, and automotives areas.

We are looking forward to setting up business relationship with you and hope to provide you with the best service and solution. Let us make a better world for our industry!



Contact us

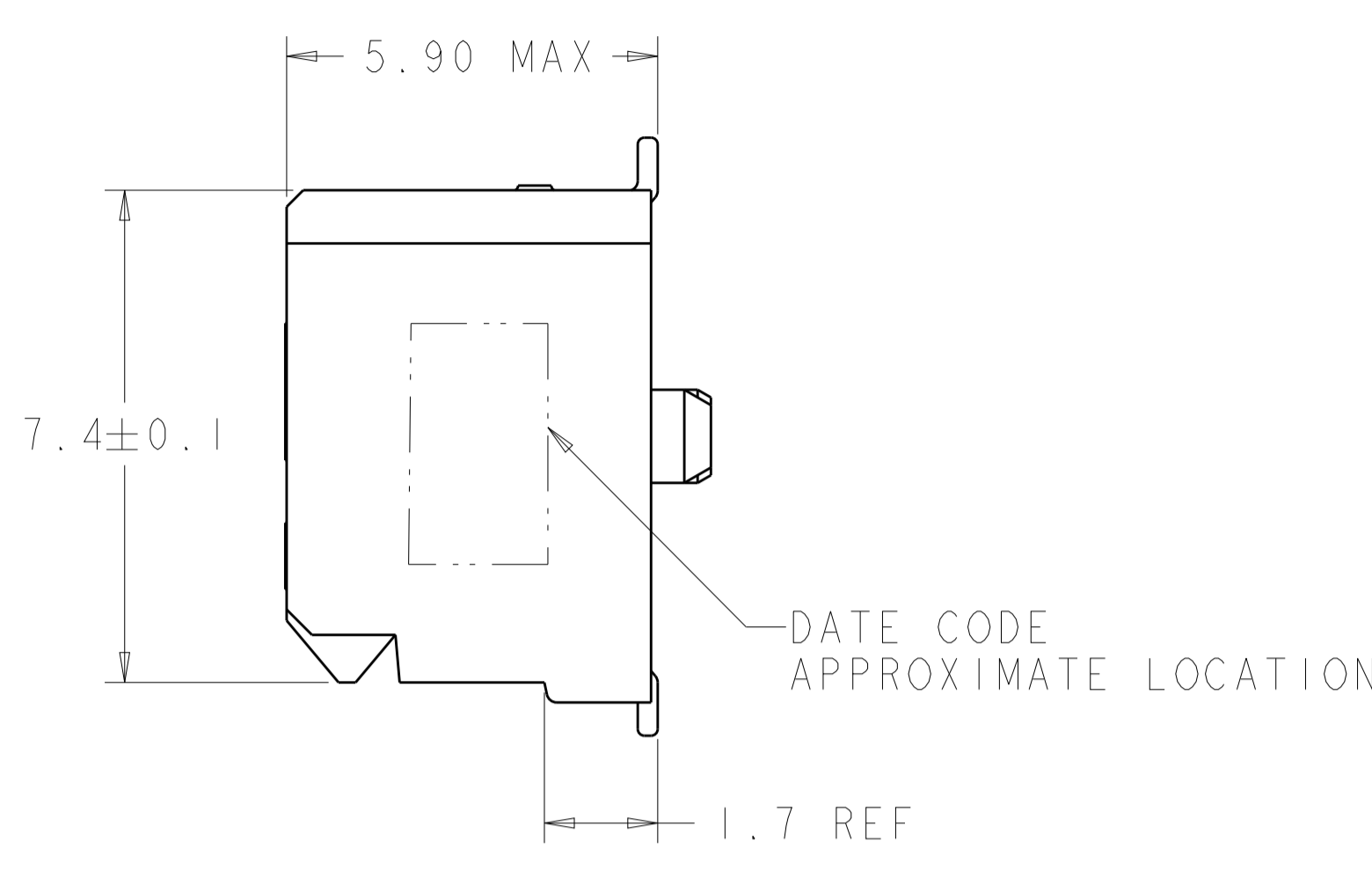
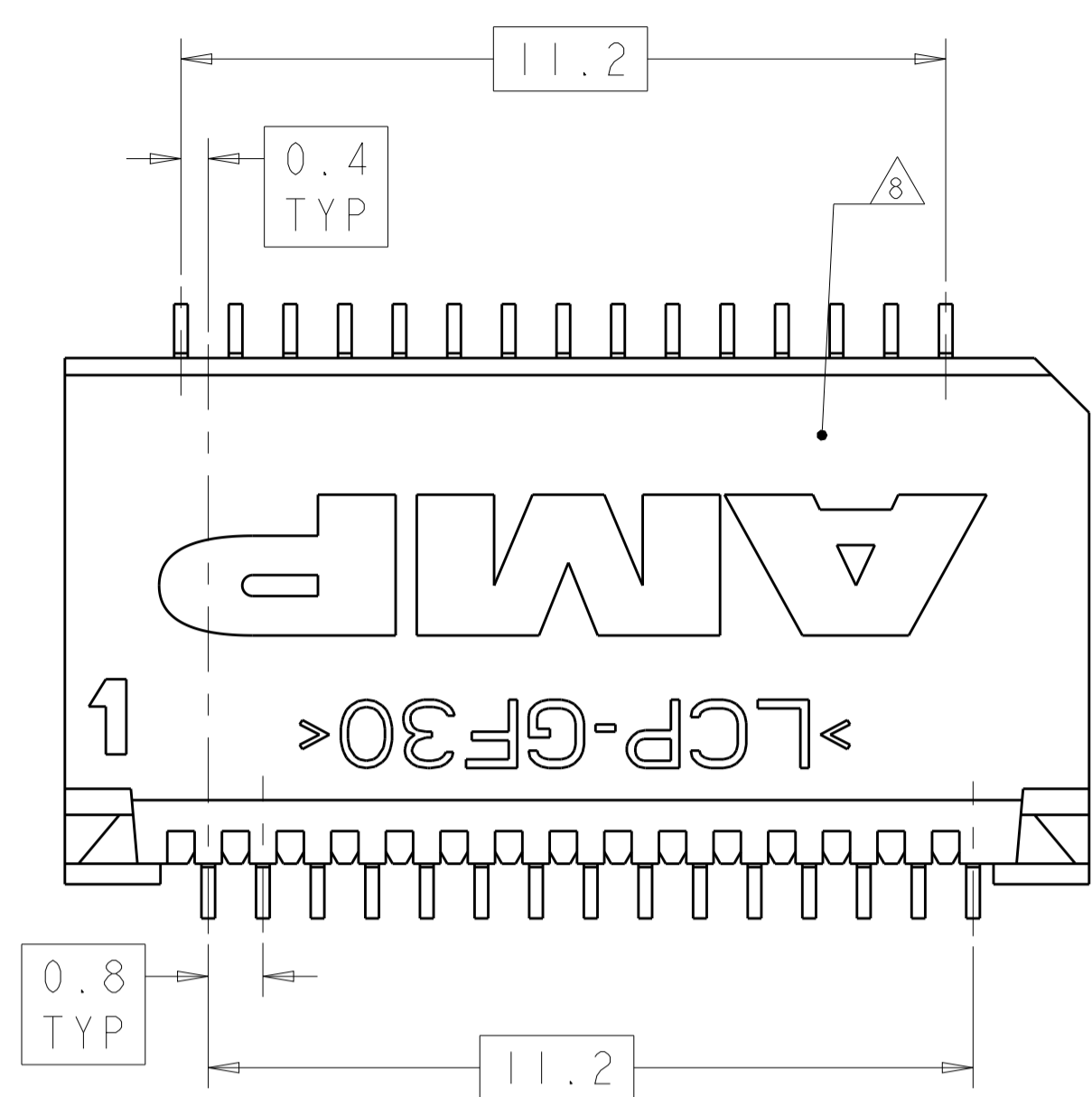
Tel: +86-755-8981 8866 Fax: +86-755-8427 6832

Email & Skype: info@chipsmall.com Web: www.chipsmall.com

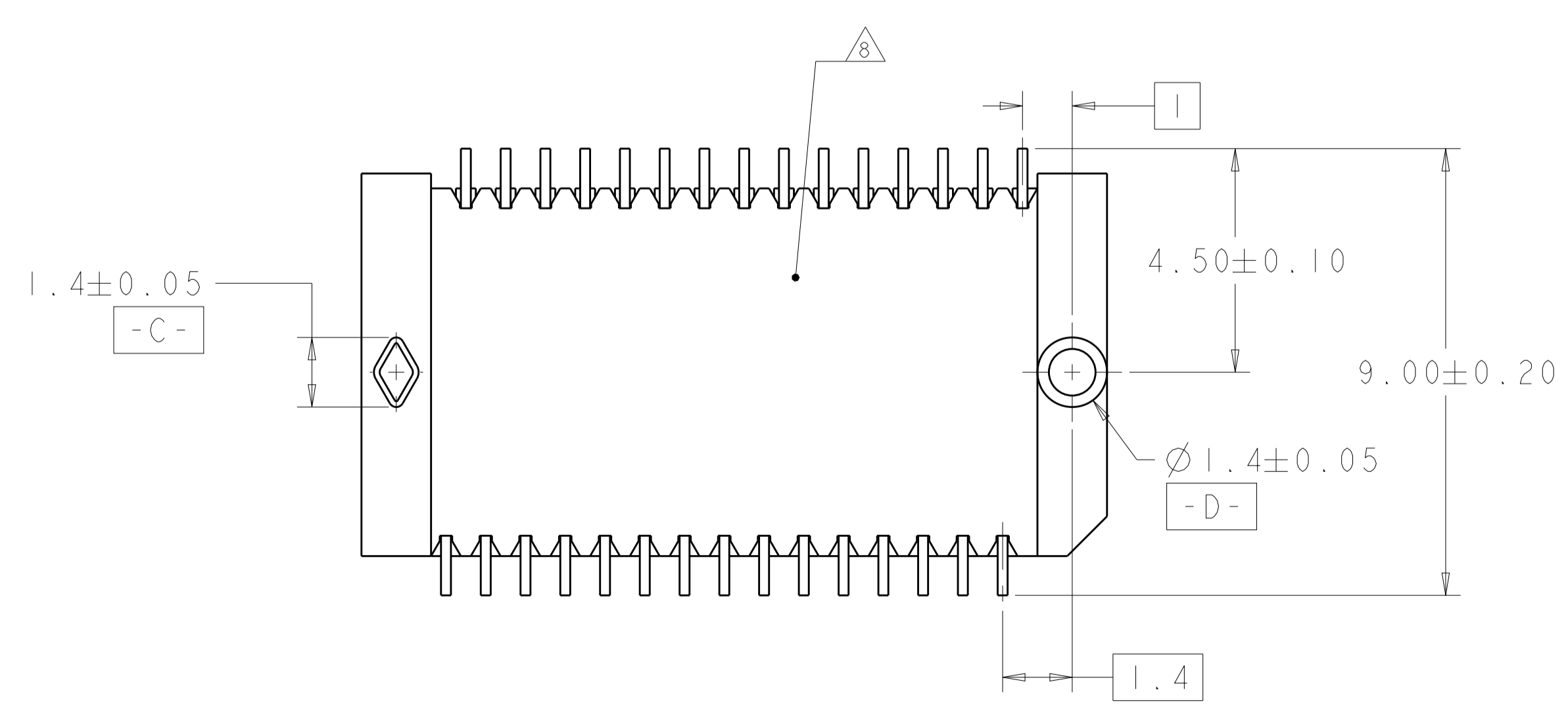
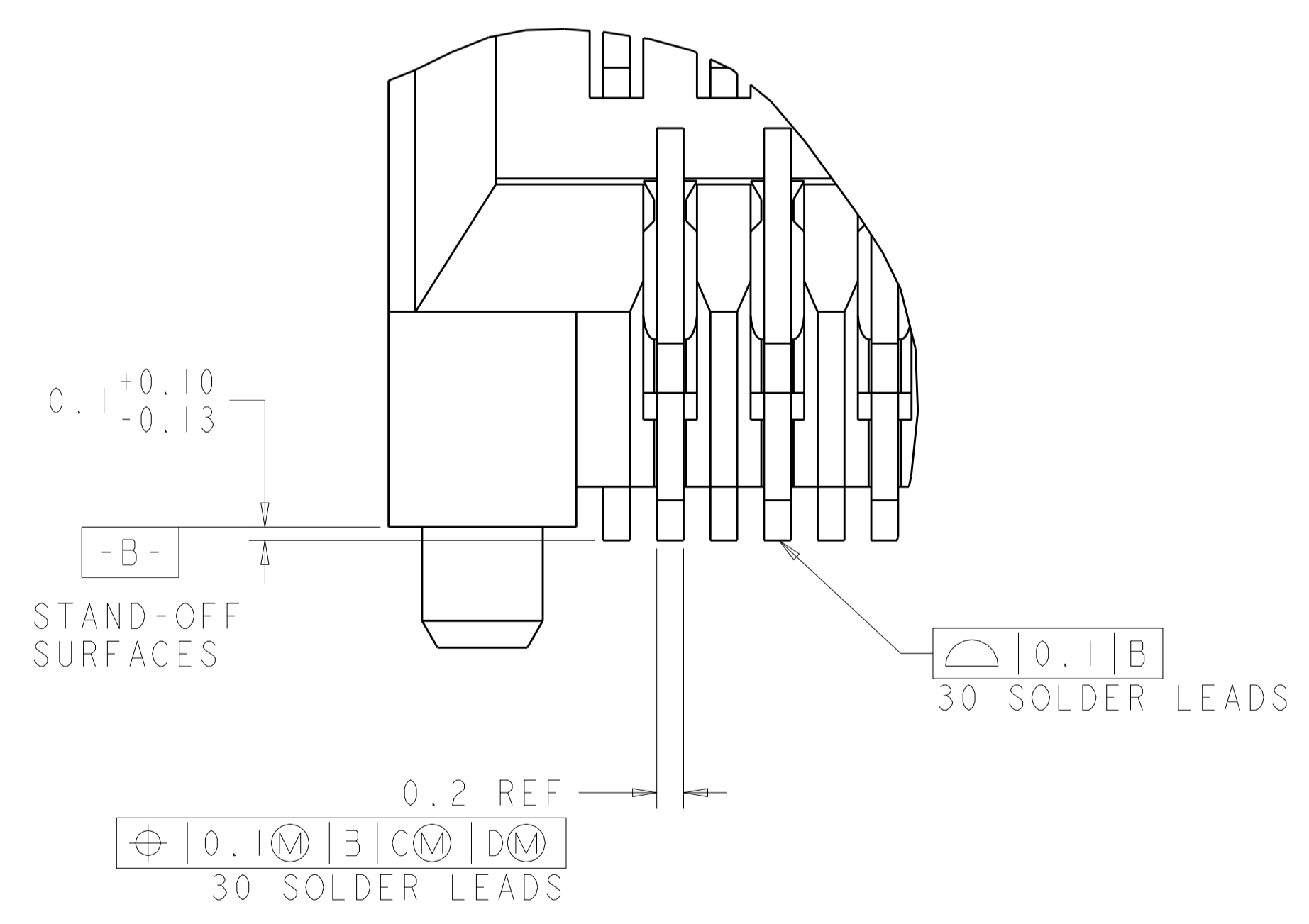
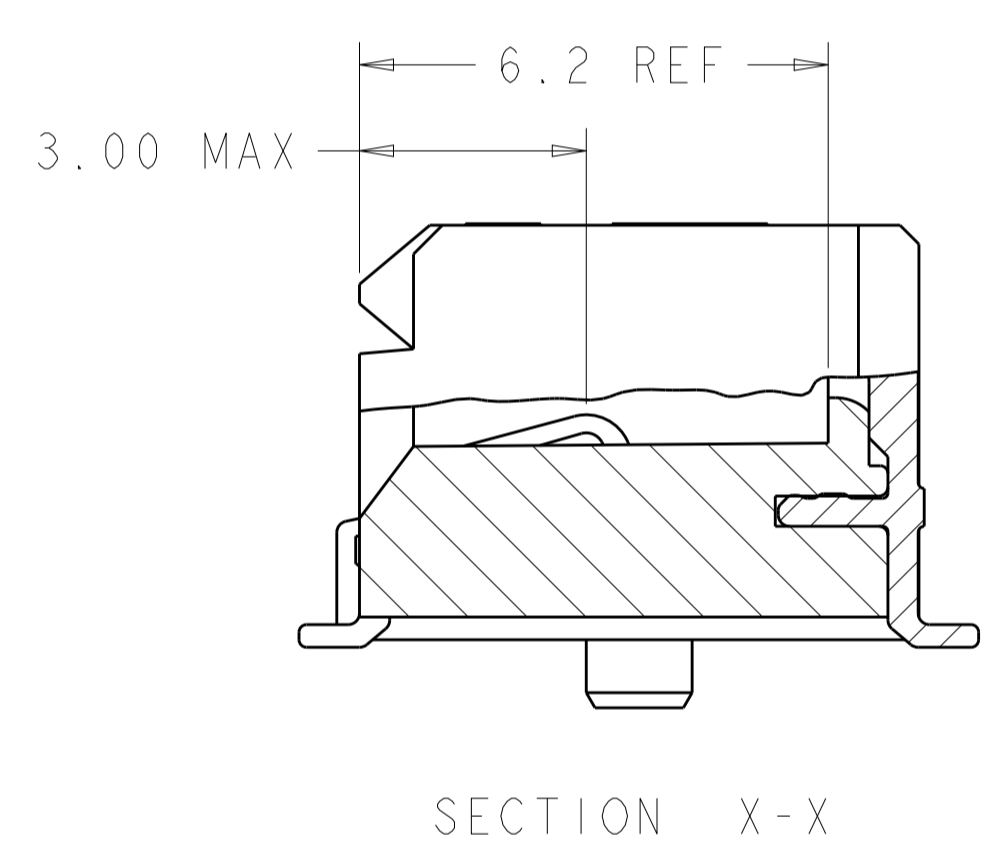
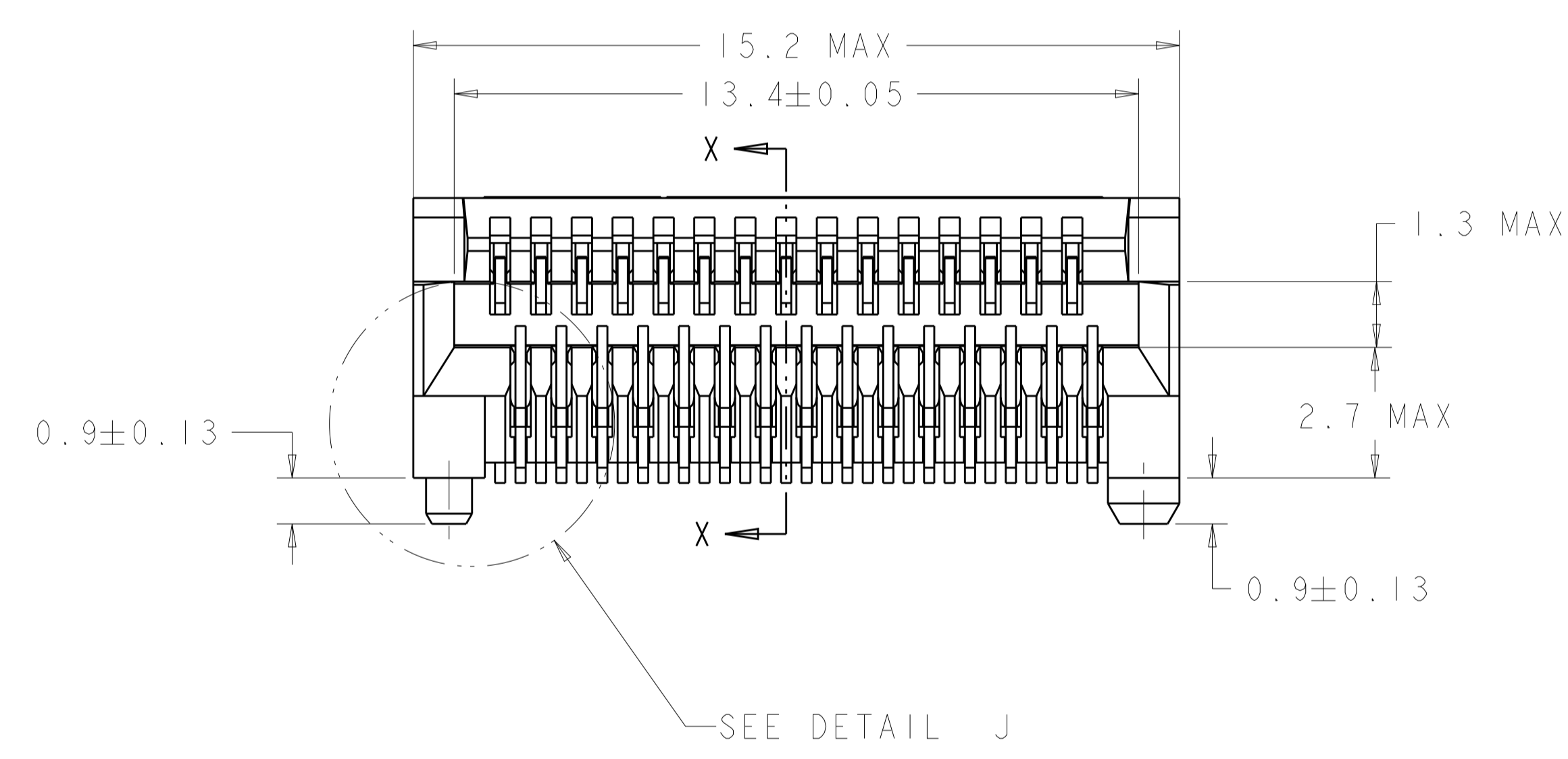
Address: A1208, Overseas Decoration Building, #122 Zhenhua RD., Futian, Shenzhen, China



LOC	DIST	REV	DATE	BY	CHKD	APVD
ES	00	K	16 JUL 2012	AZ	AC	



- PART COMPATIBLE WITH XFP MSA. REFER TO THE XFP MSA FOR DIMENSIONS NOT SHOWN ON THIS PRINT.
- HOUSING MATERIAL: HIGH TEMPERATURE LCP, UL 94V-0 COLOR WHITE
CONTACT MATERIAL: PHOSPHOR BRONZE
- CONTACTS: 0.00076 MIN GOLD IN CONTACT AREA, 0.00013 MIN GOLD ON SOLDER AREA, OVER 0.0038 MIN NICKEL UNDERPLATE ON ENTIRE CONTACT. LUBRICANT ON GOLD PLATE CONTACT AREAS.
- PACKAGED 480 PIECES PER REEL
- GROUND, POWER, AND SIGNAL PAD ARRANGEMENT TO BE DETERMINED BY CUSTOMER
- DATUMS AND BASIC DIMENSIONS TO BE ESTABLISHED BY CUSTOMER
- SOLDER MASK KEEP OUT AREA.
- PULL GROOVES PERMITTED ON THESE SURFACES AT MOLDING ENGINEERING DISCRETION



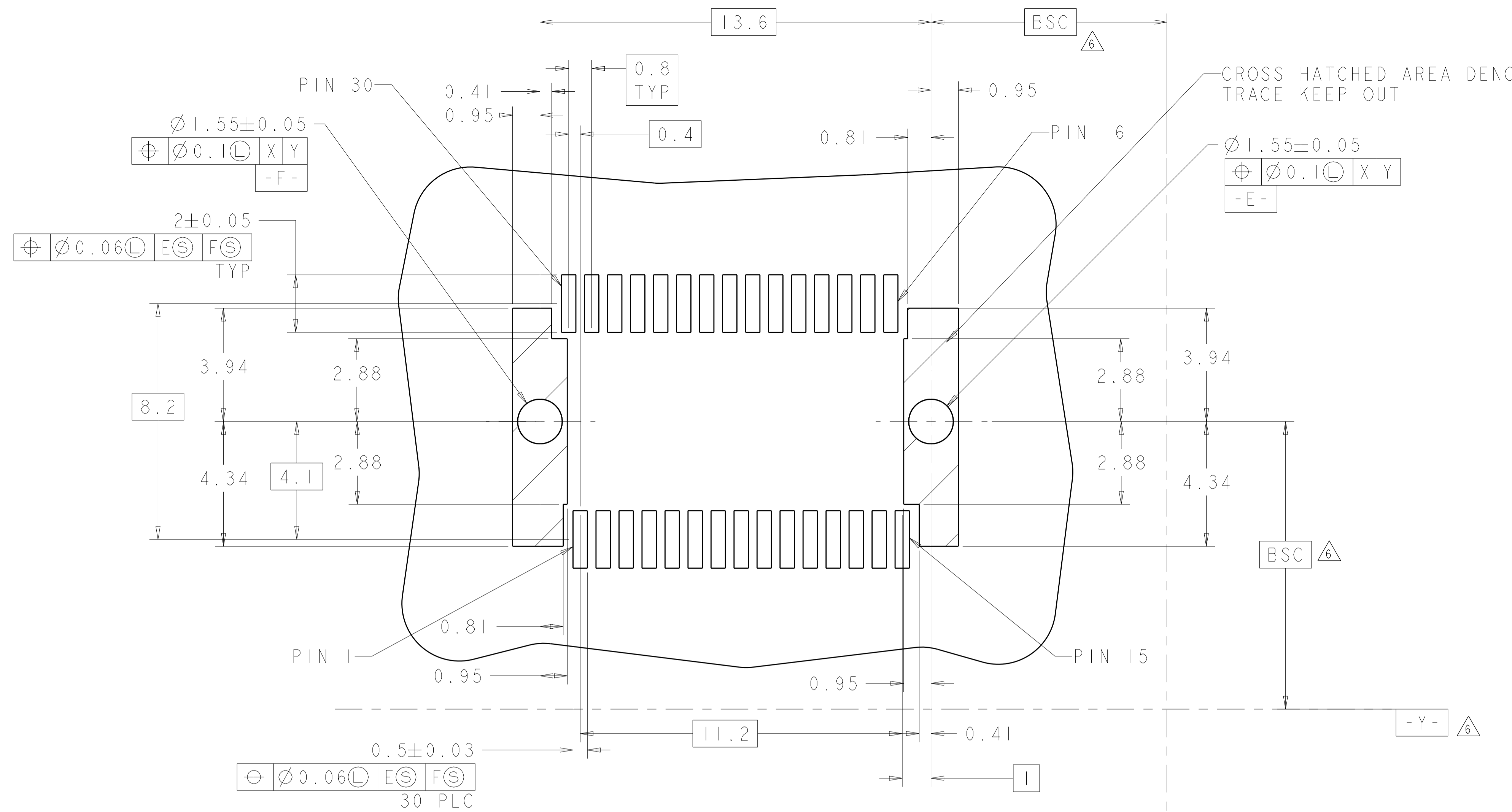
DETAIL J
SCALE 25:1

YES	1367500-2
NO	1367500-1
DATE CODE	PART NUMBER

DIMENSIONS: mm TOLERANCES UNLESS OTHERWISE SPECIFIED: 0 PLC ± 1 PLC ±0.10 2 PLC ± 3 PLC ± 4 PLC ± ANGLES ± FINISH ±		DWN P. KERLIN 17JAN03 CHK J. KOPPENHEFFER APVD M. WALMSLEY 06OCT03 PRODUCT SPEC 108-1949 APPLICATION SPEC 114-13017 WEIGHT CUSTOMER DRAWING	Tyco Electronics Corporation Shanghai, P.R. China, 200233 NAME PT CONNECTOR ASSEMBLY, ENHANCED PERFORMANCE, 30 POSITION XFP, RTANG, 0.8MM PITCH SIZE CAGE CODE DRAWING NO A 100779 C=1367500 SCALE 10:1 SHEET 1 OF 3 REV K
---	--	---	---

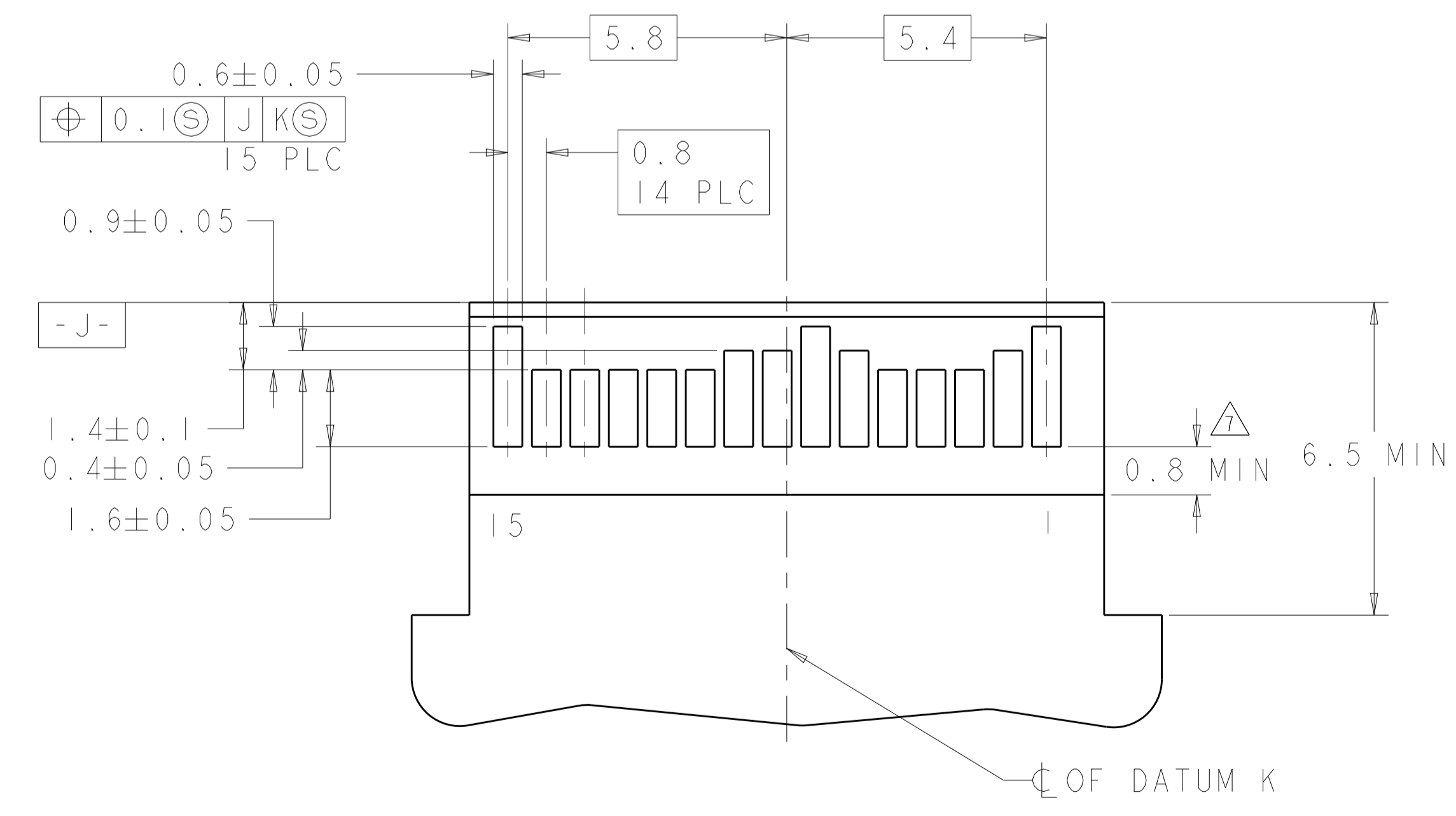
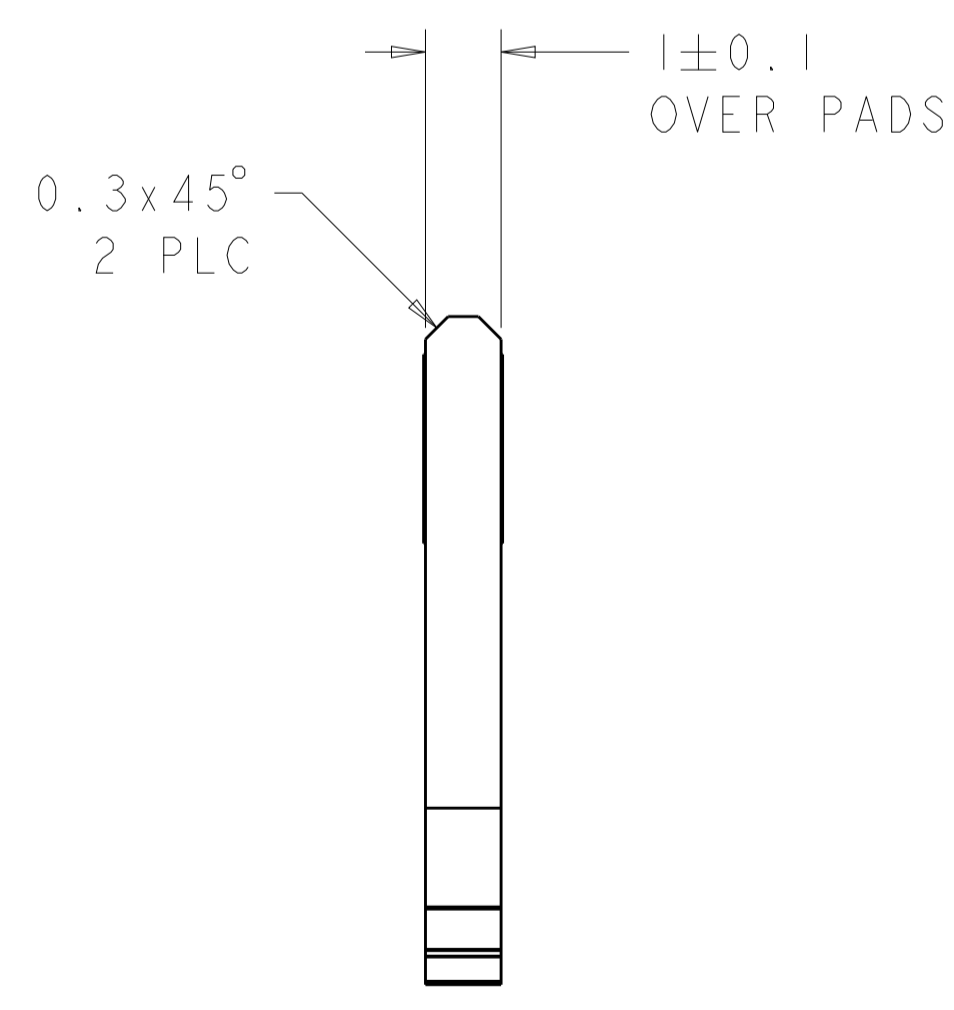
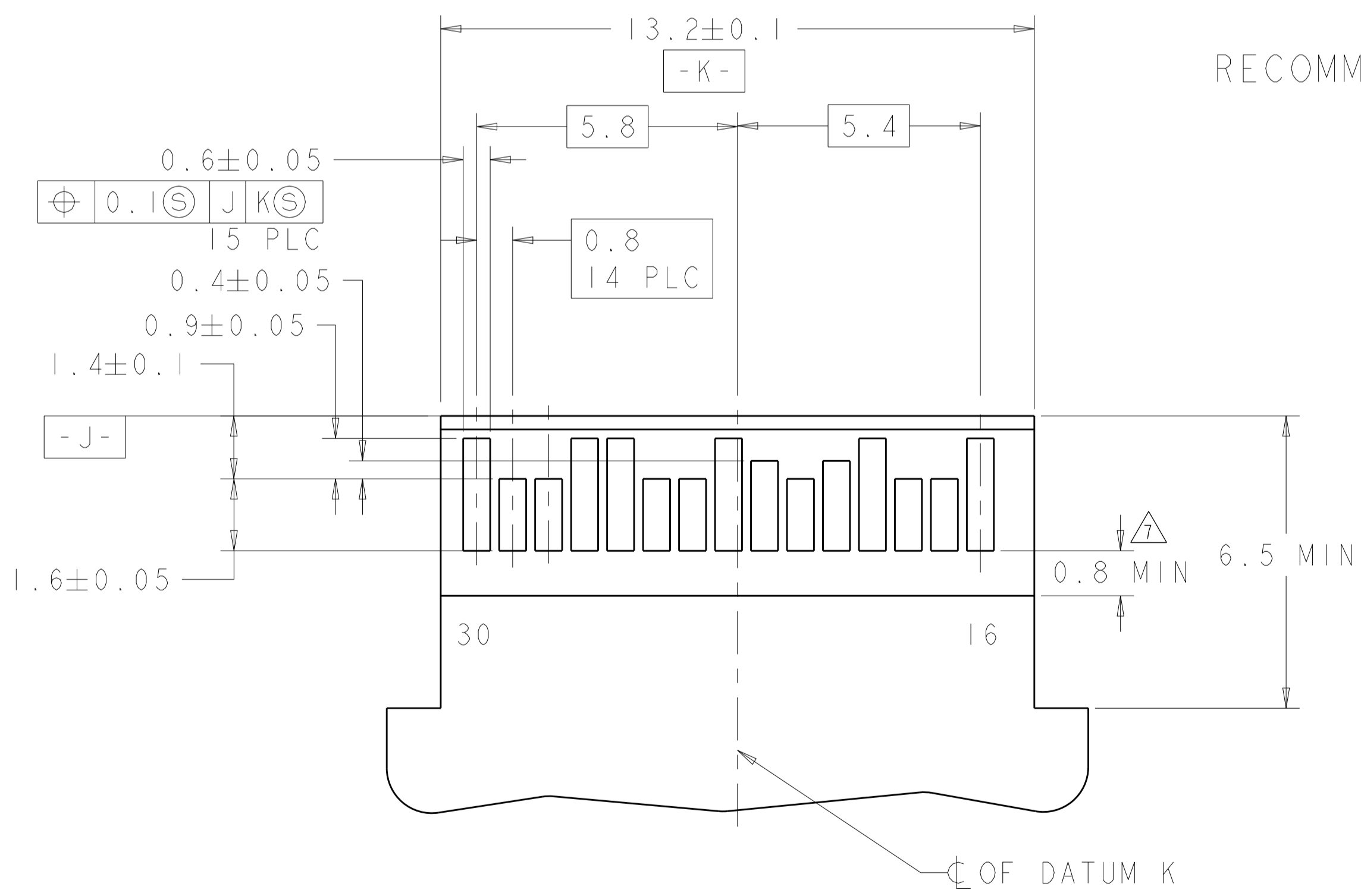
LOC	DIST	REV	DATE	BY	APPV
ES	00				

REVISIONS			
REV	DATE	BY	APPV
-	-	-	-
-	-	-	-



CROSS HATCHED AREA DENOTES TRACE KEEP OUT

RECOMMENDED PCB CONFIGURATION



TOP VIEW

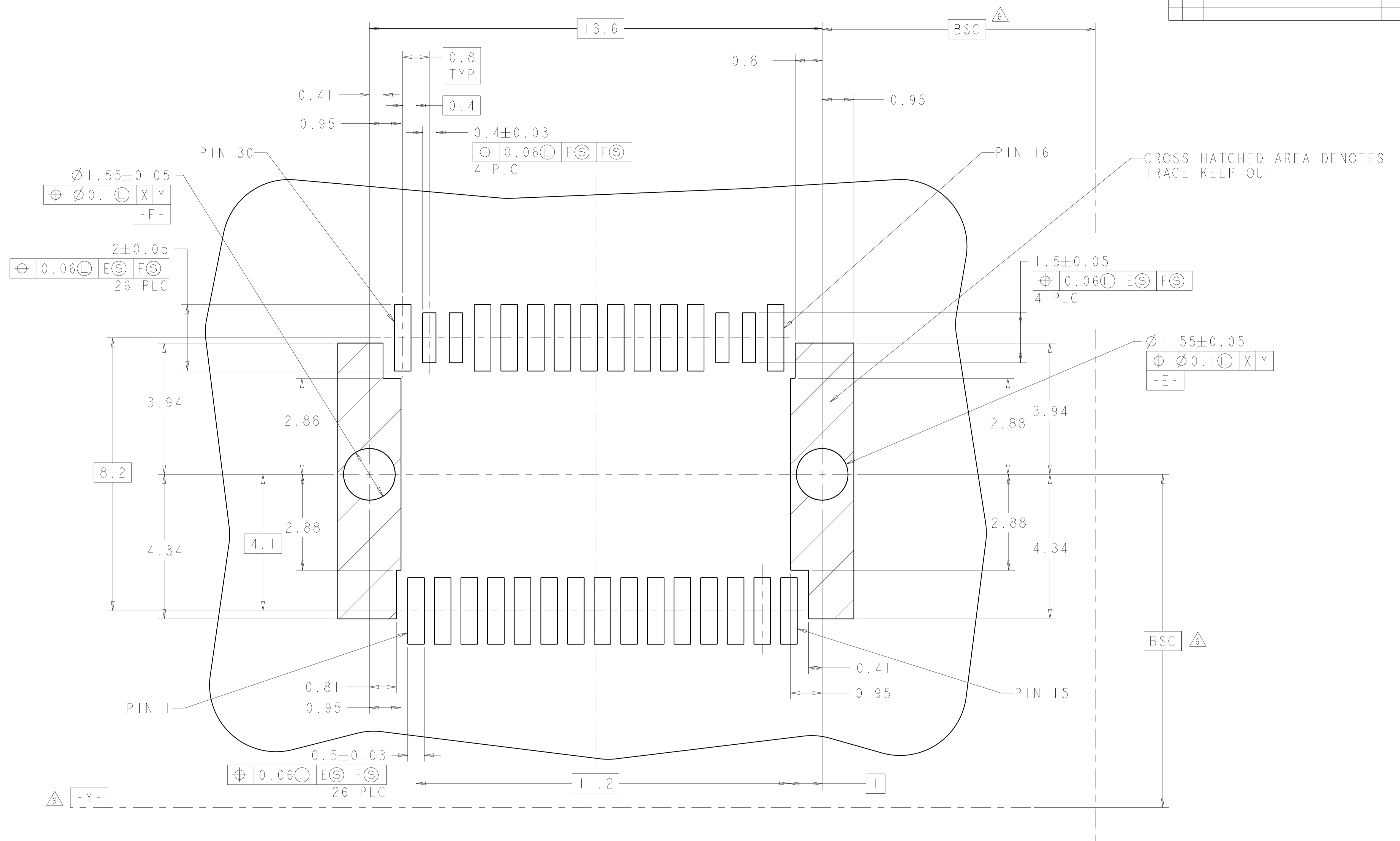
RECOMMENDED MATING PCB CONFIGURATION

BOTTOM VIEW

DIMENSIONS: mm 		TOLERANCES UNLESS OTHERWISE SPECIFIED: 0 PLC ± 1 PLC ±0.10 2 PLC ± 3 PLC ± 4 PLC ± ANGLES ±		DWN P. KERLIN 17JAN03 CHK J. KOPPENHEFFER 06OCT03 APVD M. WALMSLEY 06OCT03 PRODUCT SPEC 108-1949 APPLICATION SPEC 114-13017 WEIGHT CUSTOMER DRAWING		Tyco Electronics Corporation Shanghai, P.R. China, 200233 NAME PT CONNECTOR ASSEMBLY, ENHANCED PERFORMANCE, 30 POSITION XFP, RTANG, 0.8MM PITCH SIZE CAGE CODE DRAWING NO RESTRICTED TO A100779C=1367500 SCALE 10:1 SHEET 2 OF 3 REV K	
-----------------------	--	---	--	---	--	---	--

LOC	DIST	REV	DATE	BY	APPV
ES	00				

REVISIONS			
NO.	DESCRIPTION	DATE	BY
-	SEE SHEET 1	-	-



OPTIONAL LAYOUT FOR IMPROVED
 SIGNAL INTEGRITY, MOUNTING SIDE
 SCALE 16:1

<small>THIS DRAWING IS UNPUBLISHED. IT IS THE PROPERTY OF TYCO ELECTRONICS CORPORATION. IT IS SUBJECT TO CHANGE AND SHOULD NOT BE REPRODUCED OR DISTRIBUTED WITHOUT THE WRITTEN PERMISSION OF TYCO ELECTRONICS CORPORATION.</small>		DWN: P. KERLIN 17JAN03 CHK: J. KOPPENHEFFER 06OCT03 APVD: M. WALMSLEY 06OCT03	Tyco Electronics Corporation Shanghai, P.R. China, 200233
DIMENSIONS: mm 	TOLERANCES UNLESS OTHERWISE SPECIFIED: 0 PLC ± 1 PLC ±0.10 2 PLC ± 3 PLC ± 4 PLC ± ANGLES ± FINISH	NAME: PT CONNECTOR ASSEMBLY, ENHANCED PERFORMANCE, 30 POSITION XFP, RTANG, 0.8MM PITCH PRODUCT SPEC: 108-1949 APPLICATION SPEC: 114-13017 WEIGHT: - CUSTOMER DRAWING	SIZE: A CAGE CODE: 1367500 SCALE: 10:1 SHEET: 3 OF 3 REV: K