



Chipsmall Limited consists of a professional team with an average of over 10 year of expertise in the distribution of electronic components. Based in Hongkong, we have already established firm and mutual-benefit business relationships with customers from,Europe,America and south Asia,supplying obsolete and hard-to-find components to meet their specific needs.

With the principle of “Quality Parts,Customers Priority,Honest Operation,and Considerate Service”,our business mainly focus on the distribution of electronic components. Line cards we deal with include Microchip,ALPS,ROHM,Xilinx,Pulse,ON,Everlight and Freescale. Main products comprise IC,Modules,Potentiometer,IC Socket,Relay,Connector.Our parts cover such applications as commercial,industrial, and automotives areas.

We are looking forward to setting up business relationship with you and hope to provide you with the best service and solution. Let us make a better world for our industry!



Contact us

Tel: +86-755-8981 8866 Fax: +86-755-8427 6832

Email & Skype: info@chipsmall.com Web: www.chipsmall.com

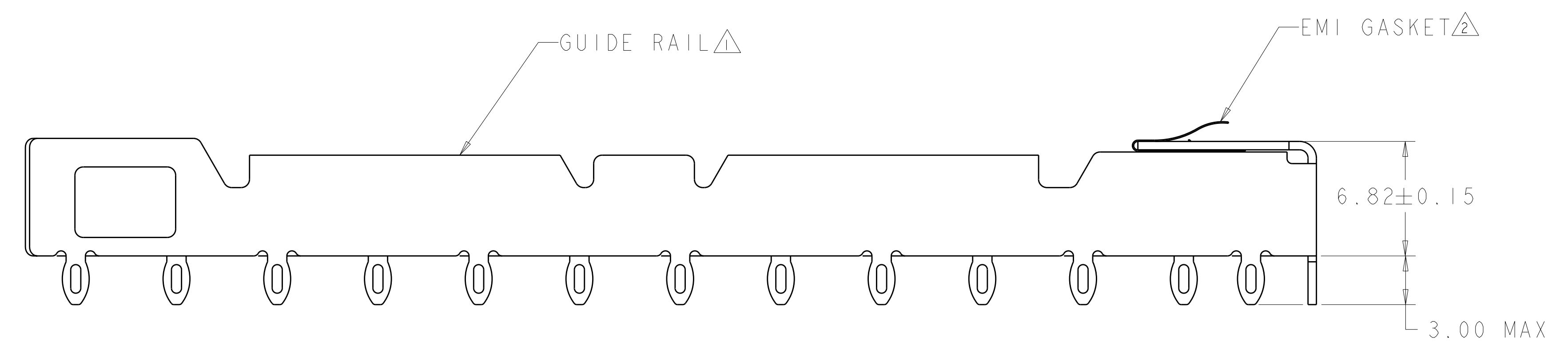
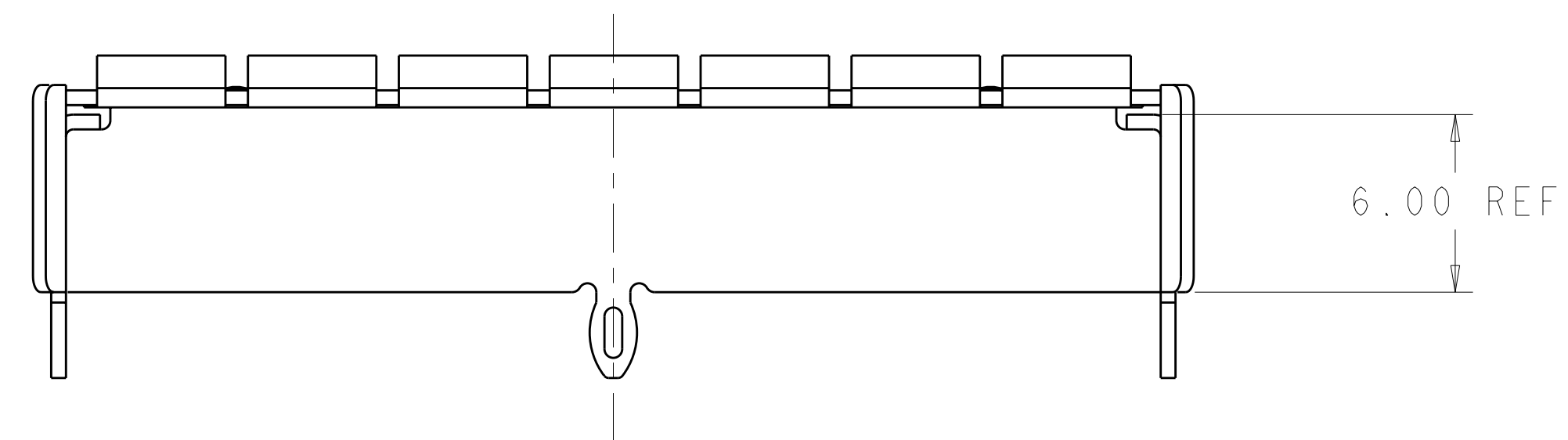
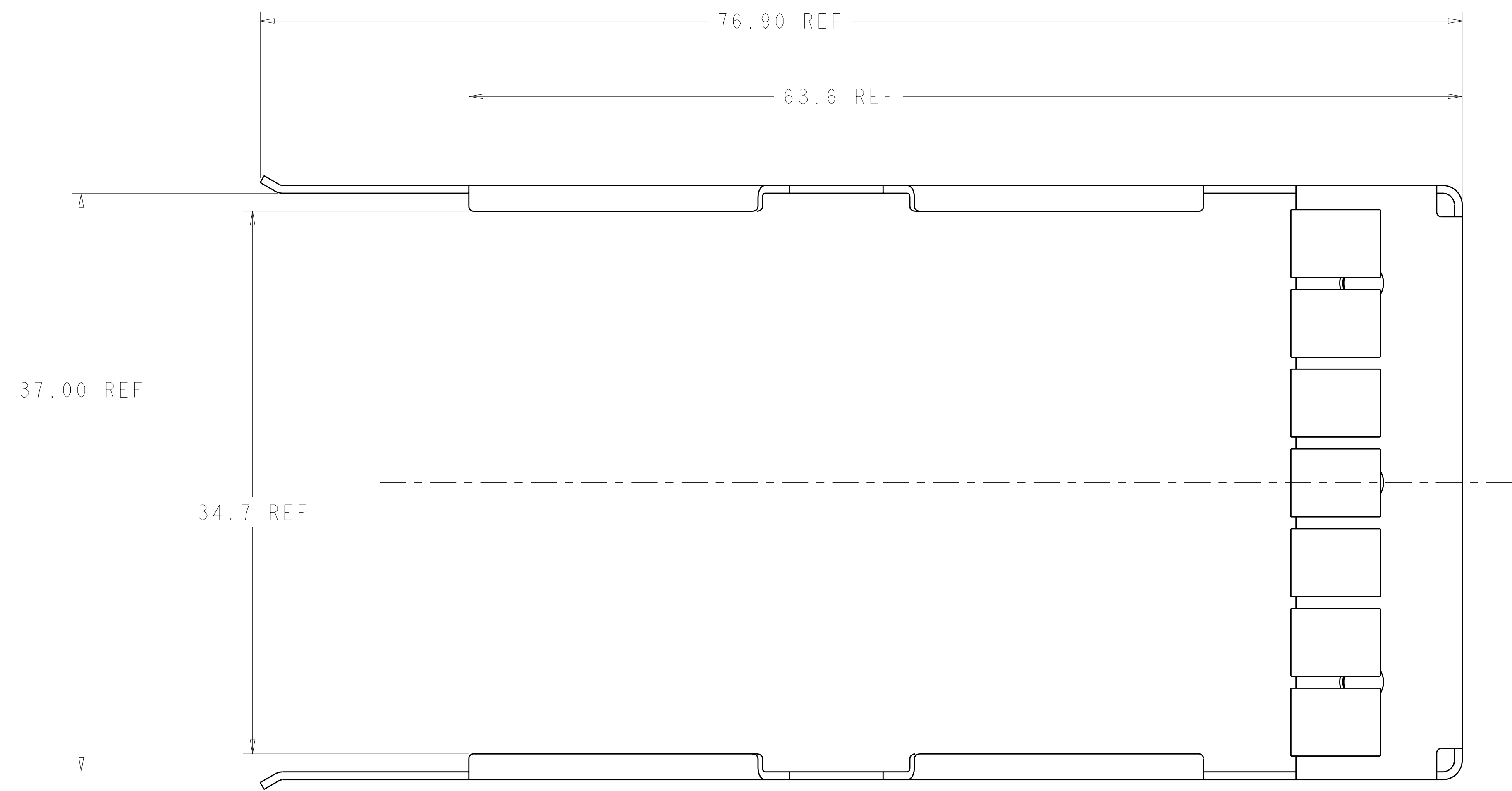
Address: A1208, Overseas Decoration Building, #122 Zhenhua RD., Futian, Shenzhen, China



LOC	DIST	REV	DATE	BY	CHK	APPV
AG	00					

REV	DATE	DESCRIPTION	DATE	BY	CHK	APPV
5	11JUL2006	Ø 1.55 ± 0.02 WAS Ø 1.45 ± 0.02				
A	11APR07	RELEASED PER ECO-07-007698				

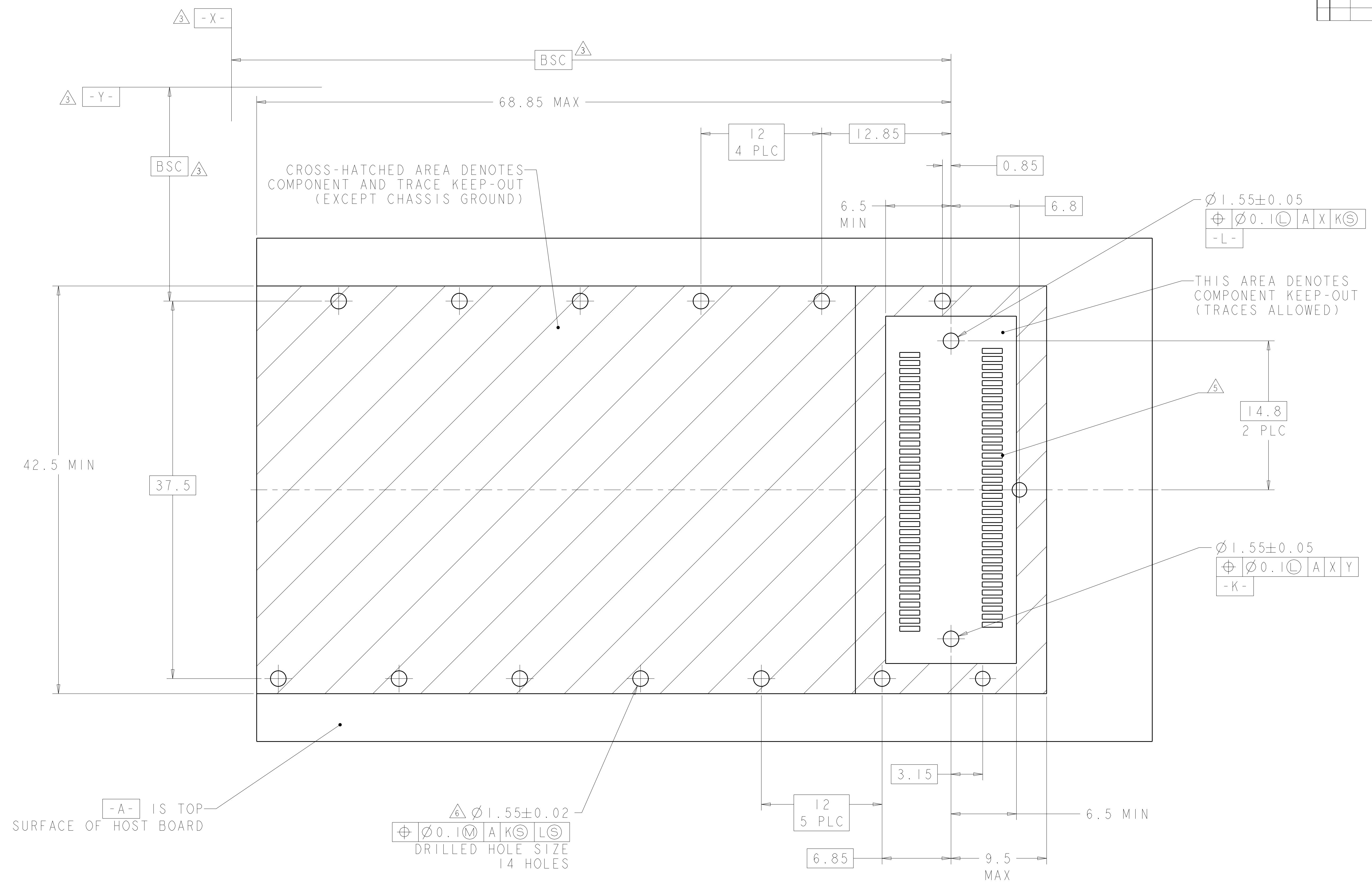
- 1. GUIDE RAIL MATERIAL: COPPER ALLOY
 GUIDE RAIL FINISH: 0.4 MICROMETERS MIN THK TIN COATING
- 2. EMI GASKET MATERIAL: COPPER ALLOY
 EMI GASKET PLATING: 2 MICROMETERS MIN THK TIN PLATE
- 3. DATUMS X AND Y AND BSC DIMENSIONS TO BE ESTABLISHED BY CUSTOMER
- 4. DESIGN ACCEPTS MODULES THAT ARE COMPLIANT WITH X2 SPECIFICATION REV 2.0b
- 5. SEE CUSTOMER DRAWING 1367337-1 FOR CONNECTOR PAD DIMENSIONS
- 6. RECOMMENDATION FOR P.C. BOARD HOLES:
 COPPER UNDERPLATE, 25-50 MICROMETERS THICK, FOLLOWED BY ANY OF THESE SURFACE FINISHES:
 - A. HASL SnPb: 35 MICROMETERS MAX THK
 - B. GALVANIC Au: 4-5 MICROMETERS Ni + 0.1-0.5 MICROMETERS Au
 - C. OSP: 0.2-0.5 MICROMETERS THK
 - D. IMMERSION Sn: 0.5 MICROMETERS MIN THK
 - E. IMMERSION Au: 4-5 MICROMETERS Ni + 0.1-0.5 MICROMETERS Au
 - F. IMMERSION Ag: 0.1-0.3 MICROMETERS
- 7. BARE EDGES PERMITTED
- 8. BEZEL REQUIREMENTS PER X2 MSA
- 9. REFERENCE INSTRUCTION SHEET 408-8997 FOR ADDITIONAL INFORMATION.



1367610-1
 PART NUMBER

DIMENSIONS: mm TOLERANCES UNLESS OTHERWISE SPECIFIED: 0 PLC ±0.5 1 PLC ±0.2 2 PLC ±0.1 3 PLC ± 4 PLC ± ANGLES ± FINISH ±		DWN P. KERLIN 20APR2004 CHK E. BRIGHT 20APR2004 APVD E. BRIGHT 20APR2004 PRODUCT SPEC APPLICATION SPEC WEIGHT CUSTOMER DRAWING	Tyco Electronics Harrisburg, PA 17105-3608 NAME: RAIL ASSY, GUIDE, X2, BEZEL MOUNT SIZE: A CAGE CODE: 00779 DRAWING NO: 1367610 SCALE: 5:1 SHEET: 1 OF 2 REV: A
--	--	--	---

LOC	DIST	REV	DATE	BY	APPD
AG	00				
DESCRIPTION			DATE	BY	APPD
SEE SHEET 1					



RECOMMENDED P.C. BOARD LAYOUT

DIMENSIONS:		TOLERANCES UNLESS OTHERWISE SPECIFIED:		MATERIAL:		FINISH:	
mm	9 PLC	±					
	1 PLC	±					
	2 PLC	±					
	3 PLC	±					
	4 PLC	±					
	5 PLC	±					
	ANGLES	±					

OWN	P. KERLIN	20APR2004		Tyco Electronics		
CHK	E. BRIGHT	20APR2004		Harrisburg, PA 17105-3608		
APPD	F. BRIGHT	20APR2004		NAME		
PRODUCT SPEC				RAIL ASSY, GUIDE, X2, BEZEL MOUNT		
APPLICATION SPEC			SIZE	CAGE CODE	DRAWING NO	RESTRICTED TO
WEIGHT			A	00779	C=1367610	
CUSTOMER DRAWING			SCALE	5:1	SHEET	2 OF 2
			REV	A		