



Chipsmall Limited consists of a professional team with an average of over 10 year of expertise in the distribution of electronic components. Based in Hongkong, we have already established firm and mutual-benefit business relationships with customers from,Europe,America and south Asia,supplying obsolete and hard-to-find components to meet their specific needs.

With the principle of “Quality Parts,Customers Priority,Honest Operation,and Considerate Service”,our business mainly focus on the distribution of electronic components. Line cards we deal with include Microchip,ALPS,ROHM,Xilinx,Pulse,ON,Everlight and Freescale. Main products comprise IC,Modules,Potentiometer,IC Socket,Relay,Connector.Our parts cover such applications as commercial,industrial, and automotives areas.

We are looking forward to setting up business relationship with you and hope to provide you with the best service and solution. Let us make a better world for our industry!



## Contact us

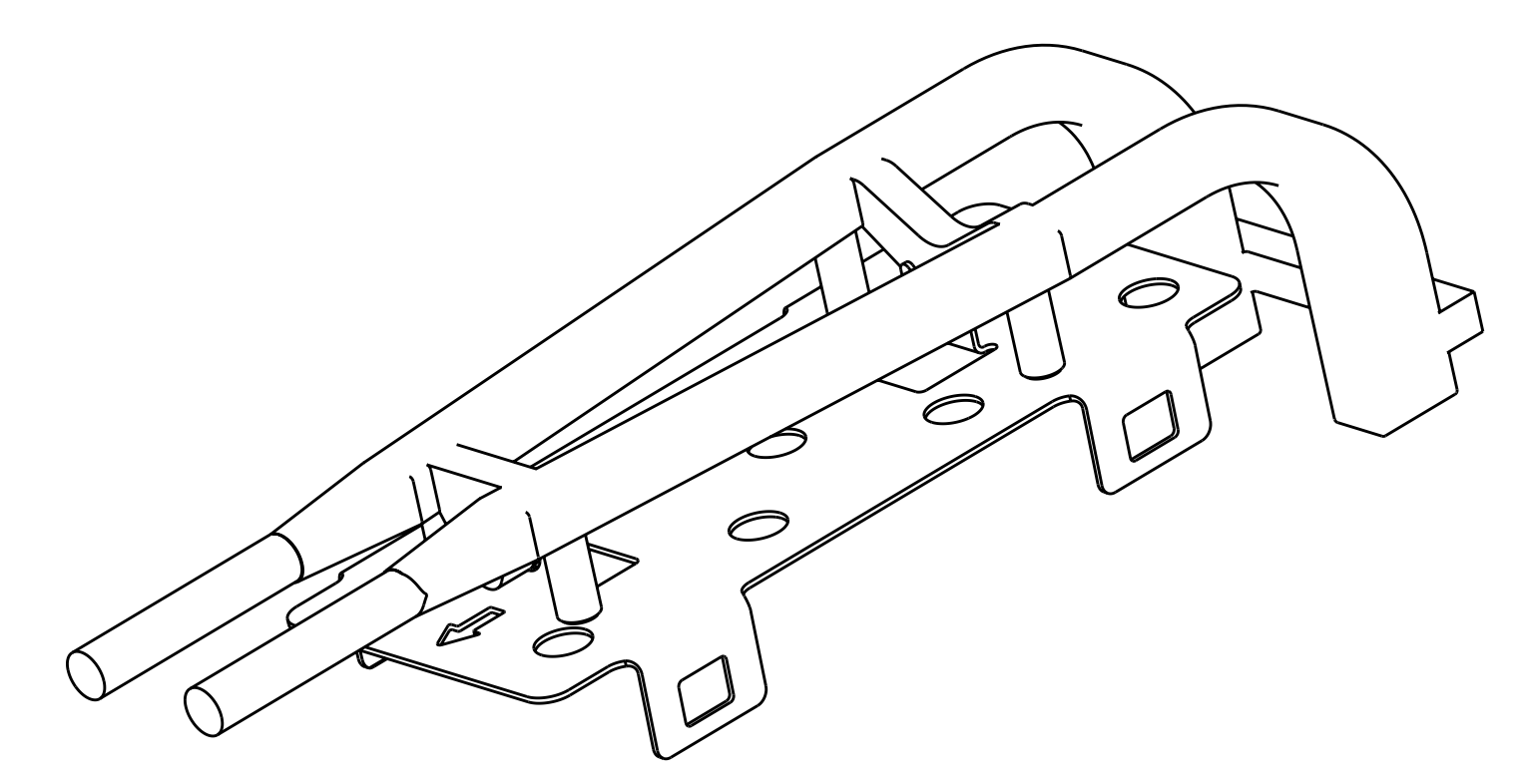
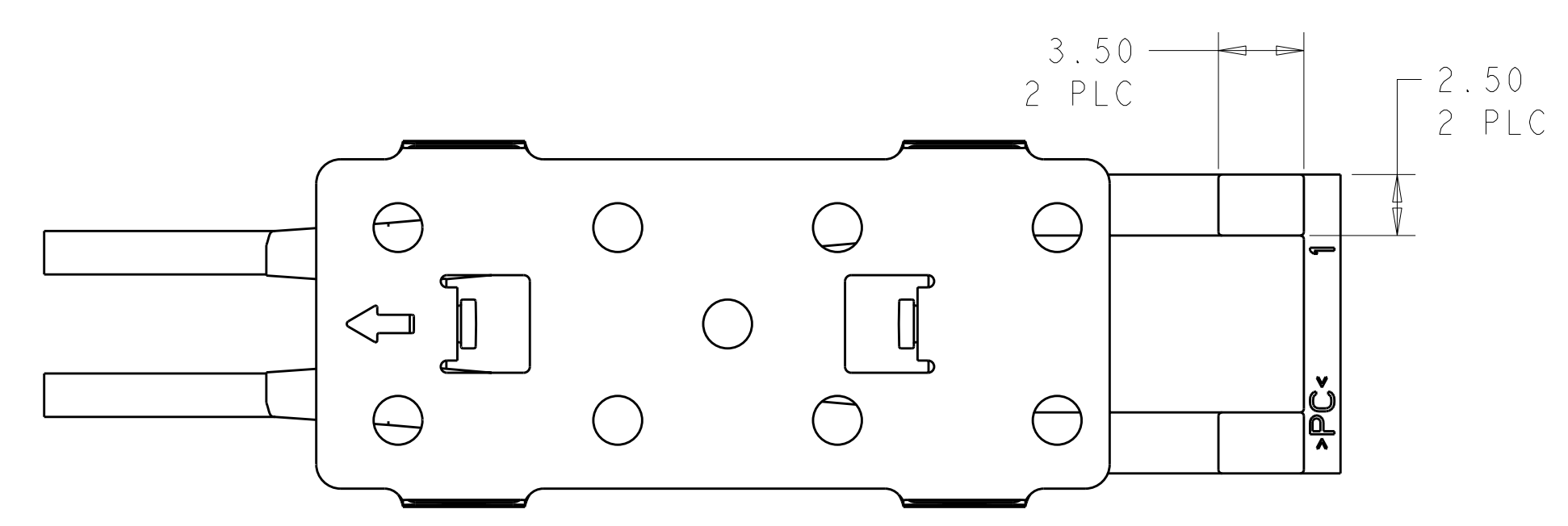
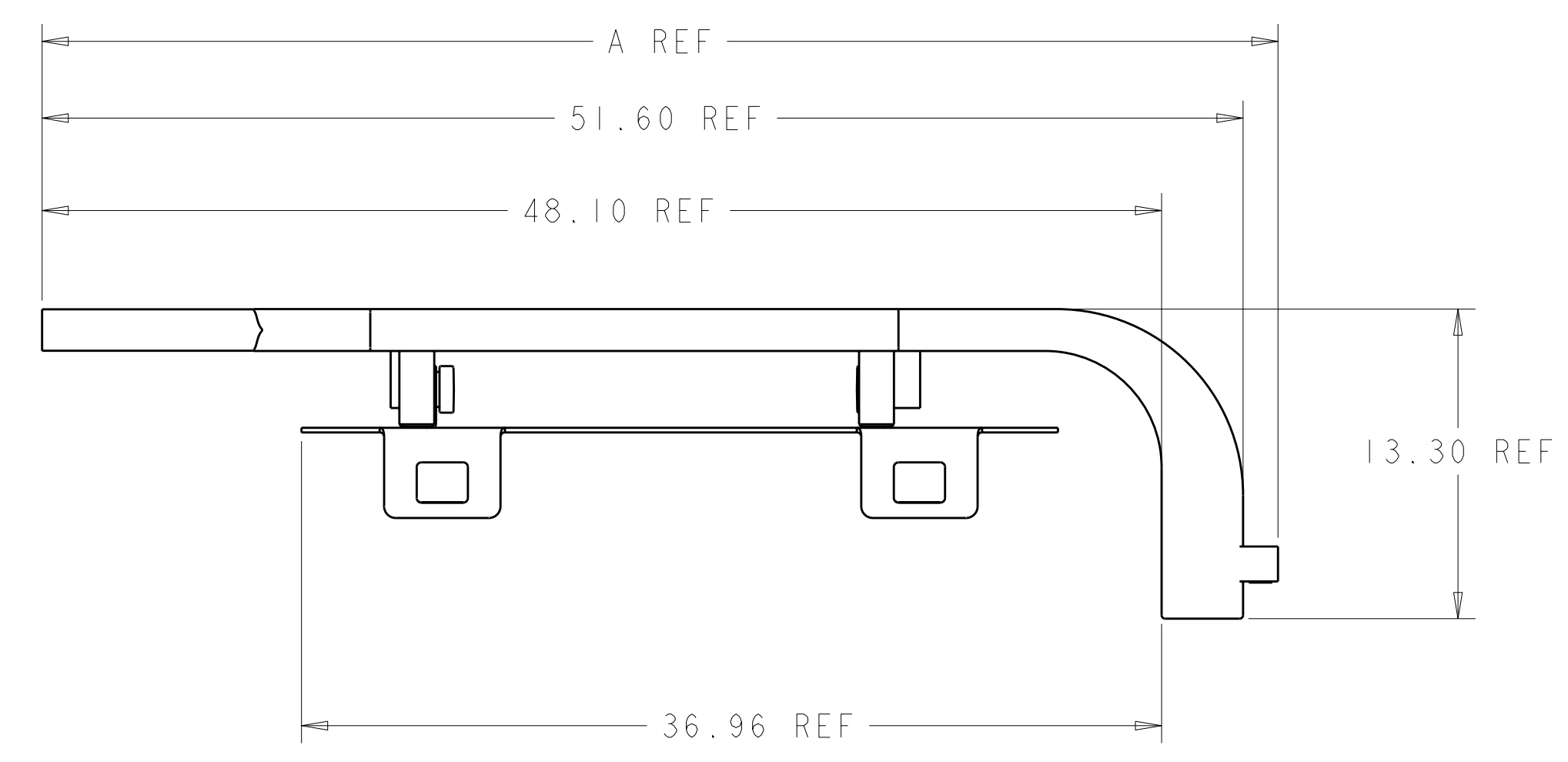
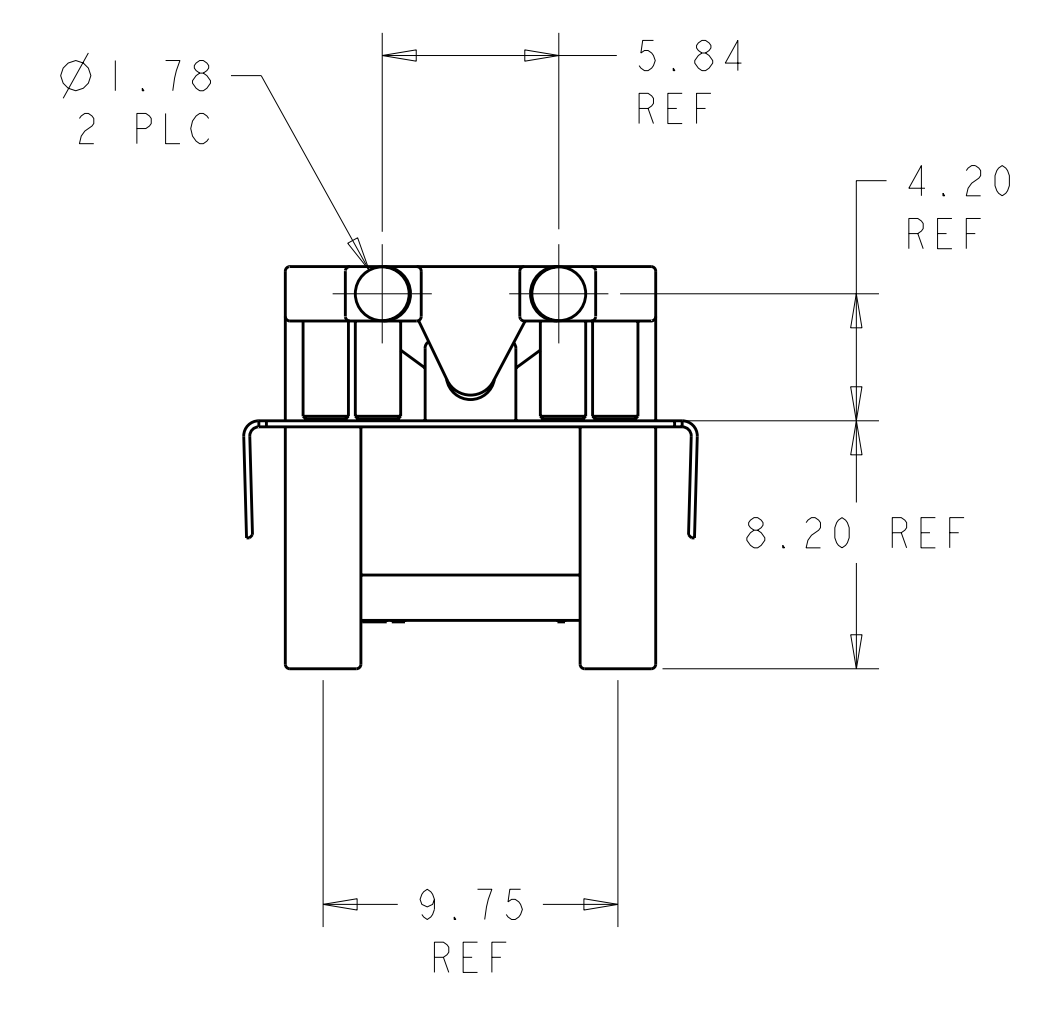
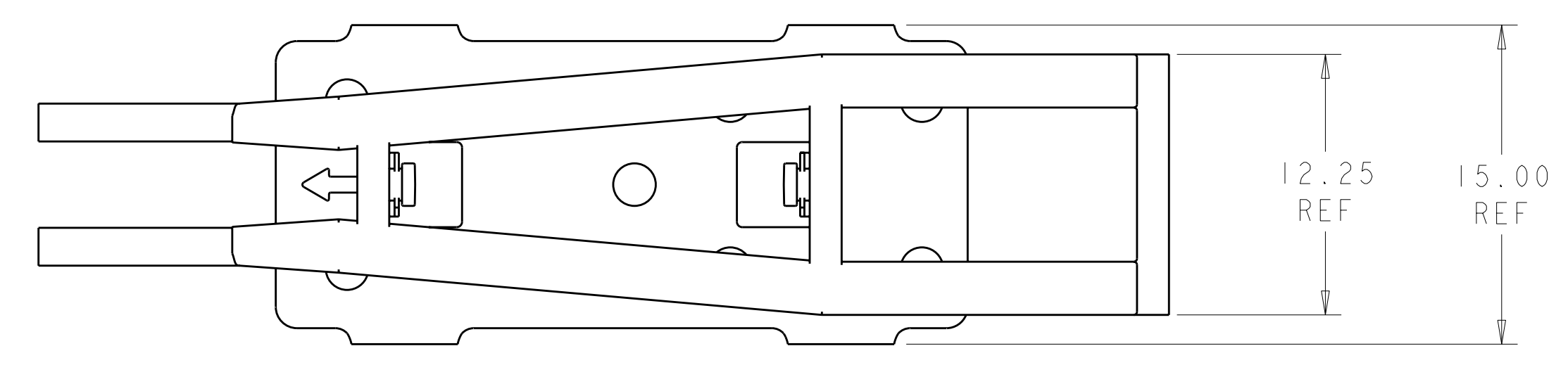
Tel: +86-755-8981 8866 Fax: +86-755-8427 6832

Email & Skype: info@chipsmall.com Web: www.chipsmall.com

Address: A1208, Overseas Decoration Building, #122 Zhenhua RD., Futian, Shenzhen, China



LOC	DIST	REVISIONS					
ES	00	P	LT#	DESCRIPTION	DATE	DWN	APVD
		B		ECO-08-002182	14JAN08	ML	SY
		C		REVISED PER ECO-12-003825	17FEB2012	JY	AC



1. MATERIAL:  
 LIGHTPIPE: POLYCARBONATE, CLEAR  
 LIGHTPIPE BRACKET: STAINLESS STEEL.

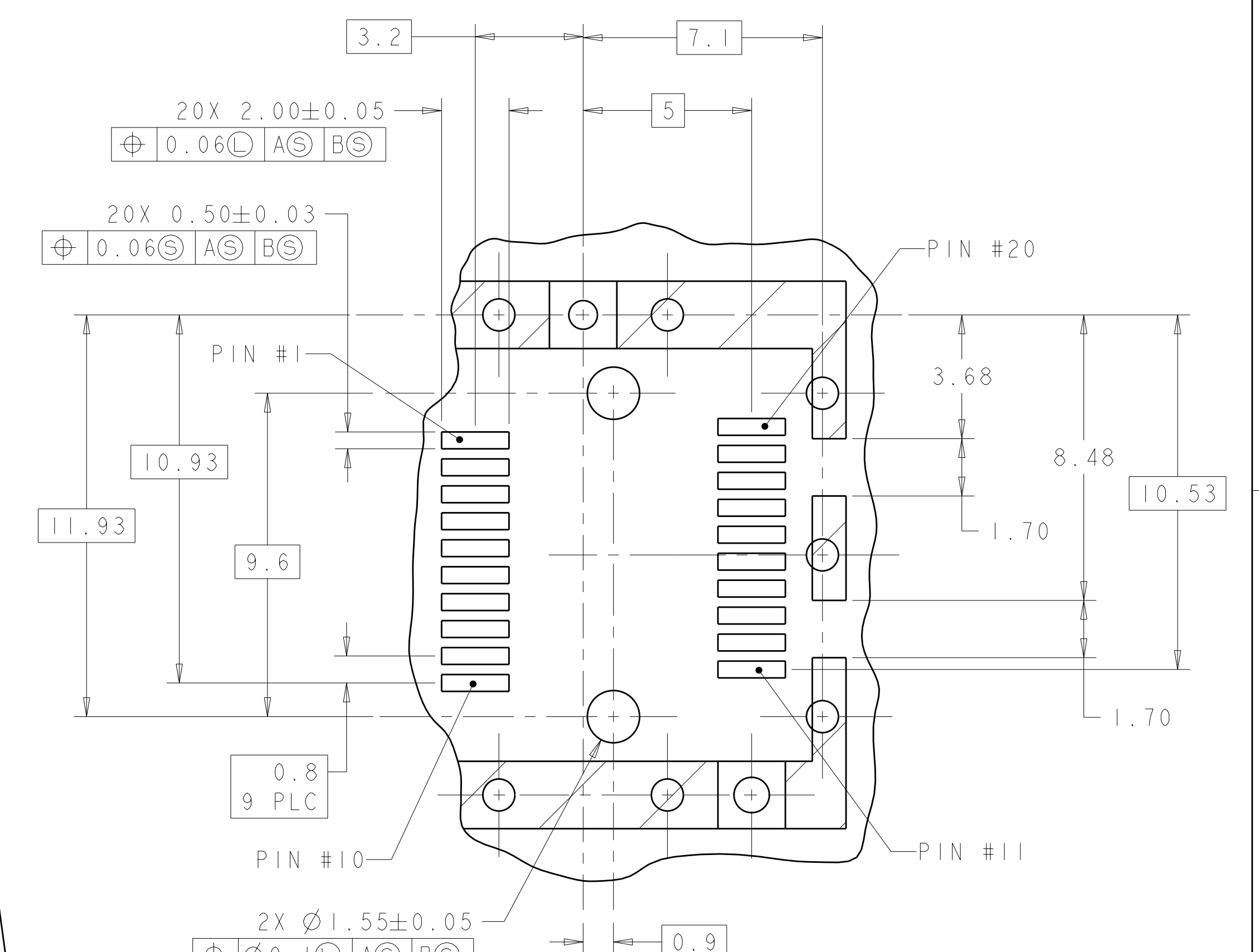
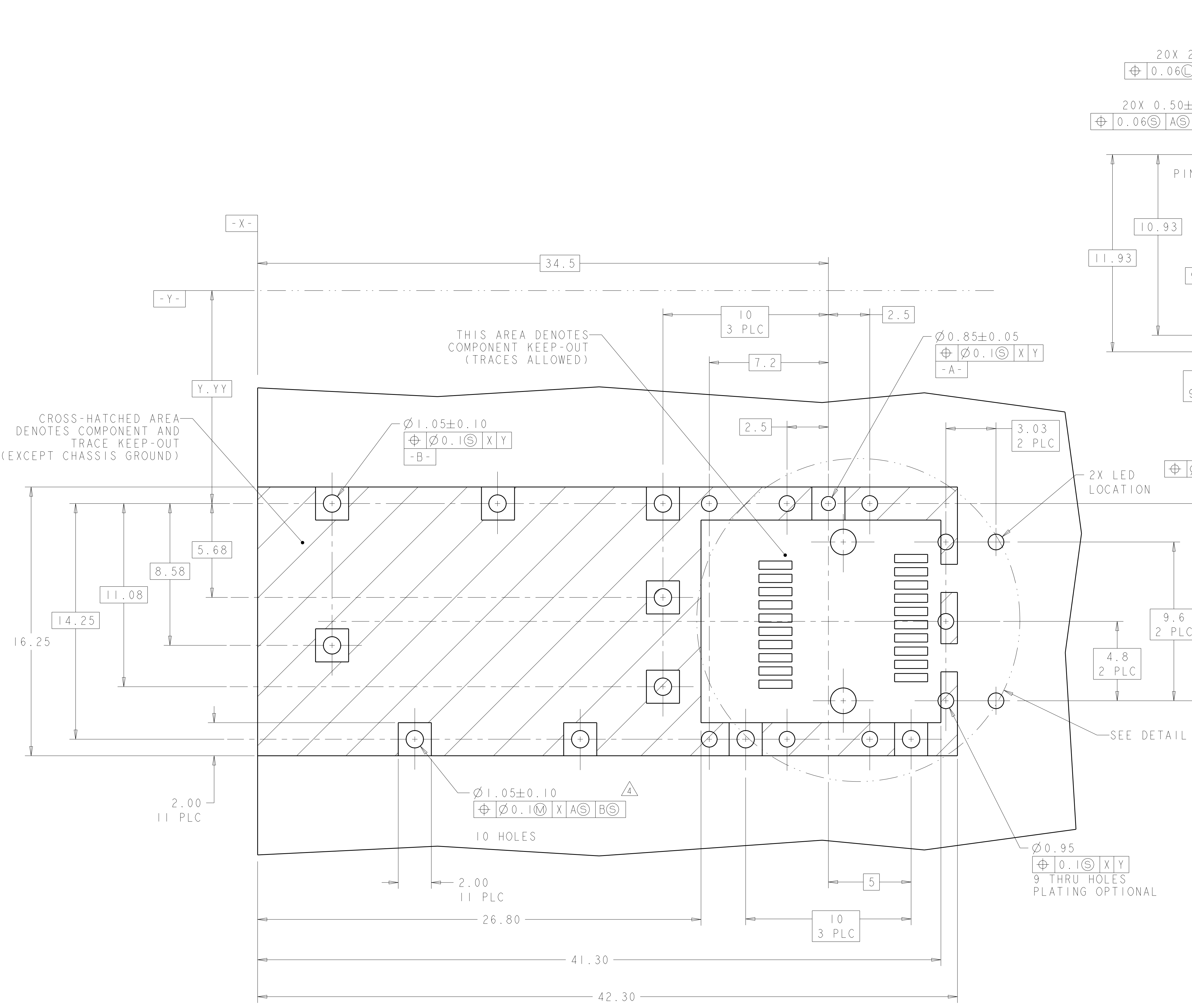
52	1367627-2
53.1	1367627-1
DIMENSION A	PART NUMBER

THIS DRAWING IS A CONTROLLED DOCUMENT.		DWN	MARTIN LI	09JAN08	NAME		STE TE Connectivity	
DIMENSIONS:		CHK	MARTIN LI	09JAN08	PRODUCT SPEC		LIGHT PIPE ASSEMBLY FOR IX1 SFP	
mm		APVD	STEVEN YAO	09JAN08	APPLICATION SPEC		SIZE CAGE CODE DRAWING NO RESTRICTED TO	
TOLERANCES UNLESS OTHERWISE SPECIFIED:		MATERIAL		WEIGHT		CUSTOMER DRAWING		SCALE 2:1 SHEET 1 OF 3 REV C
0 PLC	±	FINISH		-		A100779C=1367627		
1 PLC	±0.10							
2 PLC	±							
3 PLC	±							
4 PLC	±							
ANGLES	±							

LOC	DIST	REV	DATE	BY	APPD
ES	00				

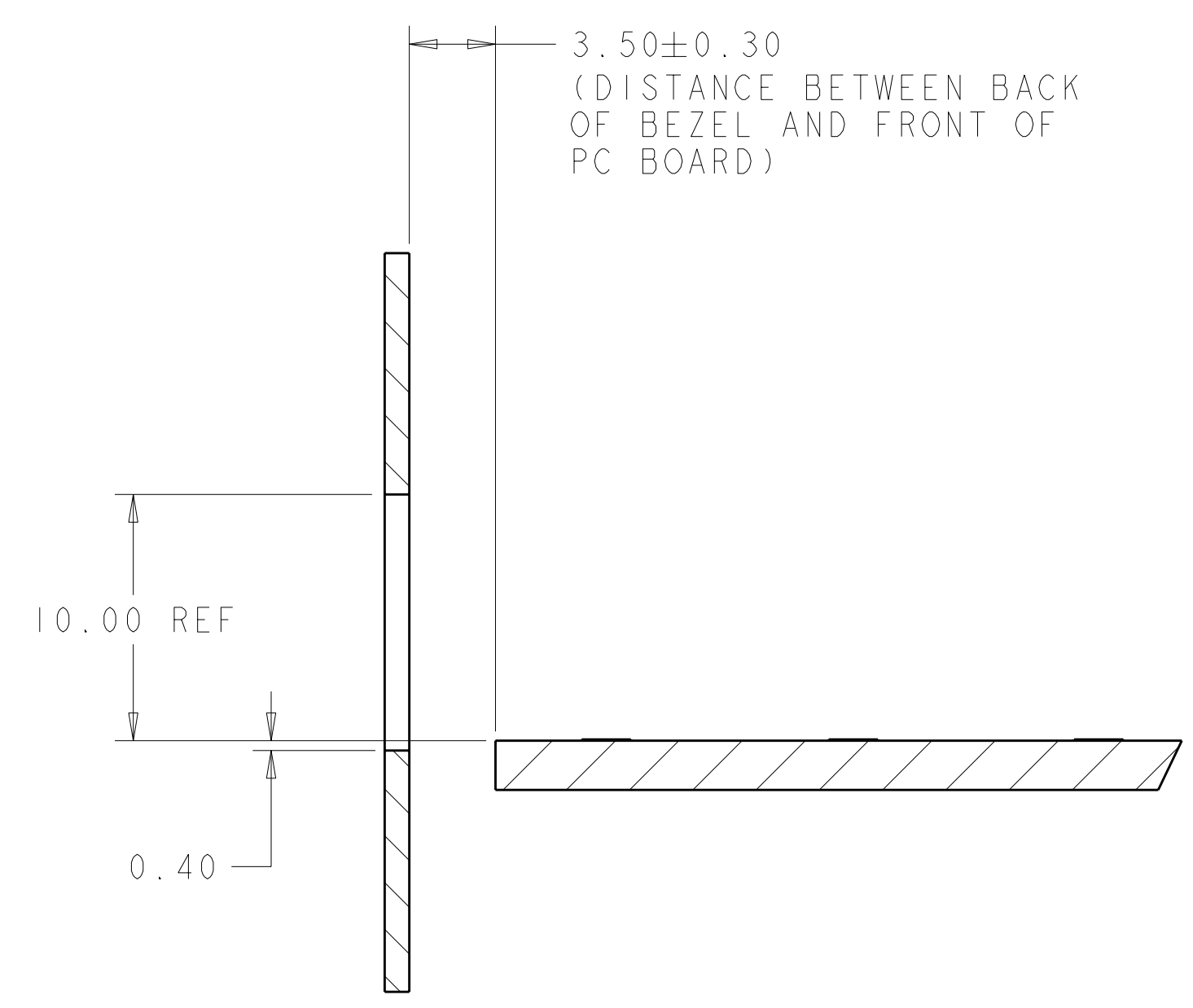
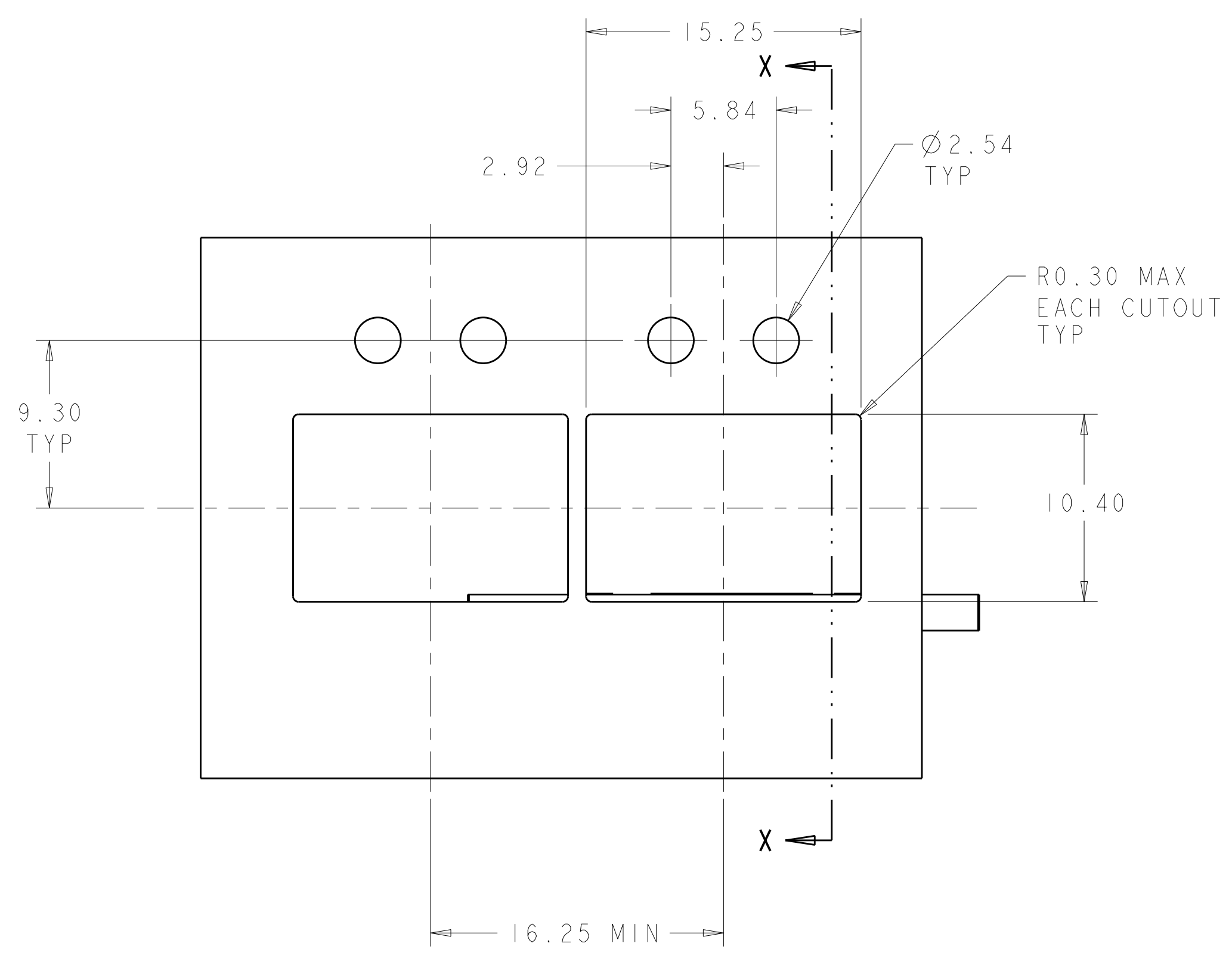
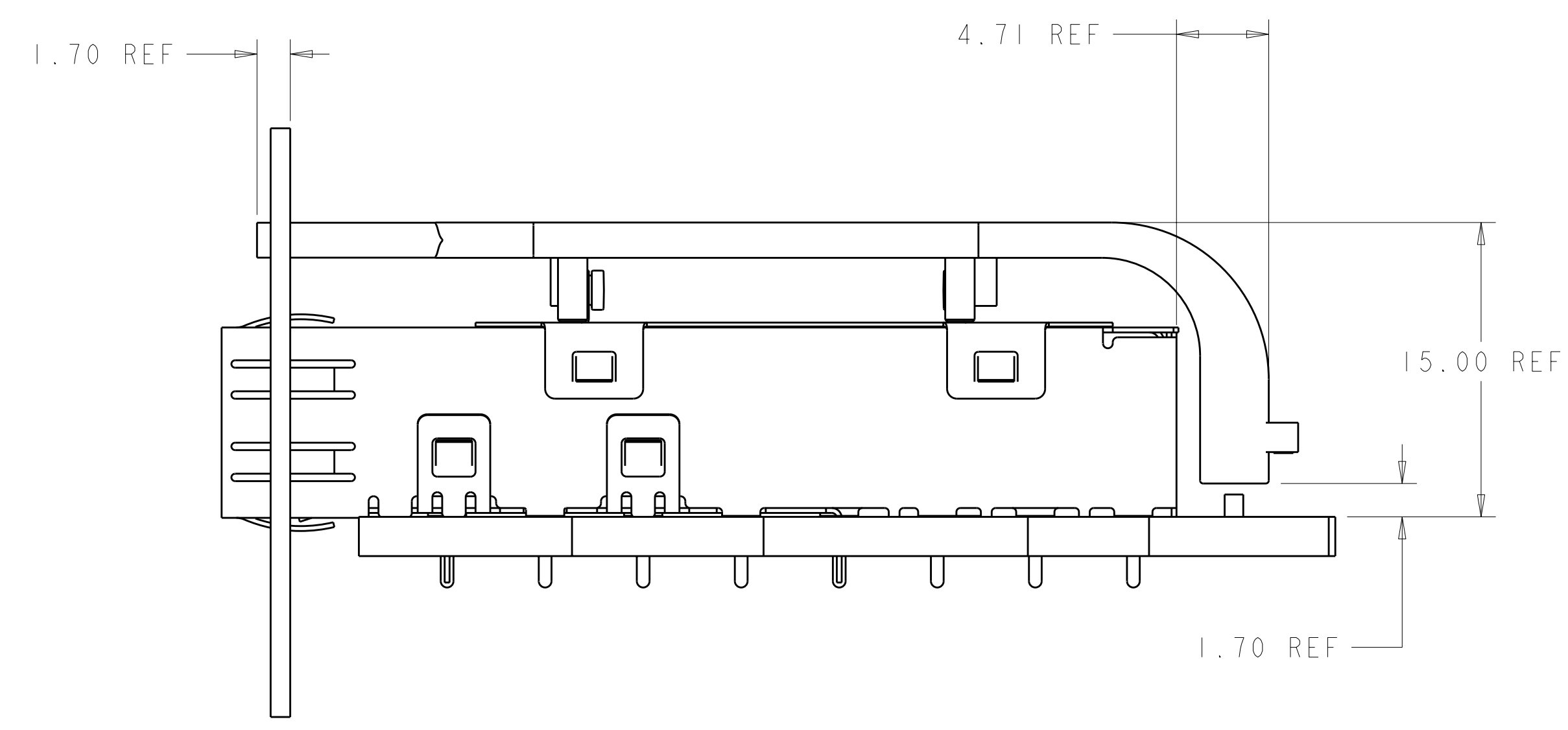
REVISIONS		DATE	BY	APPD
1	SEE SHEET 1			



RECOMMENDED PCB LAYOUT  
SCALE 8:1

THIS DRAWING IS A CONTROLLED DOCUMENT.		DWN MARTIN LI 09JAN08 CHK MARTIN LI 09JAN08 APVD STEVEN YAO 09JAN08	TE Connectivity
DIMENSIONS: mm $\varnothing$		NAME PRODUCT SPEC APPLICATION SPEC SIZE CAGE CODE DRAWING NO RESTRICTED TO	
TOLERANCES UNLESS OTHERWISE SPECIFIED: 9 PLC ± 3 PLC ±0.10 5 PLC ± 4 PLC ± ANGLES ±		NAME PRODUCT SPEC APPLICATION SPEC SIZE CAGE CODE DRAWING NO RESTRICTED TO	LIGHT PIPE ASSEMBLY FOR IX1 SFP A100779C=1367627 SCALE 5:1 SHEET 2 OF 3 REV C
MATERIAL		WEIGHT	CUSTOMER DRAWING

LOC	DIST	REVISIONS			
P	LTB	DESCRIPTION	DATE	DWN	APVD
ES	00	SEE SHEET 1	-	-	-



SECTION X-X

RECOMMENDED BEZEL CUTOUT AND PC BOARD-BEZEL POSITION

THIS DRAWING IS A CONTROLLED DOCUMENT.		DWN: MARTIN LI 09JAN08	TE Connectivity
DIMENSIONS: mm		CHK: MARTIN LI 09JAN08	
TOLERANCES UNLESS OTHERWISE SPECIFIED:		APVD: STEVEN YAO 09JAN08	NAME: LIGHT PIPE ASSEMBLY FOR IX1 SFP
0 PLC ± 1 PLC ± 2 PLC ±0.10 3 PLC ± 4 PLC ± ANGLES ±	FINISH: -	PRODUCT SPEC: -	APPLICATION SPEC: -
MATERIAL: -	WEIGHT: -	SIZE: A100779	CAGE CODE: C=1367627
CUSTOMER DRAWING		SCALE: 2:1	SHEET 3 OF 3 REV C