



Chipsmall Limited consists of a professional team with an average of over 10 year of expertise in the distribution of electronic components. Based in Hongkong, we have already established firm and mutual-benefit business relationships with customers from,Europe,America and south Asia,supplying obsolete and hard-to-find components to meet their specific needs.

With the principle of “Quality Parts,Customers Priority,Honest Operation,and Considerate Service”,our business mainly focus on the distribution of electronic components. Line cards we deal with include Microchip,ALPS,ROHM,Xilinx,Pulse,ON,Everlight and Freescale. Main products comprise IC,Modules,Potentiometer,IC Socket,Relay,Connector.Our parts cover such applications as commercial,industrial, and automotives areas.

We are looking forward to setting up business relationship with you and hope to provide you with the best service and solution. Let us make a better world for our industry!



## Contact us

Tel: +86-755-8981 8866 Fax: +86-755-8427 6832

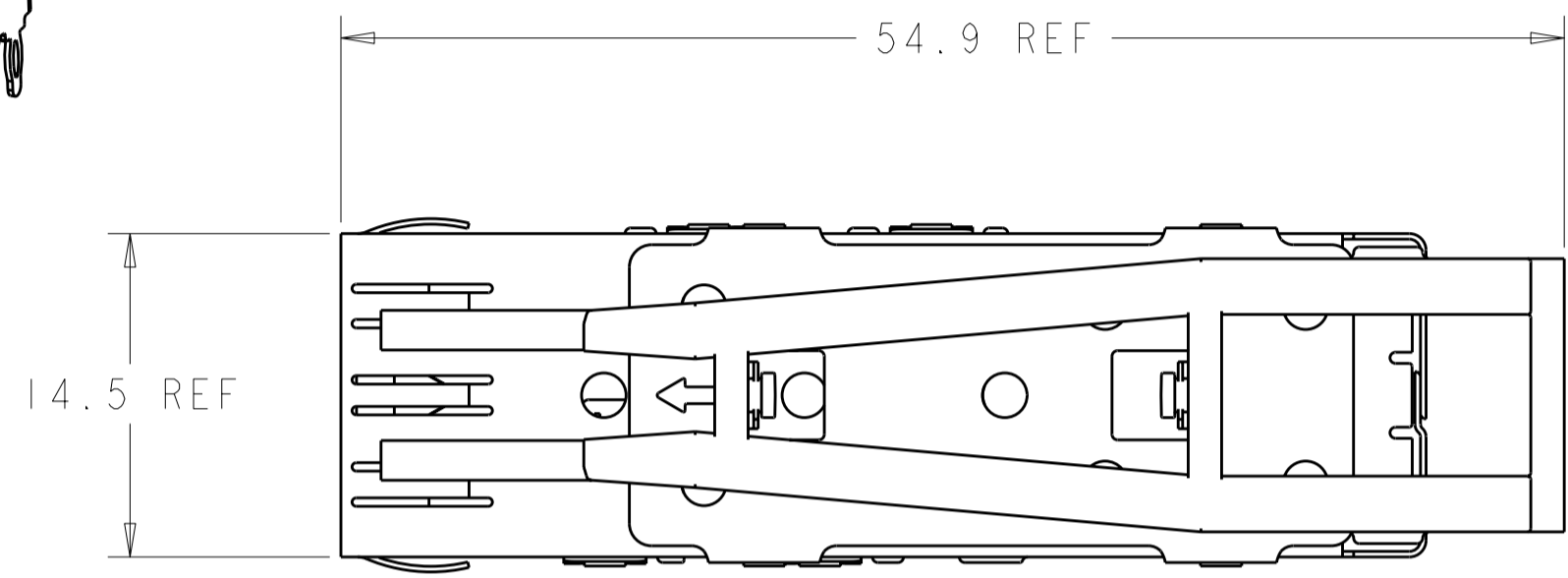
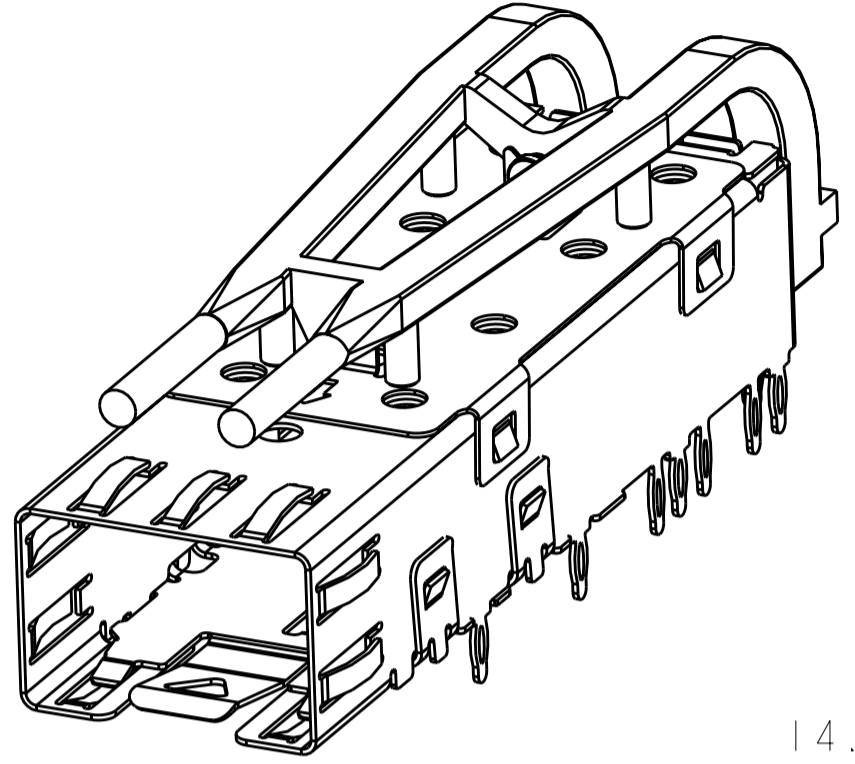
Email & Skype: info@chipsmall.com Web: www.chipsmall.com

Address: A1208, Overseas Decoration Building, #122 Zhenhua RD., Futian, Shenzhen, China

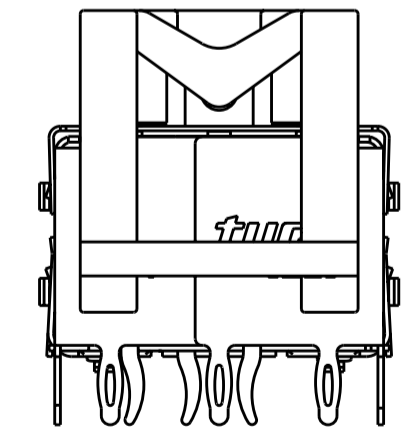
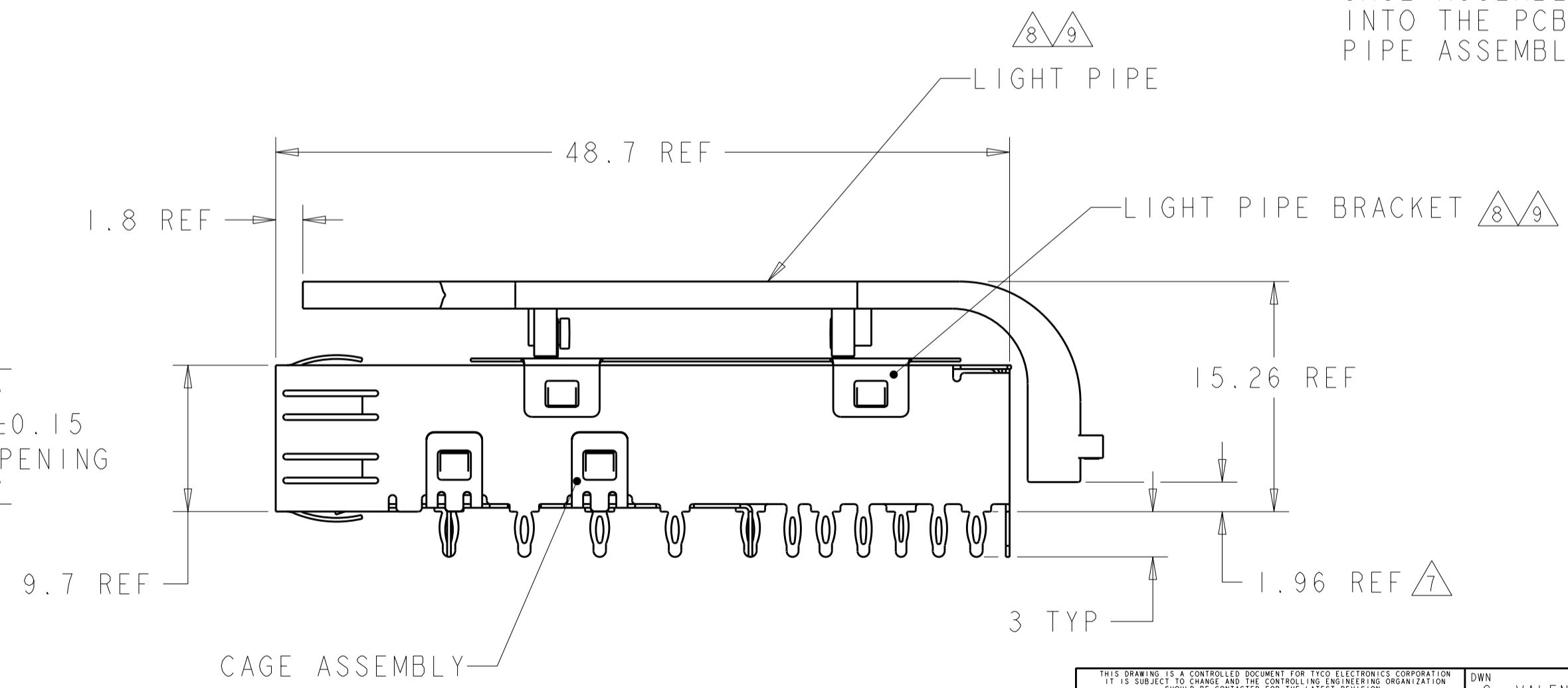
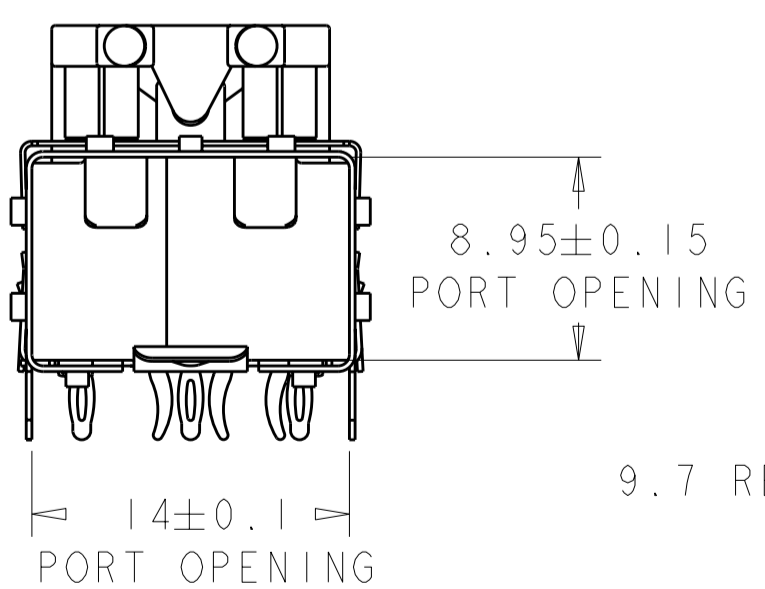


THIS DRAWING IS UNPUBLISHED. RELEASED FOR PUBLICATION 20  
 © COPYRIGHT 20 BY TYCO ELECTRONICS CORPORATION. ALL RIGHTS RESERVED.

LOC	DIST	REVISIONS			
P	LTR	DESCRIPTION	DATE	DWN	APVD
GP	00	A	RELEASED ECO-09-009549	20APR2009	AL SY



- 1 MATERIAL:  
 CAGE: COPPER ALLOY  
 LIGHTPIPE: POLYCARBONATE, CLEAR  
 LIGHTPIPE BRACKET: STAINLESS STEEL.
- 2 FINISH:  
 CAGE: TIN 1.25 µm MIN THICKNESS OVER,  
 0.125 µm MIN THICKNESS NICKEL.  
 NONPLATED EDGES PERMISSABLE.
- 3. MATES WITH SFP MSA COMPLIANT TRANSCEIVERS.
- 4 PADS AND VIAS CHASSIS GROUND.
- 5 DATUM AND BASIC DIMENSIONS ESTABLISHED BY CUSTOMER.
- 6. MINIMUM PC BOARD THICKNESS:  
 SINGLE SIDED: 1.50 mm  
 (SHOWN ON SHEET 4).
- 7 MAX HEIGHT OF LED OFF BOARD IS NOT TO EXCEED 1.14mm.
- 8 LIGHT PIPE AND LIGHT PIPE BRACKET SHIPPED ASSEMBLED.
- 9 LIGHT PIPE ASSEMBLY SHIPPED UNASSEMBLED TO CAGE ASSEMBLY. CAGE ASSEMBLY TO BE PRESSED INTO THE PCB PRIOR TO ATTACHING THE LIGHT PIPE ASSEMBLY TO THE CAGE.



1367629-1  
 PART NUMBER

THIS DRAWING IS A CONTROLLED DOCUMENT FOR TYCO ELECTRONICS CORPORATION IT IS SUBJECT TO CHANGE AND THE CONTROLLING ENGINEERING ORGANIZATION SHOULD BE CONTACTED FOR THE LATEST REVISION.		DWN: 15 JAN 2007 CHK: C. VALENTINE E. BRIGHT APVD: 15 JAN 2007 E. BRIGHT	Tyco Electronics Harrisburg, PA 17105-3608
DIMENSIONS: mm	TOLERANCES UNLESS OTHERWISE SPECIFIED: 0 PLC ±0.1 1 PLC ±0.1 2 PLC ±0.1 3 PLC ±0.05 4 PLC ±0.05 ANGLES ± FINISH	PRODUCT SPEC: 108-1950 APPLICATION SPEC: 114-13120 WEIGHT: -	NAME: CAGE ASSEMBLY 20 PRESS FIT ,SFP SIZE: A2 CAGE CODE: 00779 DRAWING NO: 1367629 RESTRICTED TO: -
MATERIAL: 1 - FINISH: 2 -	CUSTOMER DRAWING	SCALE: 1:1 SHEET: 1 OF 4 REV: A	

4

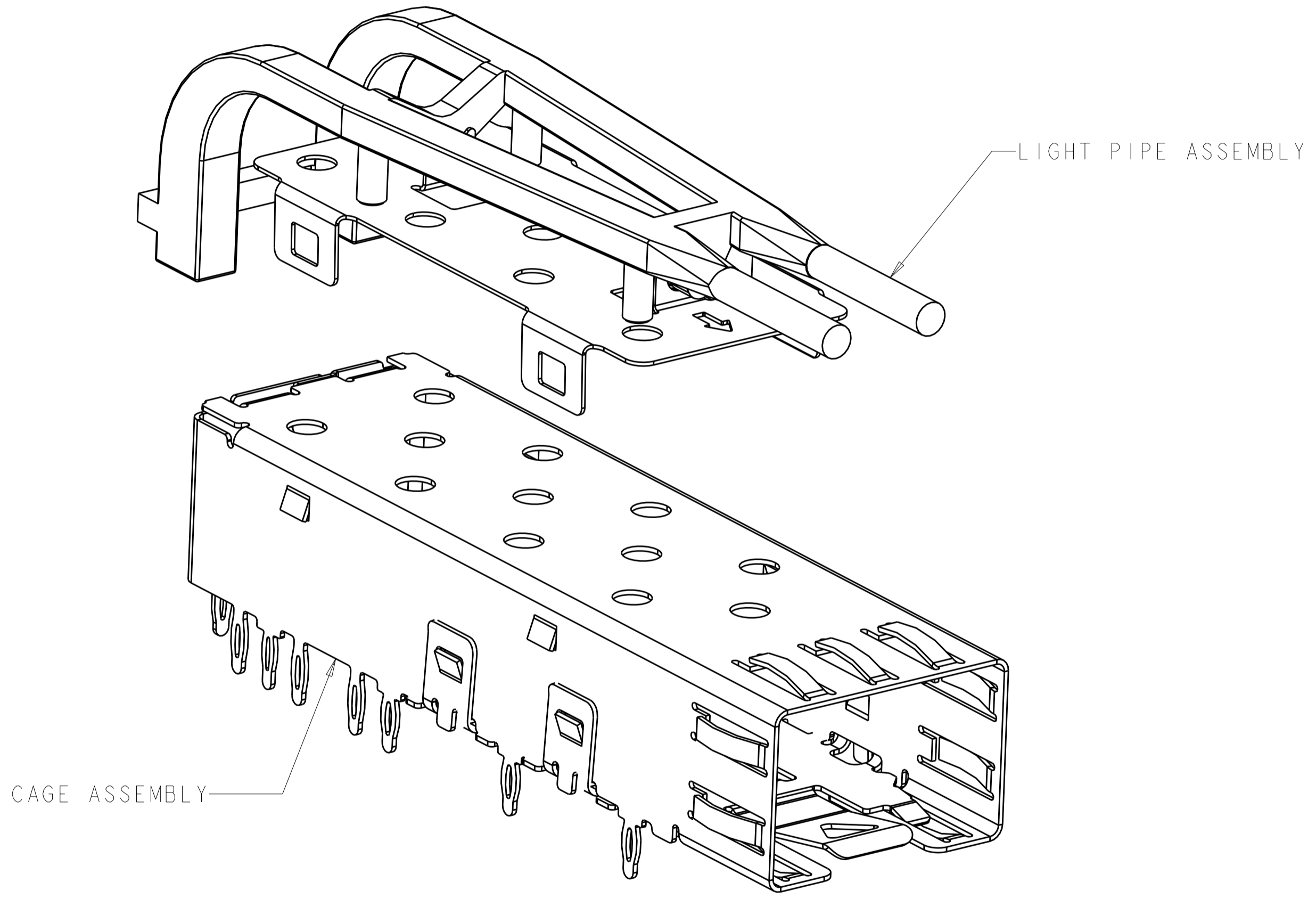
3

2

1

THIS DRAWING IS UNPUBLISHED. RELEASED FOR PUBLICATION 20  
 © COPYRIGHT 20 BY TYCO ELECTRONICS CORPORATION. ALL RIGHTS RESERVED.

LOC	DIST	REVISIONS					
GP	00	P	LTR	DESCRIPTION	DATE	DWN	APVD
		-		SEE SHEET 1			

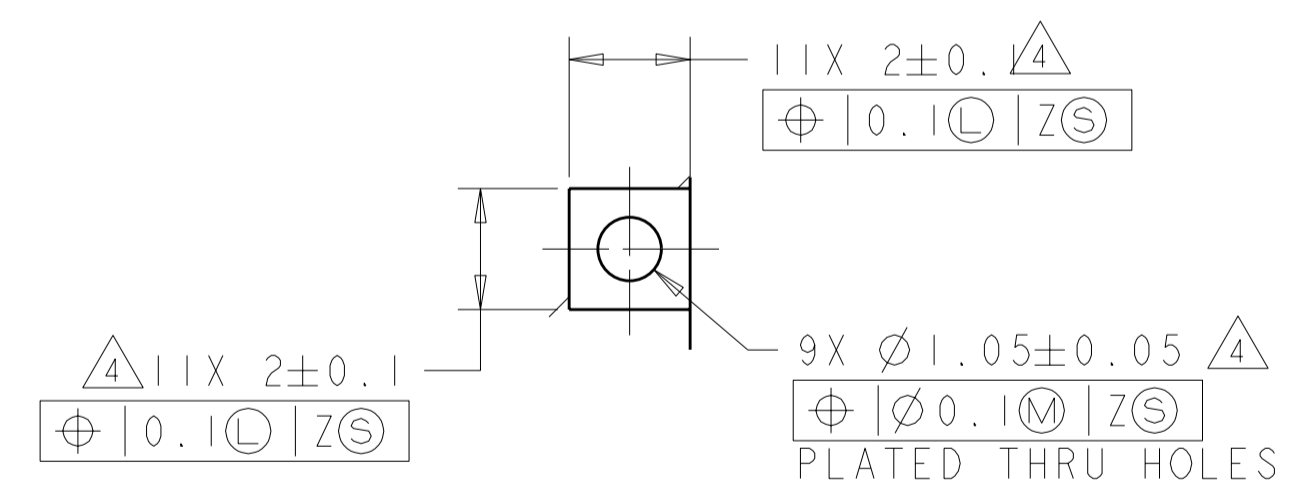
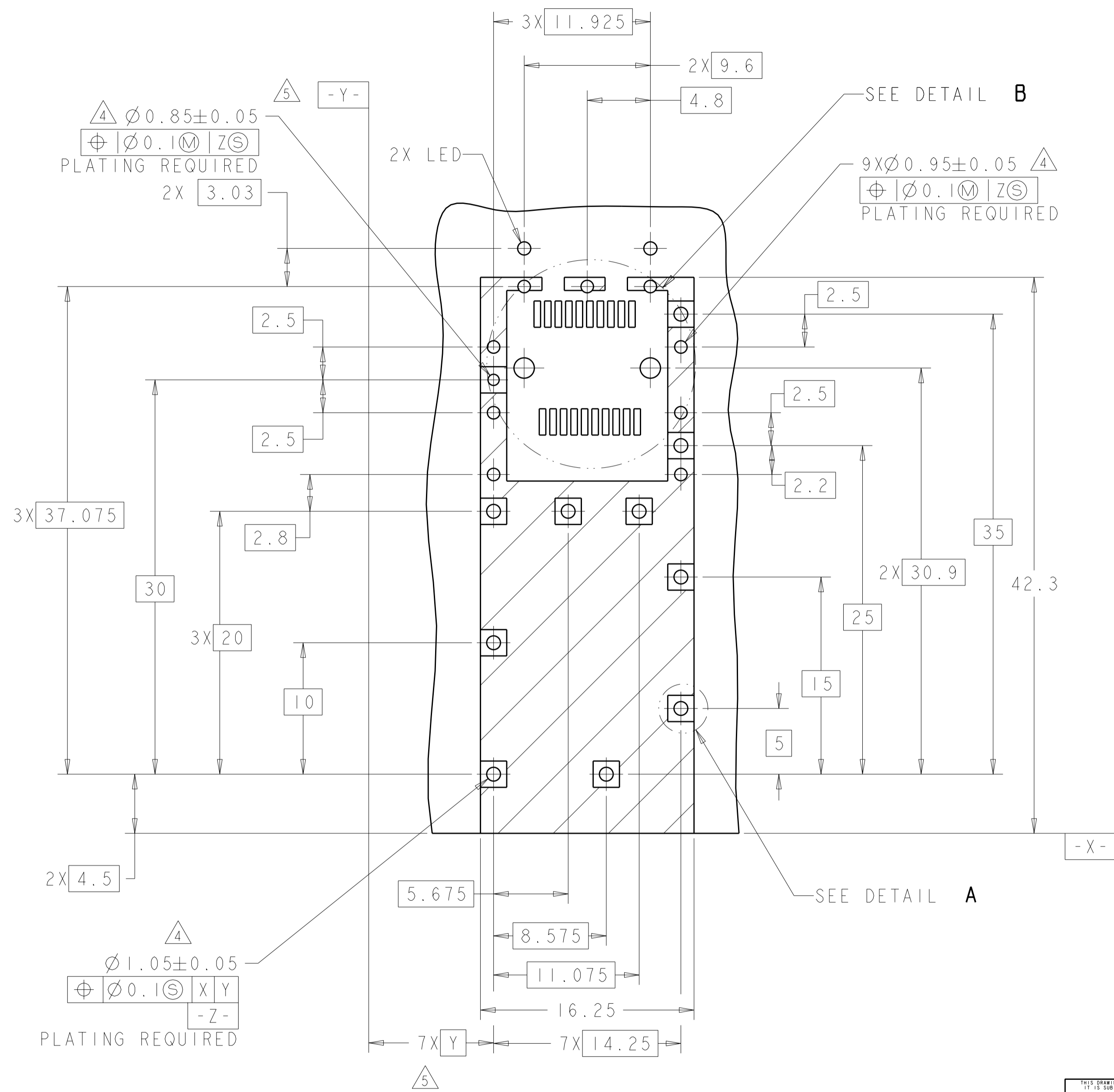


EXPLODED VIEW  
SCALE 5:1

<small>THIS DRAWING IS A CONTROLLED DOCUMENT FOR TYCO ELECTRONICS CORPORATION IT IS SUBJECT TO CHANGE AND THE CONTROLLING ENGINEERING ORGANIZATION SHOULD BE CONTACTED FOR THE LATEST REVISION.</small>		DWN 15 JAN 2007 C. VALENTINE CHK 15 JAN 2007 E. BRIGHT APVD 15 JAN 2007 E. BRIGHT	<b>Tyco Electronics</b> Tyco Electronics Harrisburg, PA 17105-3608
DIMENSIONS: mm 	TOLERANCES UNLESS OTHERWISE SPECIFIED: 0 PLC ±0.1 1 PLC ±0.1 2 PLC ±0.1 3 PLC ±0.05 4 PLC ±0.05 ANGLES ± FINISH	PRODUCT SPEC 108-1950 APPLICATION SPEC 114-13120 WEIGHT -	NAME CAGE ASSEMBLY 20 PRESS FIT , SFP SIZE CAGE CODE DRAWING NO RESTRICTED TO A200779 C-1367629 -
MATERIAL	-	CUSTOMER DRAWING	SCALE 1:1 SHEET 2 OF 4 REV A

THIS DRAWING IS UNPUBLISHED. RELEASED FOR PUBLICATION 20  
 © COPYRIGHT 20 BY TYCO ELECTRONICS CORPORATION. ALL RIGHTS RESERVED.

LOC	DIST	REVISIONS					
GP	00	P	LTR	DESCRIPTION	DATE	DWN	APVD
		-		SEE SHEET 1			



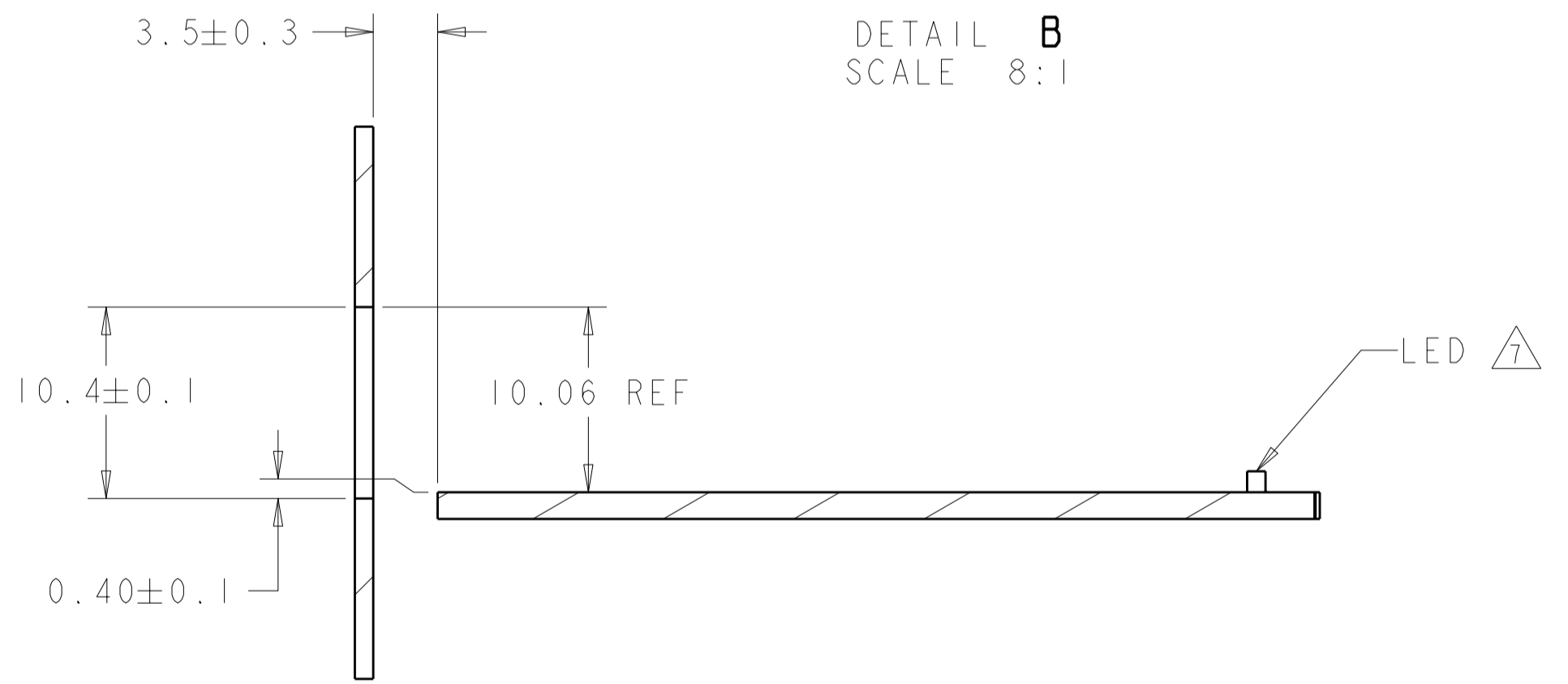
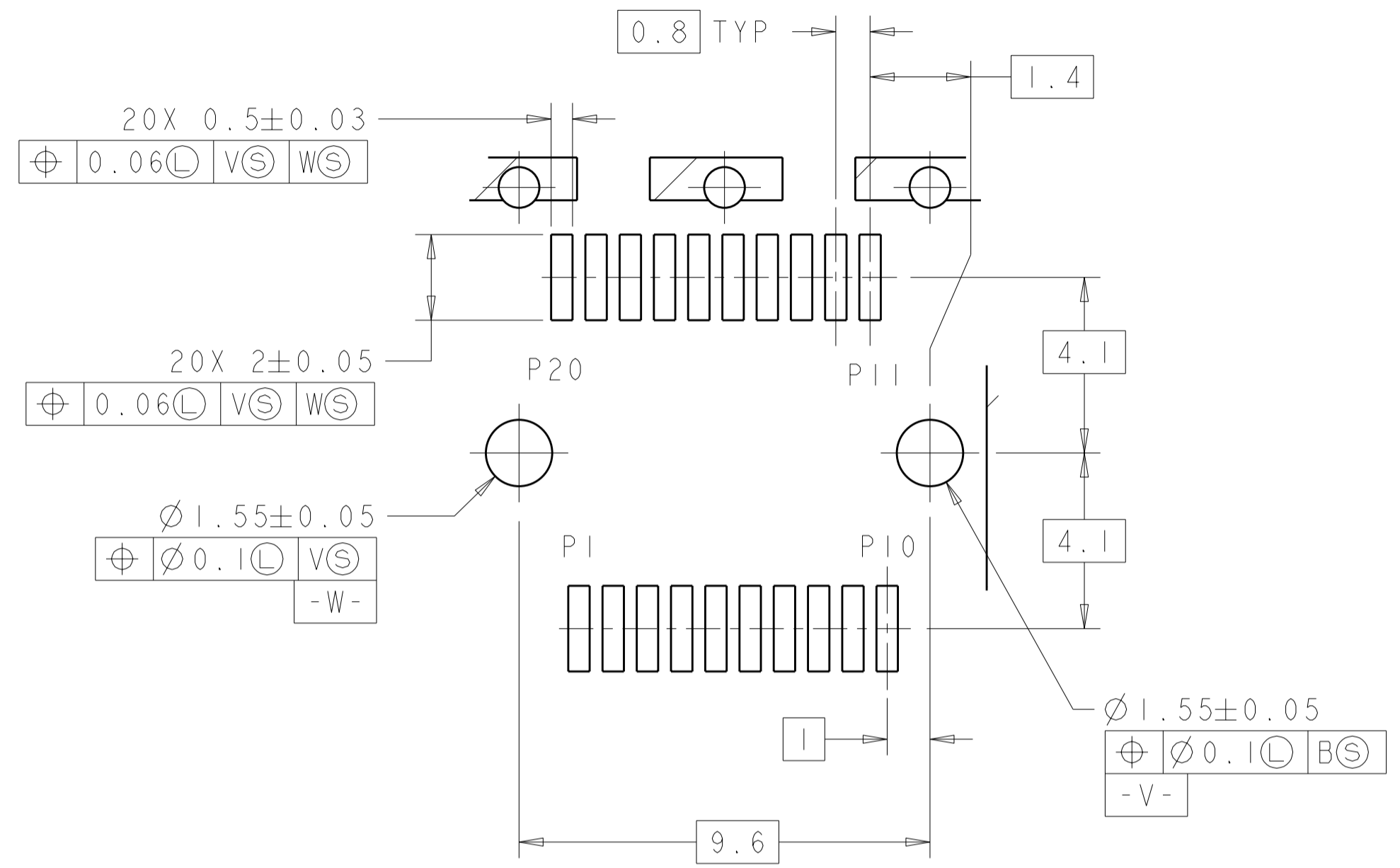
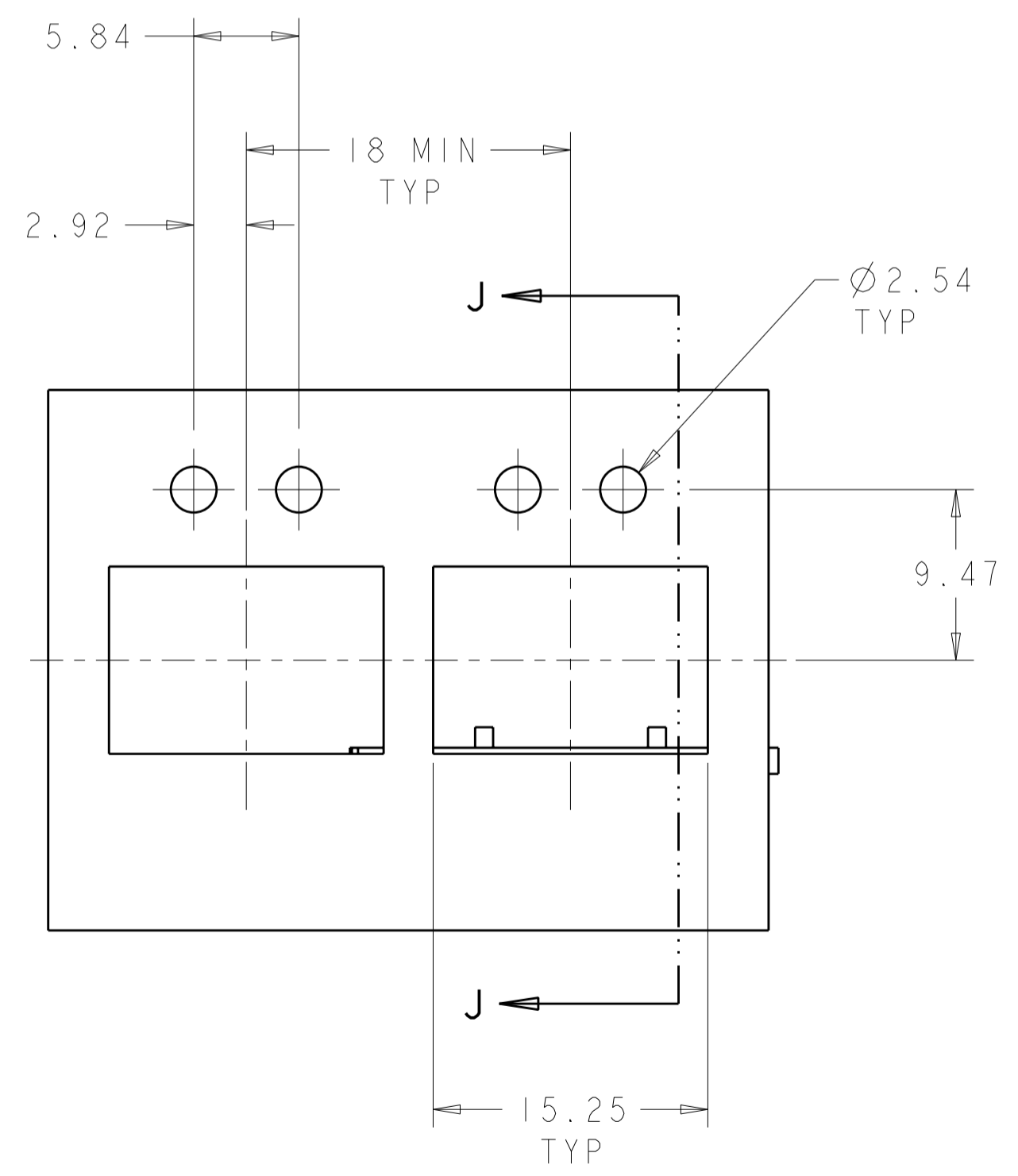
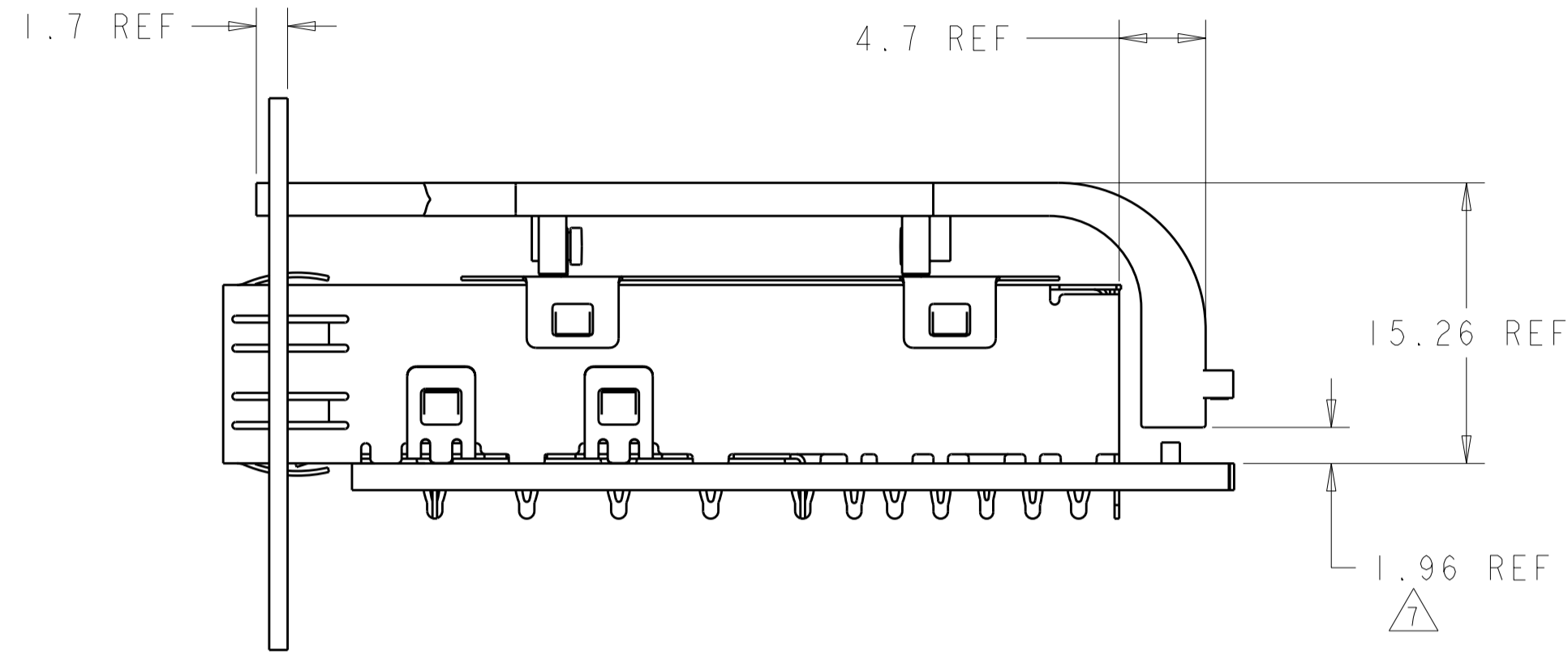
DETAIL A  
SCALE 8:1

RECOMMENDED PC BOARD LAYOUT  
SCALE 4:1

THIS DRAWING IS A CONTROLLED DOCUMENT FOR TYCO ELECTRONICS CORPORATION. IT IS SUBJECT TO CHANGE AND THE CONTROLLING ENGINEERING ORGANIZATION SHOULD BE CONTACTED FOR THE LATEST REVISION.		DWN C. VALENTINE 15 JAN 2007	Tyco Electronics Harrisburg, PA 17105-3608	
DIMENSIONS: mm		CHK E. BRIGHT 15 JAN 2007	NAME CAGE ASSEMBLY 20 PRESS FIT, SFP	
TOLERANCES UNLESS OTHERWISE SPECIFIED: 0 PLC ±0.1 1 PLC ±0.1 2 PLC ±0.1 3 PLC ±0.05 4 PLC ±0.05 ANGLES ± FINISH		APVD E. BRIGHT 15 JAN 2007	RESTRICTED TO	
MATERIAL		PRODUCT SPEC 108-1950	SIZE A200779	CAGE CODE C-1367629
		APPLICATION SPEC 114-13120	DRAWING NO 1367629	REV A
		WEIGHT	SCALE 1:1	SHEET 3 OF 4
		CUSTOMER DRAWING		

THIS DRAWING IS UNPUBLISHED. RELEASED FOR PUBLICATION 20  
 © COPYRIGHT 20 BY TYCO ELECTRONICS CORPORATION. ALL RIGHTS RESERVED.

LOC	DIST	REVISIONS			
P	LTR	DESCRIPTION	DATE	DWN	APVD
GP	00	SEE SHEET 1			



DETAIL B  
SCALE 8:1

SECTION J-J

<small>THIS DRAWING IS A CONTROLLED DOCUMENT FOR TYCO ELECTRONICS CORPORATION          IT IS SUBJECT TO CHANGE AND THE CONTROLLING ENGINEERING ORGANIZATION          SHOULD BE CONTACTED FOR THE LATEST REVISION.</small>		DWN C. VALENTINE 15 JAN 2007 CHK E. BRIGHT 15 JAN 2007 APVD E. BRIGHT 15 JAN 2007	<b>Tyco Electronics</b> Tyco Electronics Harrisburg, PA 17105-3608
DIMENSIONS: mm 	TOLERANCES UNLESS OTHERWISE SPECIFIED: 0 PLC ±0.1 1 PLC ±0.1 2 PLC ±0.1 3 PLC ±0.05 4 PLC ±0.05 ANGLES ± FINISH	PRODUCT SPEC 108-1950 APPLICATION SPEC 114-13120 WEIGHT - CUSTOMER DRAWING	NAME CAGE ASSEMBLY 20 PRESS FIT, SFP SIZE A200779 CAGE CODE C-1367629 DRAWING NO - RESTRICTED TO - SCALE 1:1 SHEET 4 OF 4 REV A