



Chipsmall Limited consists of a professional team with an average of over 10 year of expertise in the distribution of electronic components. Based in Hongkong, we have already established firm and mutual-benefit business relationships with customers from,Europe,America and south Asia,supplying obsolete and hard-to-find components to meet their specific needs.

With the principle of “Quality Parts,Customers Priority,Honest Operation,and Considerate Service”,our business mainly focus on the distribution of electronic components. Line cards we deal with include Microchip,ALPS,ROHM,Xilinx,Pulse,ON,Everlight and Freescale. Main products comprise IC,Modules,Potentiometer,IC Socket,Relay,Connector.Our parts cover such applications as commercial,industrial, and automotives areas.

We are looking forward to setting up business relationship with you and hope to provide you with the best service and solution. Let us make a better world for our industry!



Contact us

Tel: +86-755-8981 8866 Fax: +86-755-8427 6832

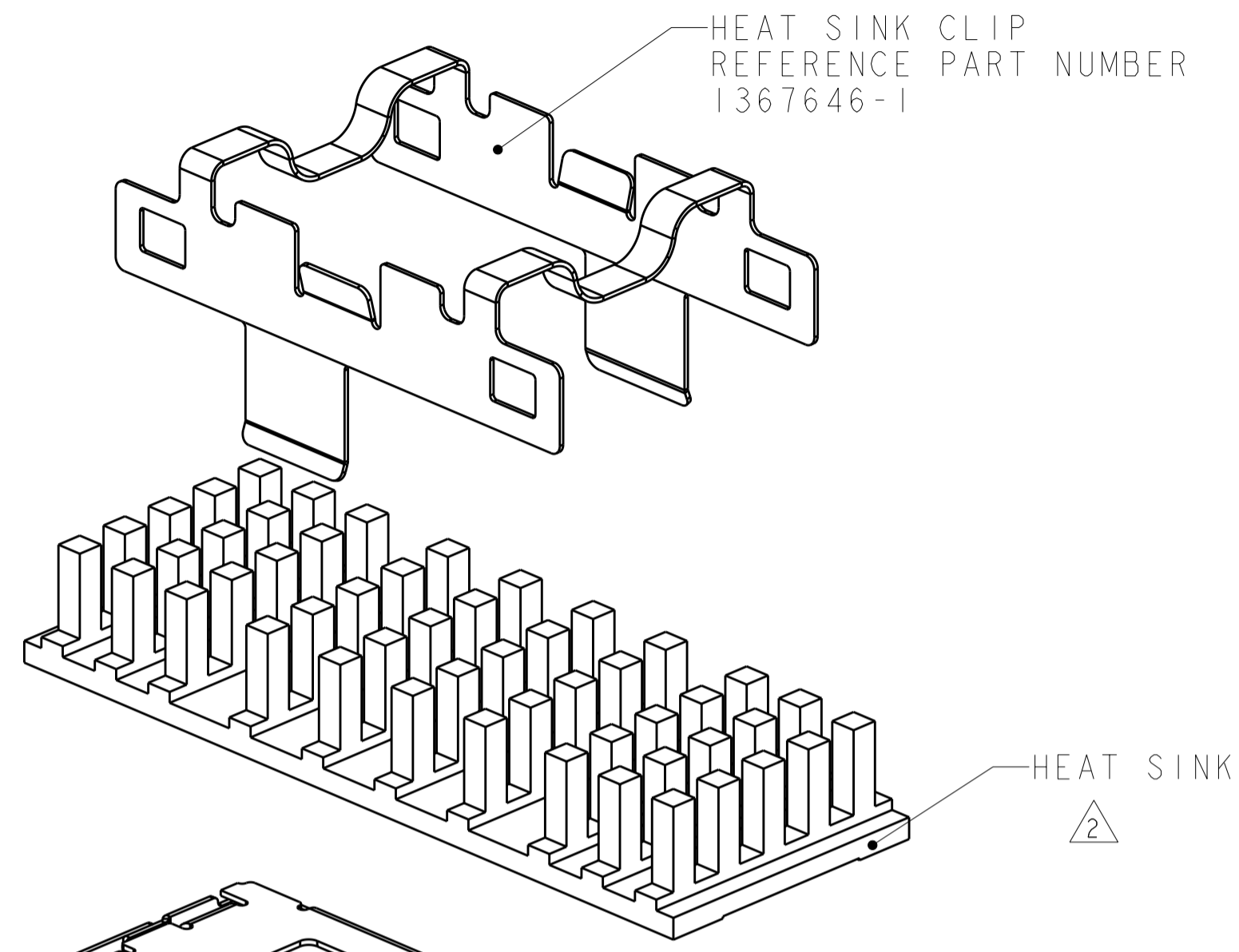
Email & Skype: info@chipsmall.com Web: www.chipsmall.com

Address: A1208, Overseas Decoration Building, #122 Zhenhua RD., Futian, Shenzhen, China



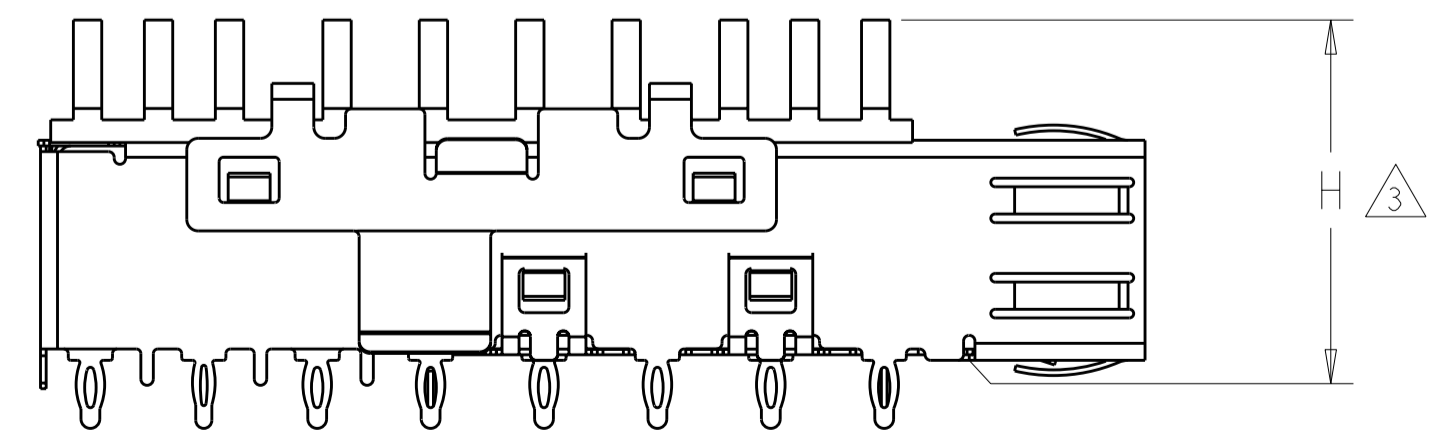
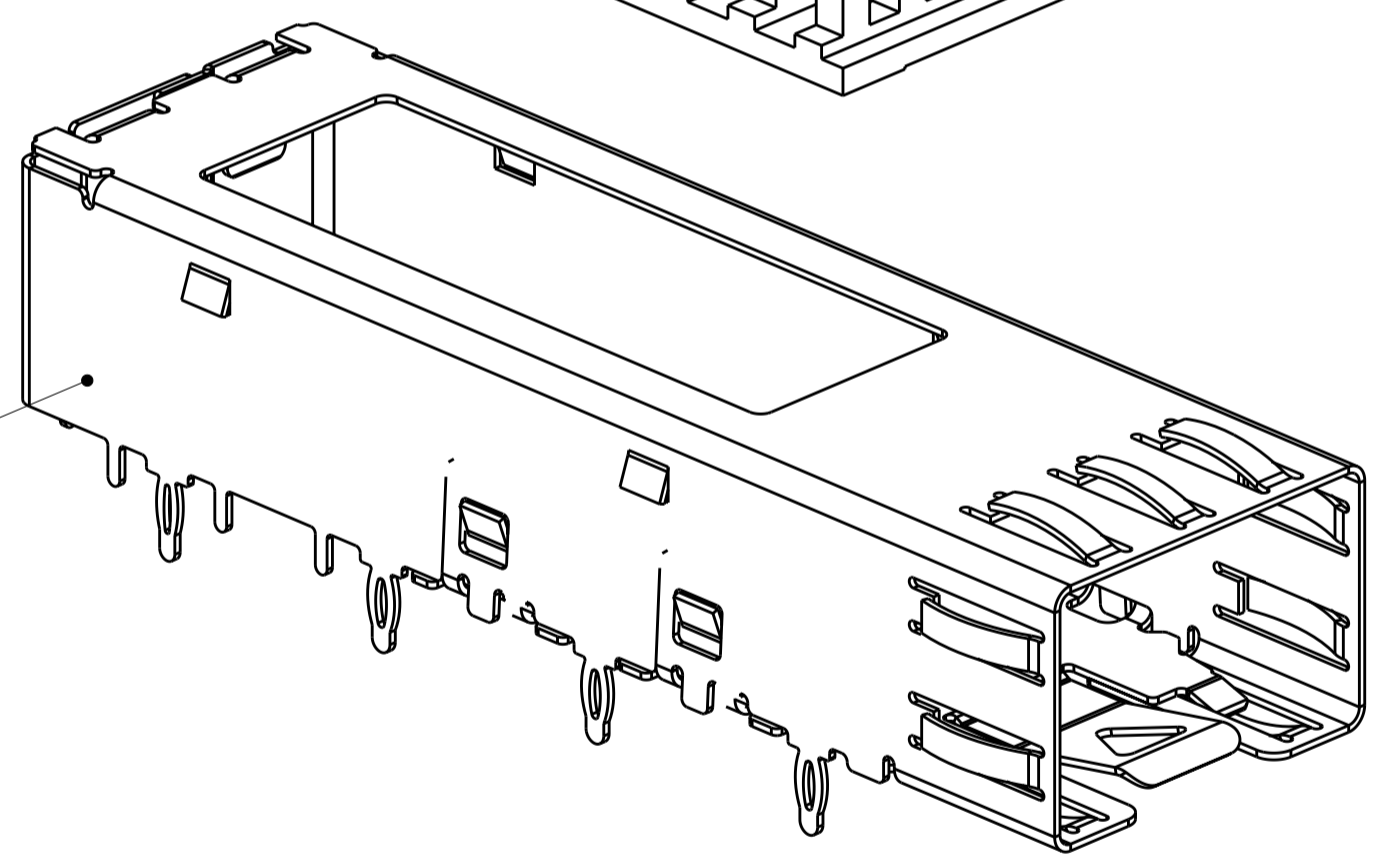
THIS DRAWING IS UNPUBLISHED. RELEASED FOR PUBLICATION 20
 © COPYRIGHT 20 BY TYCO ELECTRONICS CORPORATION. ALL RIGHTS RESERVED.

| LOC | | DIST | | REVISIONS | | | |
|-----|-----|-------------|-----------------------|-----------|------|----|--|
| P | LTR | DESCRIPTION | DATE | DWN | APVD | | |
| GP | 00 | C | REV PER ECO-09-013331 | 16JUL2009 | CR | MS | |



1. CAGE ASSEMBLY, HEAT SINK CLIP AND HEAT SINK SHIPPED ASSEMBLED.
2. HEAT SINK REFERENCE PART NUMBERS:
 1829903-2 = 4.2 HIGH - PCI
 1829904-2 = 6.5 HIGH - SAN
 1829905-2 = 13.5 HIGH - NETWORKING
3. DIMENSION APPLIES PRIOR TO INSERTION OF SFP MODULE.
4. MATES WITH SFP MSA COMPLIANT TRANSCEIVERS.
5. SEE COMPONENT DRAWINGS FOR COMPONENT DIMENSIONS AND INFORMATION.

CAGE ASSEMBLY
 REFERENCE PART NUMBER
 1367643-1



VIEW SHOWN ASSEMBLED
 SCALE 3:1

| | | |
|----------|-------------|-------------|
| 22.7 MAX | NETWORKING | 1367645-3 |
| 15.7 MAX | SAN | 1367645-2 |
| 13.4 MAX | PCI | 1367645-1 |
| H | APPLICATION | PART NUMBER |

| | | | |
|--|---|--|--|
| <small>THIS DRAWING IS A CONTROLLED DOCUMENT FOR TYCO ELECTRONICS CORPORATION. IT IS SUBJECT TO CHANGE AND THE CONTROLLING ENGINEERING ORGANIZATION SHOULD BE CONTACTED FOR THE LATEST REVISION.</small> | | DWN D.E.STAHL 06FEB06 CHK E.J.BRIGHT 06FEB06 APVD E.J.BRIGHT 06FEB06 | Tyco Electronics Tyco Electronics Harrisburg, PA 17105-3608 |
| DIMENSIONS: mm | TOLERANCES UNLESS OTHERWISE SPECIFIED: 0 PLC ± 1 PLC ± 2 PLC ± 3 PLC ± 4 PLC ± ANGLES ± FINISH | PRODUCT SPEC 108-1950 APPLICATION SPEC 114-13178 WEIGHT - | NAME KIT ASSEMBLY, PRESS FIT, DWDM SFP |
| MATERIAL | | CUSTOMER DRAWING | SIZE CAGE CODE DRAWING NO RESTRICTED TO A200779 C-1367645 - |
| | | SCALE 4:1 | SHEET 1 OF 1 REV C |

1367645