



Chipsmall Limited consists of a professional team with an average of over 10 year of expertise in the distribution of electronic components. Based in Hongkong, we have already established firm and mutual-benefit business relationships with customers from,Europe,America and south Asia,supplying obsolete and hard-to-find components to meet their specific needs.

With the principle of "Quality Parts,Customers Priority,Honest Operation,and Considerate Service",our business mainly focus on the distribution of electronic components. Line cards we deal with include Microchip,ALPS,ROHM,Xilinx,Pulse,ON,Everlight and Freescale. Main products comprise IC,Modules,Potentiometer,IC Socket,Relay,Connector.Our parts cover such applications as commercial,industrial, and automotives areas.

We are looking forward to setting up business relationship with you and hope to provide you with the best service and solution. Let us make a better world for our industry!



Contact us

Tel: +86-755-8981 8866 Fax: +86-755-8427 6832

Email & Skype: info@chipsmall.com Web: www.chipsmall.com

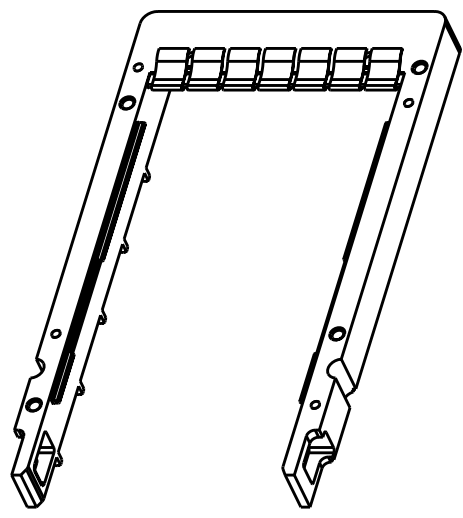
Address: A1208, Overseas Decoration Building, #122 Zhenhua RD., Futian, Shenzhen, China



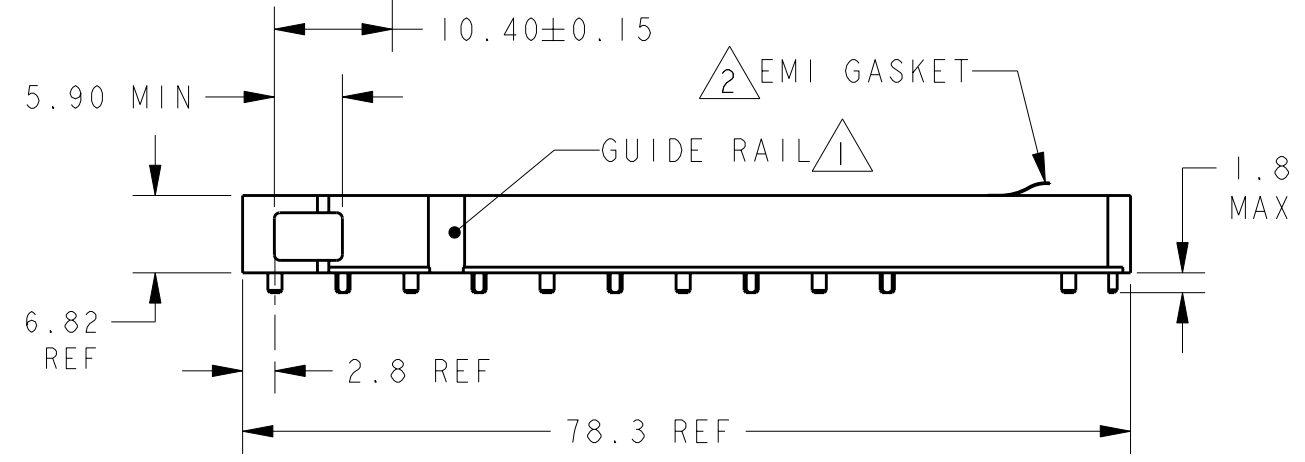
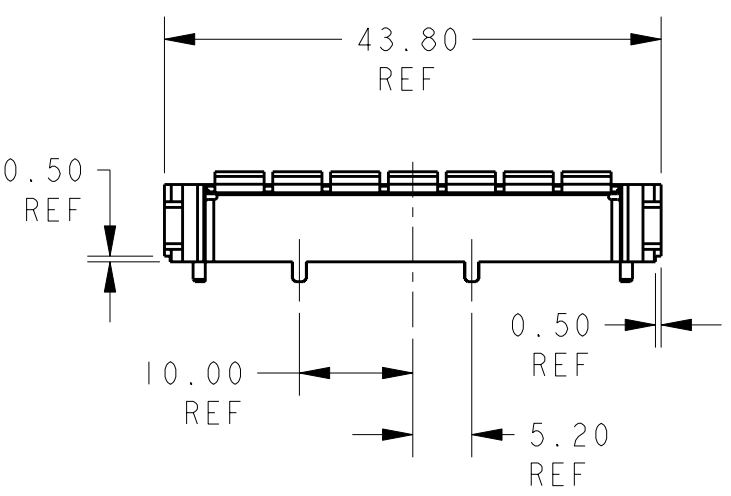
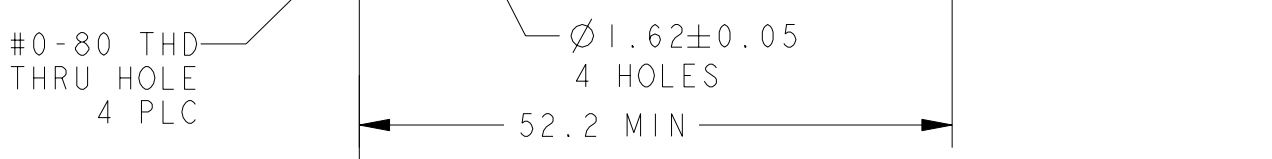
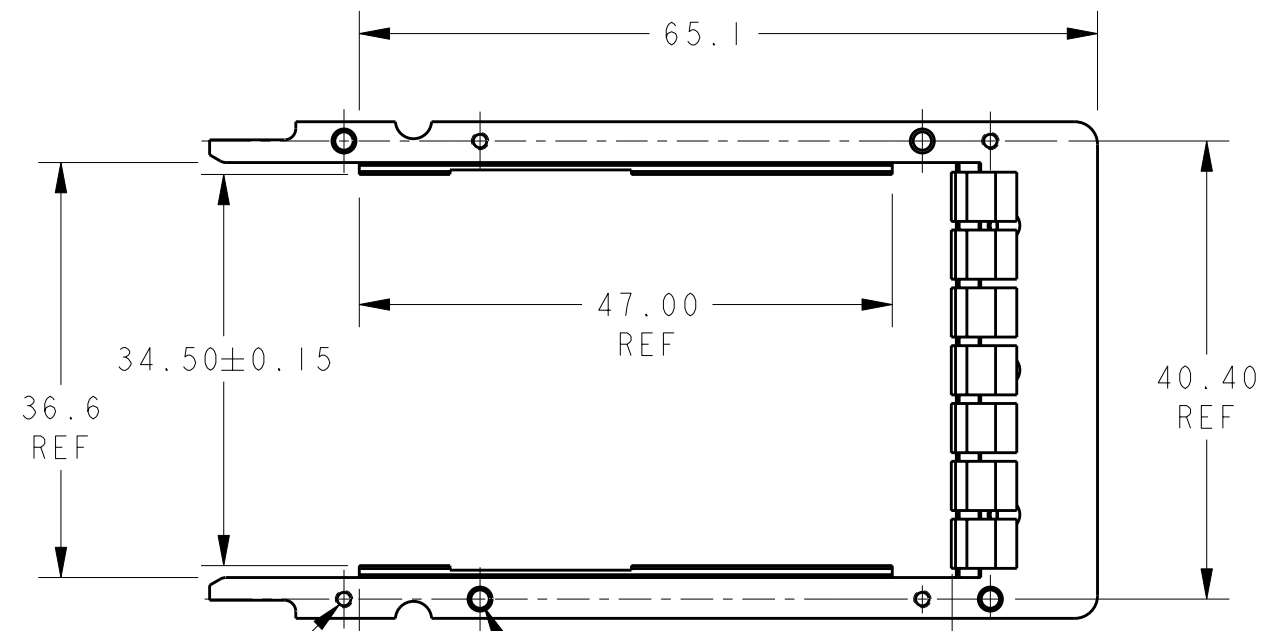
THIS DRAWING IS UNPUBLISHED. RELEASED FOR PUBLICATION 20
 © COPYRIGHT 20 BY TYCO ELECTRONICS CORPORATION. ALL RIGHTS RESERVED.

LOC	DIST	REVISIONS					
		P	LTR	DESCRIPTION	DATE	DWN	APVD
-	-		A	RELEASED PER ECO-07-007698	11APR07	BM	MS
			A1	ECR-08-019072	31JUL08	AZ	SY

- 1. GUIDE RAIL MATERIAL: ZINC
GUIDE RAIL PLATING: 1.27 μM MIN THICK NICKEL,
OVER 5.0 μM MIN THK COPPER
- 2. EMI GASKET MATERIAL: COPPER ALLOY
EMI GASKET PLATING: MATTE TIN, 2.0 μM MIN THK
- 3. DATUMS X AND Y TO BE ESTABLISHED BY CUSTOMER
- 4. DESIGN ACCEPTS MODULES THAT ARE COMPLIANT WITH X2 SPECIFICATION REV 2.0b
- 5. SEE CUSTOMER DRAWING 1367337-1 FOR CONNECTOR PAD DIMENSIONS
- 6. RECOMMENDATION FOR PCB HOLES:
A. HOLE DIA. AFTER DRILLING: 1.55 +0.02
B. HOLE DIA. AFTER TIN-LEAD PLAT: 1.45+.05
C. 25-50 MICROMETERS COPPER UNDERPLATE
D. MAXIMUM 35 MICROMETERS TIN-LEAD PLATING
- 7. 3.0 MINIMUM PCB THICKNESS FOR BELLY TO BELLY APPLICATION
- 8. BEZEL REQUIREMENTS PER X2 MSA SPECIFICATION REV 2.0b
- 9. #0-80 SOCKET HEAD CAP SCREW SUPPLIED BY CUSTOMER. 4 PLACES.
- 10. OPTIONAL HOLES FOR M3 SCREW / STANDOFFS
- 11. CROSS HATCH AREA DENOTES RAISED SURFACE, 0.5mm OFF HOST BOARD
- 12. SURFACE OF RAIL IN CONTACT WITH HOST BOARD
- 13. REFERENCE INSTRUCTION SHEET 408-10102 FOR ADDITIONAL INFORMATION.



SCALE 1:1



PART NUMBER 1367710-1

THIS DRAWING IS A CONTROLLED DOCUMENT FOR TYCO ELECTRONICS CORPORATION IT IS SUBJECT TO CHANGE AND THE CONTROLLING ENGINEERING ORGANIZATION SHOULD BE CONTACTED FOR THE LATEST REVISION.		DWN D.E.STAHL 16JUN2005	Tyco Electronics Harrisburg, PA 17105-3608	
DIMENSIONS: mm		CHK E.BRIGHT 16JUN2005		
TOLERANCES UNLESS OTHERWISE SPECIFIED:		APVD E.BRIGHT 16JUN2005	NAME X2 CAST METAL GUIDE FRAME, TYPE 2	
0 PLC ±.5 1 PLC ±.2 2 PLC ±.1 3 PLC ±.05 4 PLC ±. ANGLES ±.1		PRODUCT SPEC -	RESTRICTED TO -	
MATERIAL -		APPLICATION SPEC -	SIZE A3	CAGE CODE 00779
FINISH -		WEIGHT -	DRAWING NO 1367710	
		CUSTOMER DRAWING		SCALE 3:2
				SHEET 1 OF 4
				REV A1

4

3

2

1

THIS DRAWING IS UNPUBLISHED. RELEASED FOR PUBLICATION 20
 © COPYRIGHT 20 BY TYCO ELECTRONICS CORPORATION. ALL RIGHTS RESERVED.

LOC	DIST	REVISIONS			
P	LTR	DESCRIPTION	DATE	DWN	APVD
-	-	SEE SHEET 1	-	-	-

D

D

C

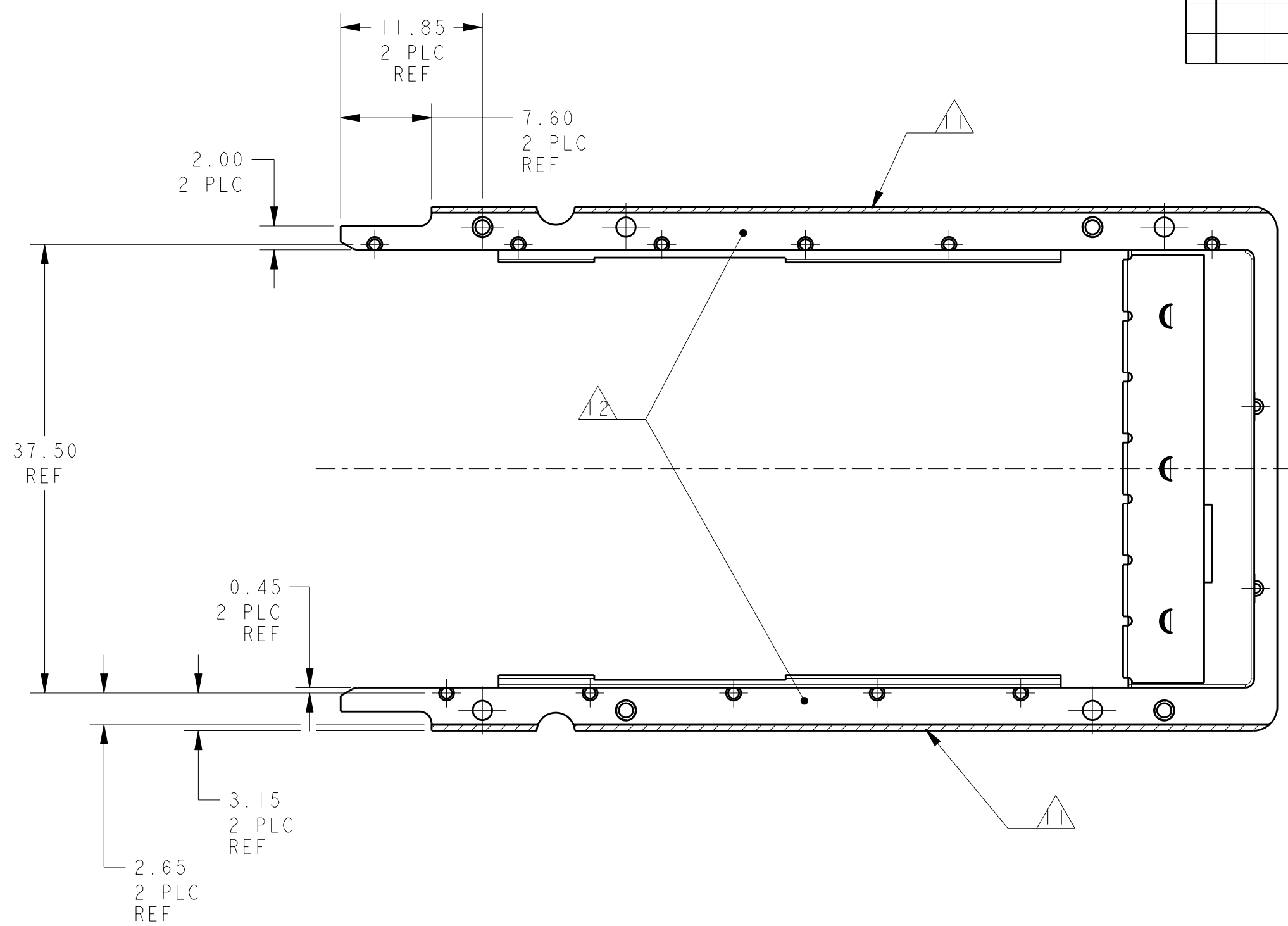
C

B

B

A

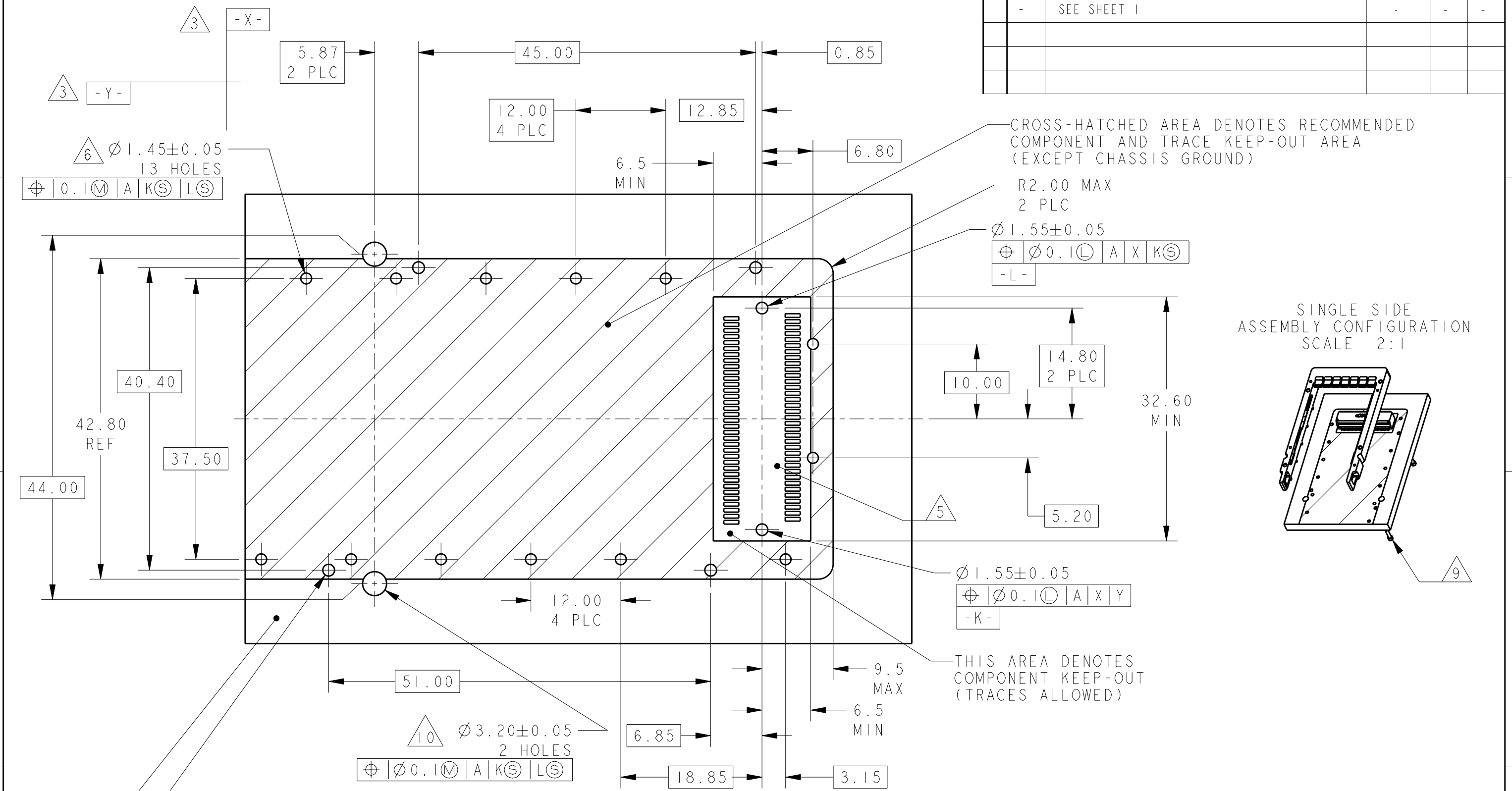
A



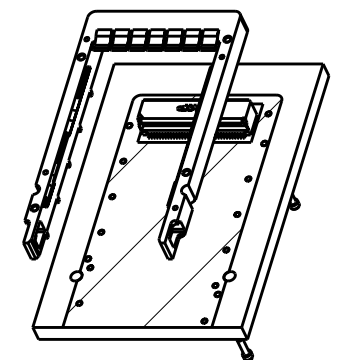
<small>THIS DRAWING IS A CONTROLLED DOCUMENT FOR TYCO ELECTRONICS CORPORATION IT IS SUBJECT TO CHANGE AND THE CONTROLLING ENGINEERING ORGANIZATION SHOULD BE CONTACTED FOR THE LATEST REVISION.</small>		DWN D.E. STAHL 16JUN2005 CHK E. BRIGHT 16JUN2005 APVD E. BRIGHT 16JUN2005		Tyco Electronics Harrisburg, PA 17105-3608	
DIMENSIONS: mm 		TOLERANCES UNLESS OTHERWISE SPECIFIED: 0 PLC ±.5 1 PLC ±.2 2 PLC ±.1 3 PLC ±.05 4 PLC ±. ANGLES ±.1		NAME X2 CAST METAL GUIDE FRAME, TYPE 2	
MATERIAL -		FINISH -		PRODUCT SPEC - APPLICATION SPEC - WEIGHT -	
-		-		SIZE A300779 CAGE CODE C-1367710	RESTRICTED TO -
CUSTOMER DRAWING				SCALE 3:2	SHEET 2 OF 4 REV A

THIS DRAWING IS UNPUBLISHED. RELEASED FOR PUBLICATION 20
 © COPYRIGHT 20 BY TYCO ELECTRONICS CORPORATION. ALL RIGHTS RESERVED.

LOC	DIST	P	LTR	DESCRIPTION	DATE	DWN	APVD
-	-	-	-	SEE SHEET 1	-	-	-



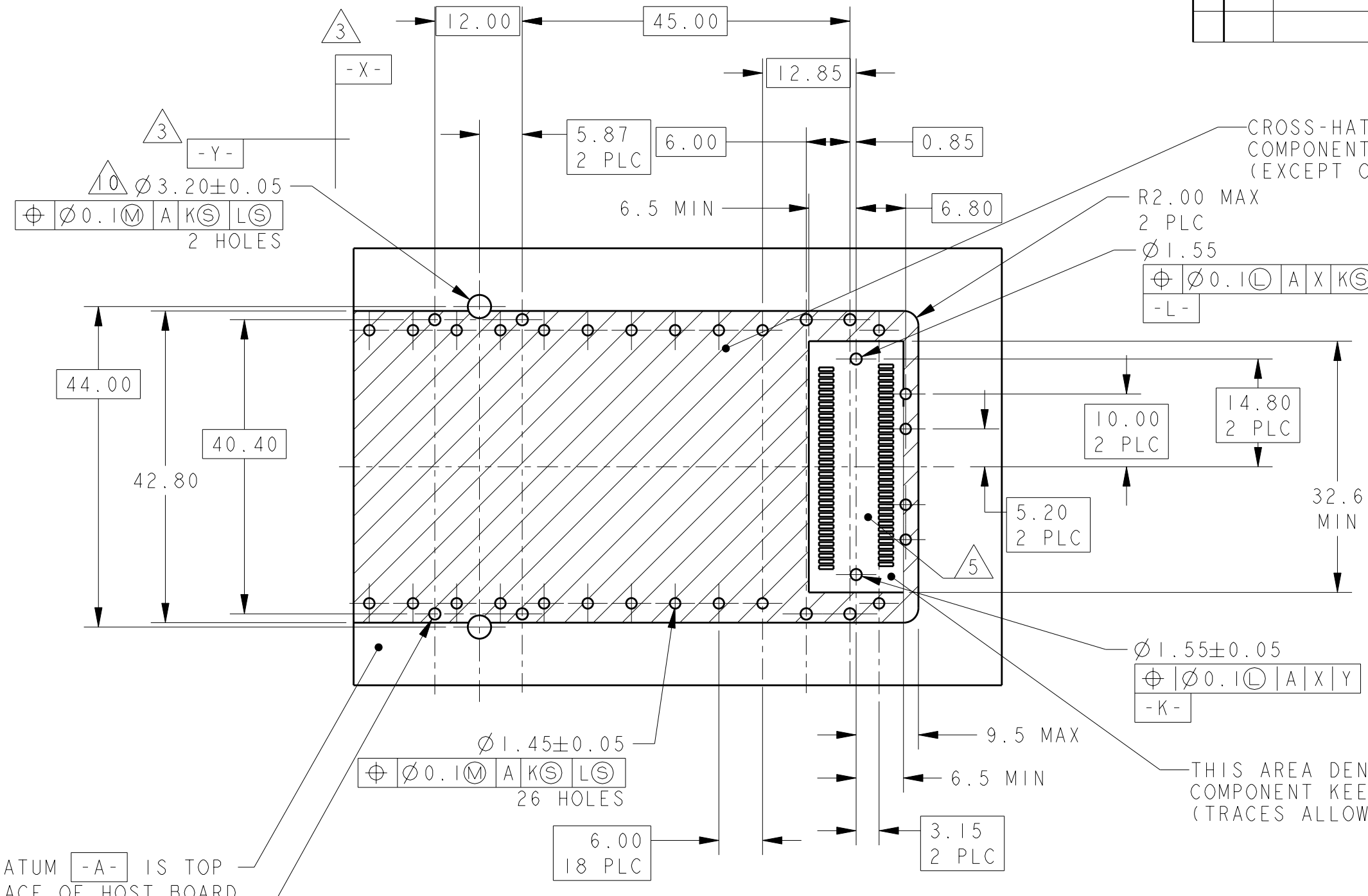
SINGLE SIDE ASSEMBLY CONFIGURATION
SCALE 2:1



THIS DRAWING IS A CONTROLLED DOCUMENT FOR TYCO ELECTRONICS CORPORATION IT IS SUBJECT TO CHANGE AND THE CONTROLLING ENGINEERING ORGANIZATION SHOULD BE CONTACTED FOR THE LATEST REVISION.		DWN D.E.STAHL 16JUN2005 CHK E.BRIGHT 16JUN2005 APVD E.BRIGHT 16JUN2005		tyco Electronics		Tyco Electronics Harrisburg, PA 17105-3608	
DIMENSIONS: mm		TOLERANCES UNLESS OTHERWISE SPECIFIED: 0 PLC ±.5 1 PLC ±.2 2 PLC ±.1 3 PLC ±.05 4 PLC ±. ANGLES ±.1		NAME X2 CAST METAL GUIDE FRAME, TYPE 2		RESTRICTED TO	
MATERIAL -		FINISH -		PRODUCT SPEC -		APPLICATION SPEC -	
WEIGHT -		CUSTOMER DRAWING		SIZE A3 CAGE CODE 300779 DRAWING NO C-1367710		SCALE 3:2 SHEET 3 OF 4 REV A	

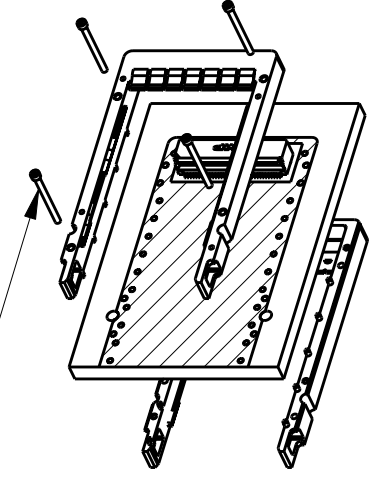
THIS DRAWING IS UNPUBLISHED. RELEASED FOR PUBLICATION 20
 © COPYRIGHT 20 BY TYCO ELECTRONICS CORPORATION. ALL RIGHTS RESERVED.

LOC	DIST	P	LTR	DESCRIPTION	DATE	DWN	APVD
-	-	-	-	SEE SHEET 1	-	-	-



CROSS-HATCHED AREA DENOTES RECOMMENDED COMPONENT AND TRACE KEEP-OUT AREA (EXCEPT CHASSIS GROUND)

X2 RECOMMENDED PCB LAYOUT FOR BELLY TO BELLY CONFIGURATION SCALE 2:1



THIS AREA DENOTES COMPONENT KEEP-OUT AREA (TRACES ALLOWED)

DATUM -A- IS TOP SURFACE OF HOST BOARD

THIS DRAWING IS A CONTROLLED DOCUMENT FOR TYCO ELECTRONICS CORPORATION IT IS SUBJECT TO CHANGE AND THE CONTROLLING ENGINEERING ORGANIZATION SHOULD BE CONTACTED FOR THE LATEST REVISION.

DIMENSIONS:	TOLERANCES UNLESS OTHERWISE SPECIFIED:
mm	0 PLC ±.5
	1 PLC ±.2
	2 PLC ±.1
	3 PLC ±.05
	4 PLC ±.
	ANGLES ±.1
MATERIAL	FINISH

DWN	D.E. STAHL	16 JUN 2005
CHK	E. BRIGHT	16 JUN 2005
APVD	E. BRIGHT	16 JUN 2005
PRODUCT SPEC	-	-
APPLICATION SPEC	-	-
WEIGHT	-	-
CUSTOMER DRAWING		

tyco Electronics		Tyco Electronics Harrisburg, PA 17105-3608	
NAME X2 CAST METAL GUIDE FRAME, TYPE 2			
SIZE	CAGE CODE	DRAWING NO	RESTRICTED TO
A3	00779	C-1367710	-
SCALE 3:2		SHEET 4 OF 4	REV A