



Chipsmall Limited consists of a professional team with an average of over 10 year of expertise in the distribution of electronic components. Based in Hongkong, we have already established firm and mutual-benefit business relationships with customers from,Europe,America and south Asia,supplying obsolete and hard-to-find components to meet their specific needs.

With the principle of "Quality Parts,Customers Priority,Honest Operation,and Considerate Service",our business mainly focus on the distribution of electronic components. Line cards we deal with include Microchip,ALPS,ROHM,Xilinx,Pulse,ON,Everlight and Freescale. Main products comprise IC,Modules,Potentiometer,IC Socket,Relay,Connector.Our parts cover such applications as commercial,industrial, and automotives areas.

We are looking forward to setting up business relationship with you and hope to provide you with the best service and solution. Let us make a better world for our industry!



## Contact us

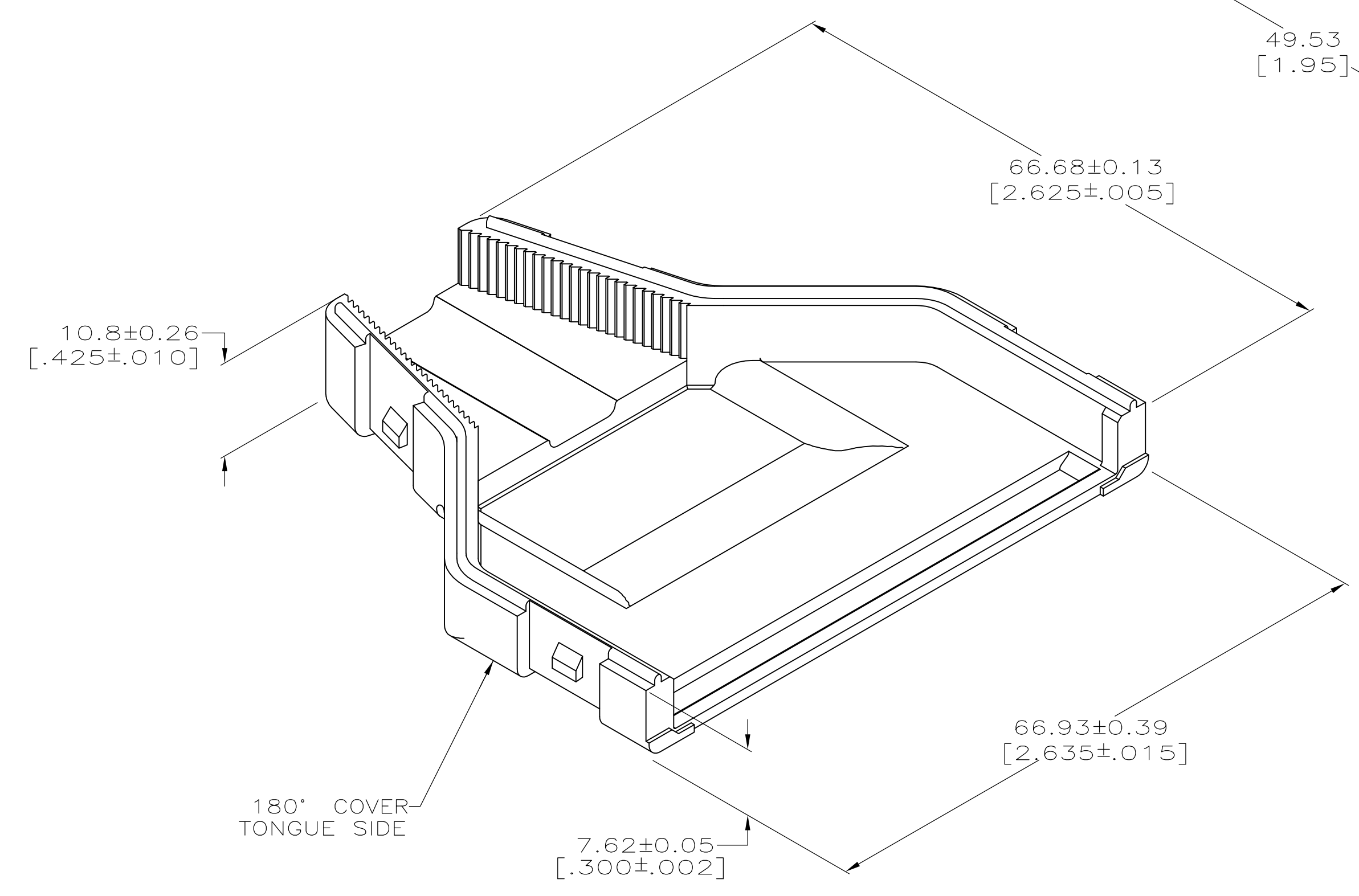
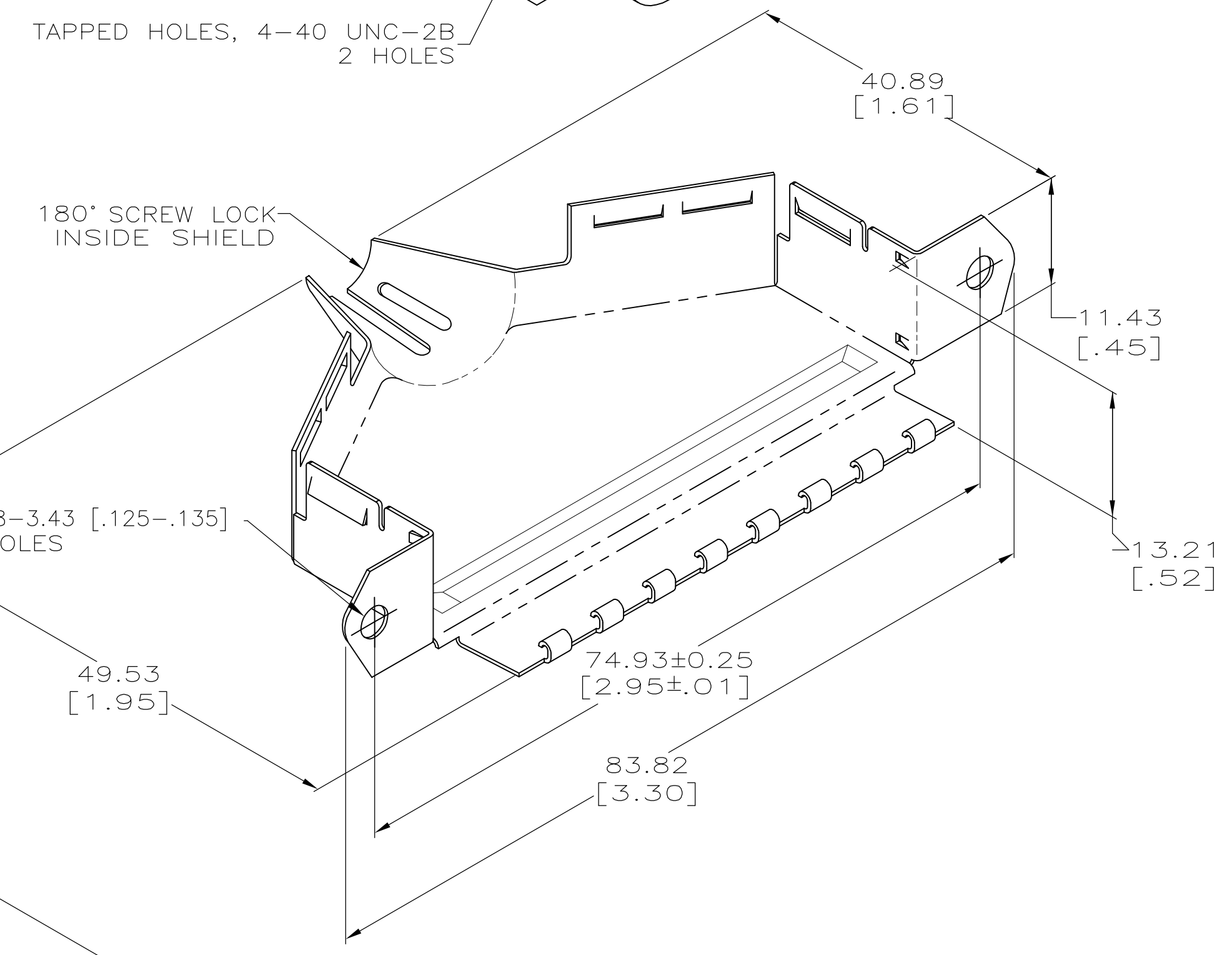
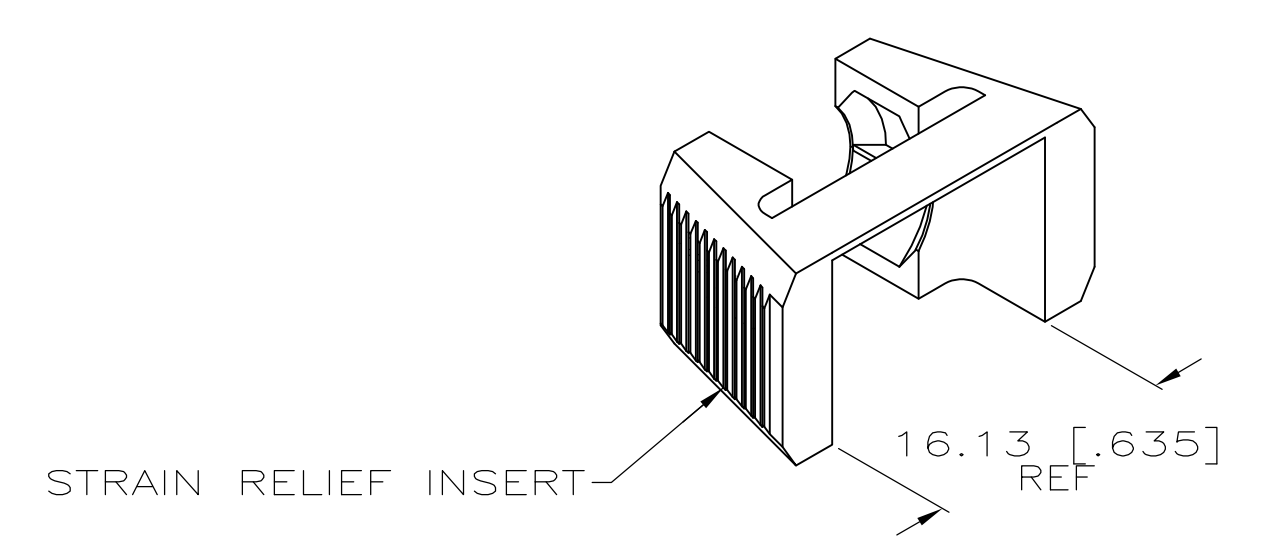
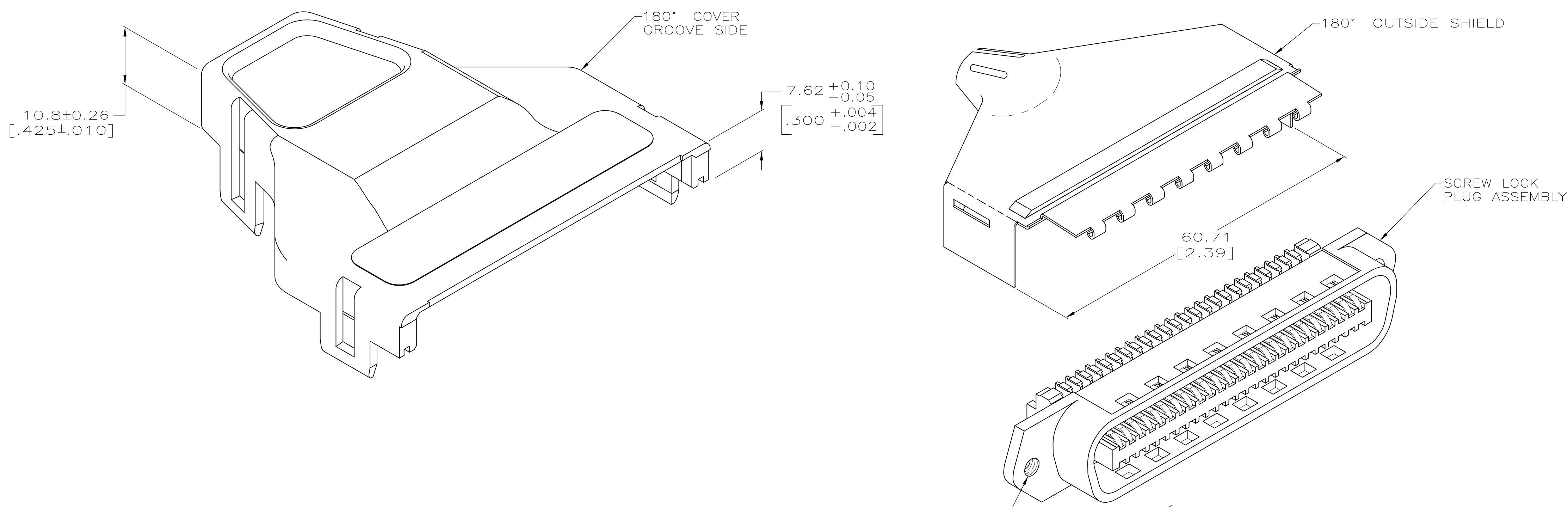
Tel: +86-755-8981 8866 Fax: +86-755-8427 6832

Email & Skype: info@chipsmall.com Web: www.chipsmall.com

Address: A1208, Overseas Decoration Building, #122 Zhenhua RD., Futian, Shenzhen, China



LOC		DIST		REVISIONS			
GP	00	REV	DATE	BY	CHK	APPV	
E		REVISED PER ECO-09-010043	11MAY2009	CR	PR		



- THIS KIT SHIPPED NOT ASSEMBLED.
- ⚠ MATERIAL: SHIELDS - BRIGHT NICKEL PLATED CARBON STEEL.  
 PLUG HOUSING - POLYPHENYLENE OXIDE, BLACK.  
 TERMINAL - HIGH STRENGTH COPPER ALLOY PLATED WITH EITHER 0.76µm [.000030] MIN GOLD OR GOLD FLASH OVER PALLADIUM NICKEL PLATE, 0.76µm [.000030] MIN TOTAL ON MATING SURFACE, 1.27µm [.000050] MIN NICKEL UNDERPLATE OVER ENTIRE TERMINAL.  
 STRAIN RELIEF - POLYPROPYLENE, BLACK.
- CABLE RANGE: Ø6.35-12.7 [.250-.500].
- CENTER-TO-CENTER SPACING OF TERMINALS 2.16 [.085] NOMINAL.
- ⚠ WIRE SIZE: 24 OR 26 AWG SOLID OR 24 AWG 7 STRANDS OF COPPER CONDUCTORS. MAXIMUM INSULATION DIAMETER OF 1.14 [.045] IS ACCEPTABLE FOR MOST APPLICATIONS.
- ⚠ DIMENSIONS ARE MAXIMUM UNLESS OTHERWISE SPECIFIED.
- BULK PACKAGED 100 KITS PER BOX.

AS SHOWN	1368365-1
DESCRIPTION	PART NUMBER

THIS DRAWING IS A CONTROLLED DOCUMENT.

DIMENSIONS: mm [INCHES]	TOLERANCES UNLESS OTHERWISE SPECIFIED:	DL DRUMMOND 19MAR2003	Tyco Electronics Corporation Harrisburg, PA 17105-3608
0 PLC ± -	1 PLC ± 0.2	DL DRUMMOND 19MAR2003	
2 PLC ± 0.25	3 PLC ± -	RP MCCRAW 19MAR2003	
4 PLC ± -	ANGLES ± 3°		
MATERIAL	FINISH	SIZE	CAGE CODE
		A1	00779
		DRAWING NO	1368365
		WEIGHT	
		CUSTOMER DRAWING	

SCALE 2:1 SHEET 1 OF 1 REV E