



Chipsmall Limited consists of a professional team with an average of over 10 year of expertise in the distribution of electronic components. Based in Hongkong, we have already established firm and mutual-benefit business relationships with customers from,Europe,America and south Asia,supplying obsolete and hard-to-find components to meet their specific needs.

With the principle of “Quality Parts,Customers Priority,Honest Operation,and Considerate Service”,our business mainly focus on the distribution of electronic components. Line cards we deal with include Microchip,ALPS,ROHM,Xilinx,Pulse,ON,Everlight and Freescale. Main products comprise IC,Modules,Potentiometer,IC Socket,Relay,Connector.Our parts cover such applications as commercial,industrial, and automotives areas.

We are looking forward to setting up business relationship with you and hope to provide you with the best service and solution. Let us make a better world for our industry!



Contact us

Tel: +86-755-8981 8866 Fax: +86-755-8427 6832

Email & Skype: info@chipsmall.com Web: www.chipsmall.com

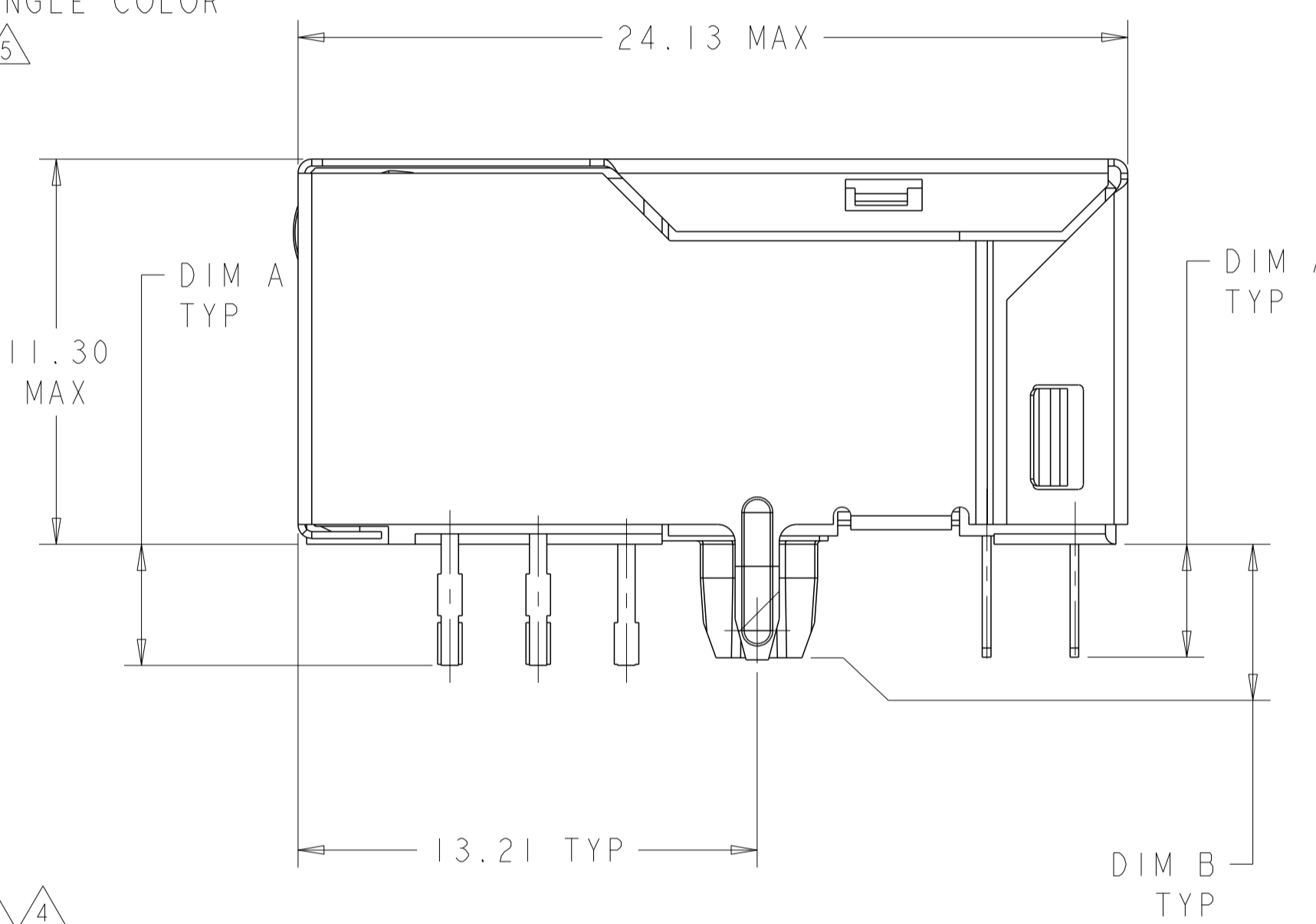
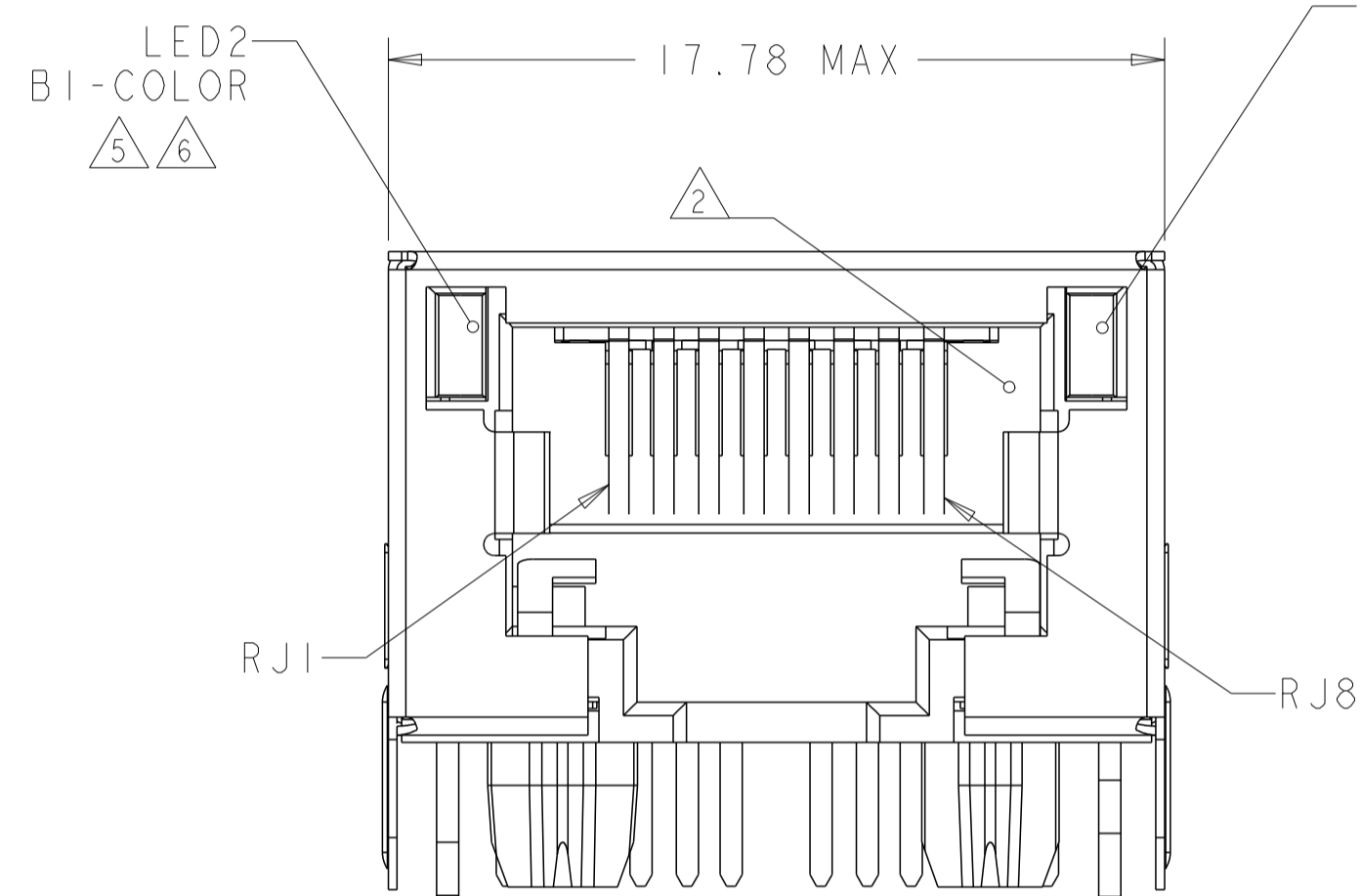
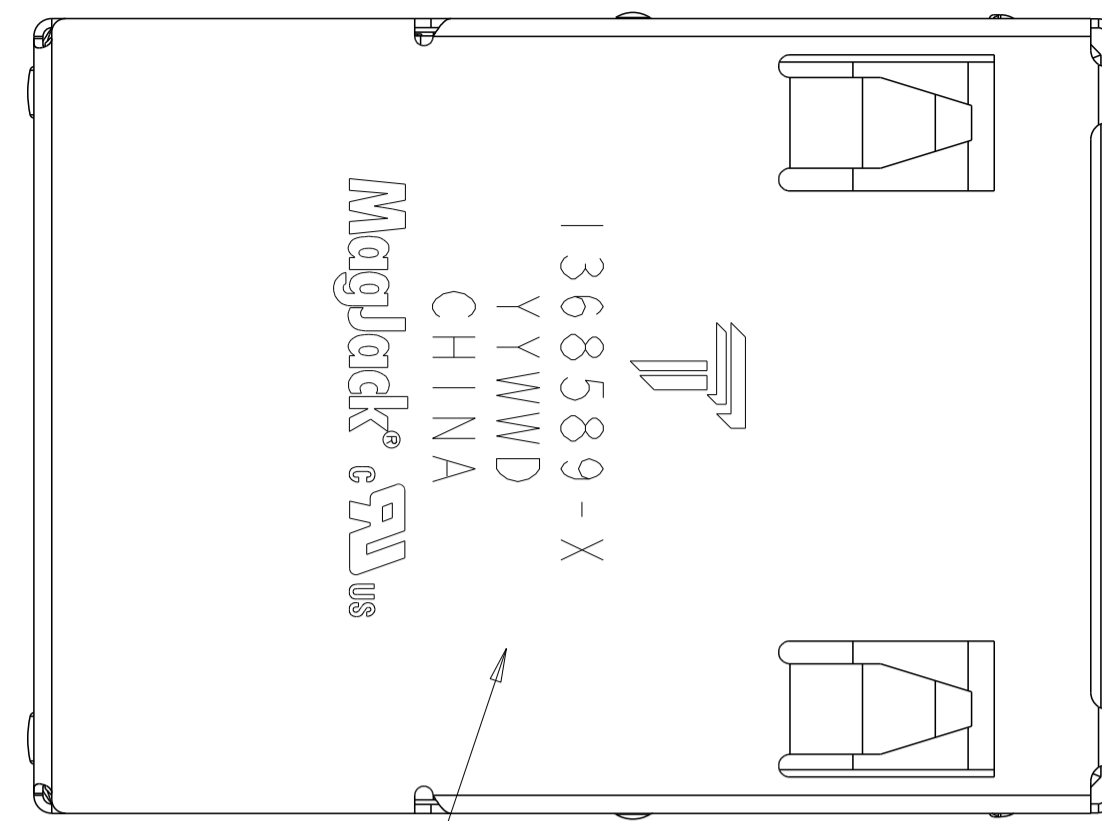
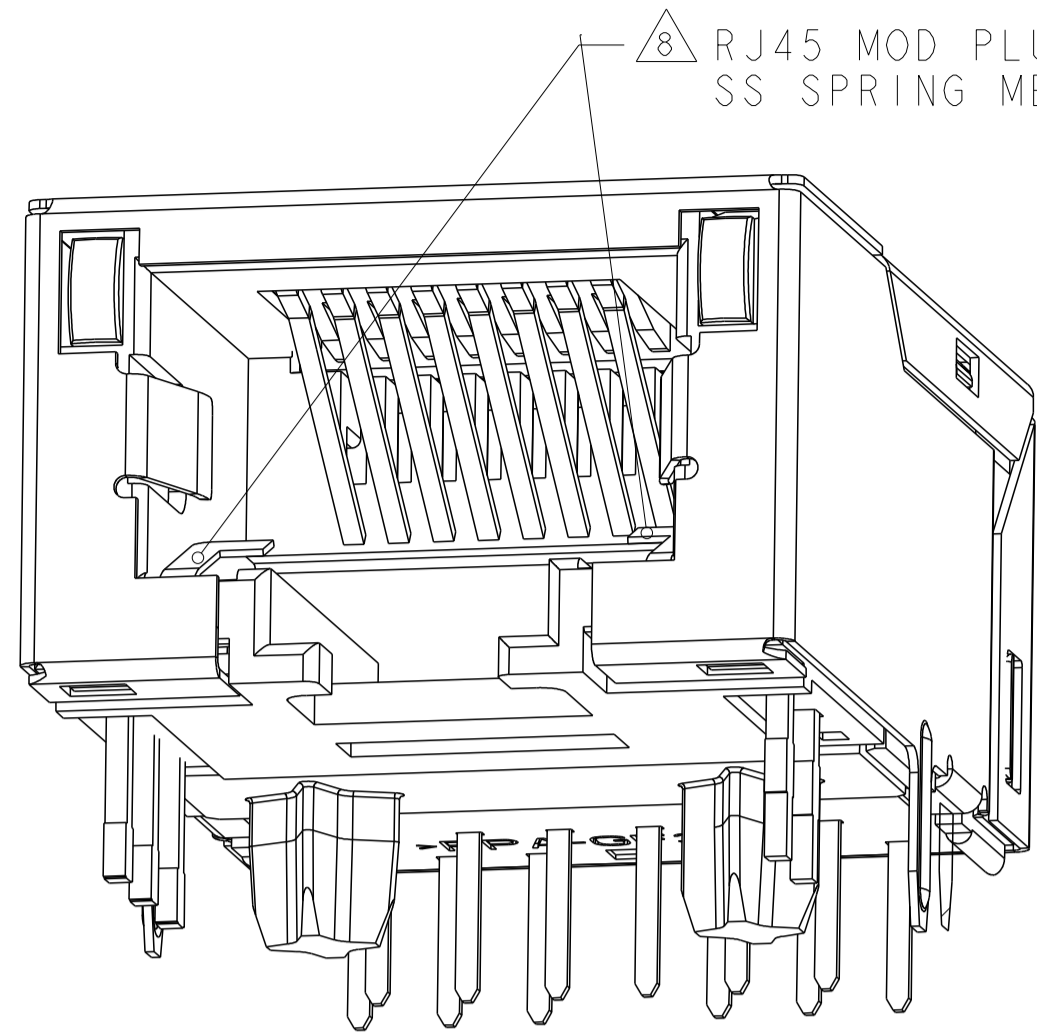
Address: A1208, Overseas Decoration Building, #122 Zhenhua RD., Futian, Shenzhen, China



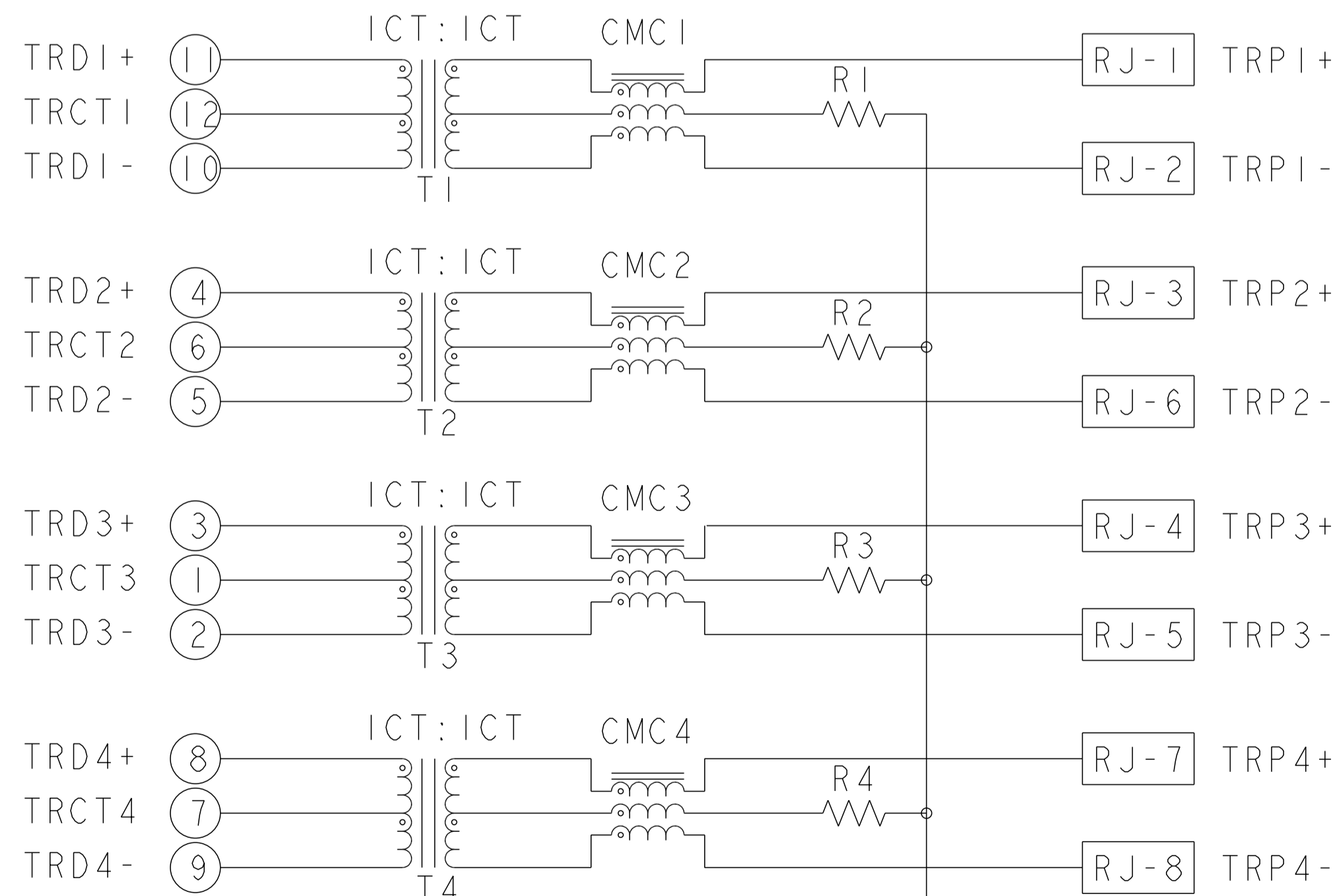
THIS DRAWING AND THE SUBJECT MATTER SHOWN THEREON ARE CONFIDENTIAL AND THE PROPERTY OF BEL/STEWART/TRP CONNECTOR AND SHALL NOT BE REPRODUCED, COPIED, OR USED IN ANY MANNER WITHOUT THE WRITTEN CONSENT OF TRP CONNECTOR.

PRODUCT MAY BE PROTECTED BY ONE OR MORE OF THE FOLLOWING US PATENTS:
 5736910 5939955 6425781 6428361 6554638 6840817 7123117
 7429195 7717749 7808751 6217391 6149050 7924130

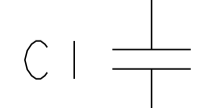
| REVISIONS | | | | |
|-----------|------------------------------------|-------------|-----------|----------|
| P | LTN | DESCRIPTION | DATE | OWN APVD |
| G | EC-1309003 | | 11SEP2013 | TY TY |
| H | COMPANY LOGO CHANGE AND EC-1409035 | | 06JAN2015 | TYR TYN |



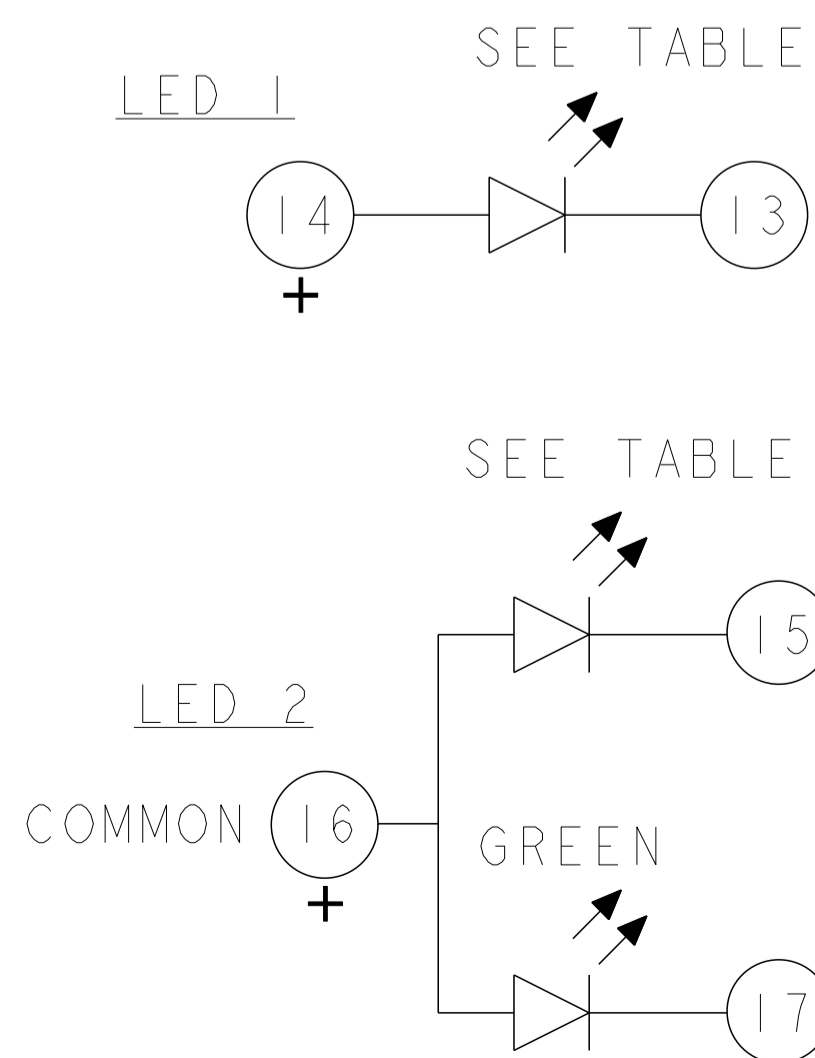
8G18 GIGABIT CIRCUIT



C1=1000pF, 3KV, ±10%, X7R DECOUPLING CAP
 R1-R4 = 75 OHMS, 1/16 W, ±5% RESISTORS



SHIELD



1. MATERIALS:
 -HOUSING: HIGH TEMPERATURE NYLON, BLACK, UL 94V-0
 -SHIELD: 0.20±0.02mm THICK, BRASS PREPLATED WITH 0.76um MIN SEMI-BRIGHT NICKEL; POST-DIPPED WITH 2 um MIN LEAD FREE TIN SOLDER
 -CONTACT TAILS: 0.25mm THICK, PHOSPHOR BRONZE, 1.27 um MIN OVERALL NICKEL UNDERPLATE, 3 um MIN TIN PLATE
 -MOD JACK CONTACTS: 0.25mm THICK, PHOSPHOR BRONZE, 1.27 um MIN OVERALL NICKEL UNDERPLATE, WITH 0.76um MIN LOCALIZED GOLD PLATE AT PLUG INTERFACE
 -LIGHT EMITTING DIODE (LED): DIFFUSED EPOXY LENS, CARBON STEEL WIREFRAME PREPLATED WITH 2.03um SILVER PLATE OVER 1.02um NICKEL OVER 1.02um COPPER UNDERPLATES, LEADS POST-PLATED WITH 3.05 um Min TIN, TIP TIN DIPPING
 -LIGHT PIPE: POLYETHER SULFONE

2. RJ45 JACK CAVITY CONFORMS TO FCC RULES AND REGULATIONS PART 68, SUB-PART F.

3. MAGNETICS:
 -APPLICATION: 10/100/1000 BASE-T
 -IMPEDANCE : 100 OHMS ±15%
 -TURNS RATIO (CHIP:CABLE): 1:1 ALL 4 PAIRS
 -OPEN CIRCUIT INDUCTANCE (OCL): 350uH (MIN) @100KHz, 0.1 VRMS
 8 mA DC BIAS FROM 0°C TO 70°C, ALL FOUR PAIRS.
 -ALL FOUR PAIRS BI-DIRECTIONAL
 -PERFORMANCE @25°C:

| FREQUENCY | INSERTION LOSS (dB MAX) | RETURN LOSS (dB MIN) CIRCUIT IMPEDANCE = 100 OHMS ±15% | COMMON MODE REJECTION RATIO (dB MIN) | CROSSTALK ATTENUATION (dB MIN) |
|----------------------|-------------------------|--|--------------------------------------|--|
| 0.5 MHz - 40.0 MHz | 1.1 | 18.0 | 30 | 35 |
| 40.1 MHz - 100.0 MHz | | 12-20 log(f/80) f IS FREQUENCY IN MHZ | | 33-20 log(f/50) f IS FREQUENCY IN MHZ |

- ISOLATION VOLTAGE: COMPLIES WITH IEEE802.3.2002, PARA 40.6.1.1, ITEM a AND b

4. OPERATING TEMPERATURE: FROM 0°C TO 70°C

5. LED IS DRIVEN WITH CONSTANT CURRENT AT APPROX 20mA.
 LED COLOR: DOMINANT WAVELENGTH (λD): GREEN 568 nm TYP. at IF=20mA
 FORWARD VOLTAGE (VF): GREEN 2.2V TYP. at IF=20mA
 DOMINANT WAVELENGTH (λD): YELLOW 588 nm TYP. at IF=20mA
 FORWARD VOLTAGE (VF): YELLOW 2.1V TYP. at IF=20mA
 DOMINANT WAVELENGTH (λD): ORANGE 605 nm TYP. at IF=20mA
 FORWARD VOLTAGE (VF): ORANGE 2.1V TYP. at IF=20mA

6. LED 2 WILL EMULATE "YELLOW" LIGHT WHEN BOTH GREEN AND ORANGE DIODES ARE DRIVEN AT CONSTANT CURRENT (20 mA RECOMMENDED) TO INDICATE THE THIRD COLOR STATE.

7. ALL DIMENSIONS ARE NOMINAL UNLESS OTHERWISE NOTED.

8. RJ45 MOD PLUG SELECTIVE - THIS CONNECTOR UTILIZES STEEL SPRING MEMBER WHICH PREVENTS THE INSERTION OF A RJ11 (6 POSITION) PLUG INTO THE JACK PORT, WHILE ALLOWING A RJ45 (8 POSITION) PLUG TO MATE FREELY.
 WARNING: THIS FEATURE WAS DEVELOPED FOR TYPICAL PLUG INSERTION FORCES. EXCESSIVE INSERTION FORCE MAY OVERCOME THE SELECTIVE FEATURES AND DAMAGE THE CONNECTOR.

9. TRP CONNECTOR LOGO, DATE CODE, COUNTRY OF ORIGIN, AND AGENCY APPROVAL MARKING IN APPROXIMATE LOCATION SHOWN

10. 1368589-1, 1368589-3 & 1368589-9 SHOWN UNLESS OTHERWISE NOTED.

11. PART SHOULD BE COMPLIANT WITH BOTH WAVE SOLDERING PROCESS PEAK SOLDERING TEMPERATURE 260°C MAX, 10 SECONDS MAX; AND IR REFLOW SOLDERING PROCESS PEAK SOLDERING TEMPERATURE 260°C MAX DURATION TIME 10 SECONDS MAX, OVER 230°C WITHIN 40- 60 SECONDS.

12. PART SHOULD BE COMPLIANT WITH WAVE SOLDERING PROCESS ONLY, PREHEAT TEMPERATURE IS 120°C TO 160°C, 120 SECONDS TO 180 SECONDS, PEAK SOLDERING TEMPERATURE 260°C MAX, 10 SECONDS MAX;

| TRAY | WAVE | NO | G /YELLOW | GREEN | 3.3 | 3.18 | 1368589-9 |
|----------------|----------------|---------------|-----------|--------|-------|-------|-----------|
| TRAY | WAVE | TOP AND SIDES | G /ORANGE | YELLOW | 3.3 | 3.18 | 1368589-8 |
| TAPE AND REEL | BOTH | TOP AND SIDES | G /ORANGE | YELLOW | 1.8 | 1.8 | 1368589-7 |
| TRAY | WAVE | TOP ONLY | G /ORANGE | YELLOW | 1.8 | 1.8 | 1368589-6 |
| TRAY | WAVE | TOP AND SIDES | G /ORANGE | GREEN | 3.3 | 3.18 | 1368589-5 |
| TRAY | WAVE | NO | G /ORANGE | GREEN | 1.8 | 1.8 | 1368589-4 |
| TRAY | WAVE | NO | G /ORANGE | GREEN | 3.3 | 3.18 | 1368589-3 |
| TAPE AND REEL | BOTH | NO | G /ORANGE | YELLOW | 1.8 | 1.8 | 1368589-2 |
| TRAY | WAVE | NO | G /ORANGE | YELLOW | 3.3 | 3.18 | 1368589-1 |
| PACKAGE METHOD | SOLDER PROCESS | GROUND TABS | LED 2 | LED 1 | DIM B | DIM A | PART NO. |

| | | |
|--|-------|------------------------------|
| THIS DRAWING IS A CONTROLLED DOCUMENT. | | OWN: TOWER YU 27JUL2005 |
| DIMENSIONS: mm | | CHK: TEDDY X LONG 27JUL2005 |
| TOLERANCES UNLESS OTHERWISE SPECIFIED: | | APVD: TEDDY X LONG 27JUL2005 |
| 0 PLC | ±0.25 | MODEL NAME |
| 1 PLC | ±0.25 | MAGJACK |
| 2 PLC | ±0.25 | SINGLE NON-POE |
| 3 PLC | ±0.25 | |
| 4 PLC | ± | |
| ANGLES | | |
| PRODUCT SPEC | 114- | CUSTOMER DRAWING |
| 108-2207 | | SCALE 6:1 |

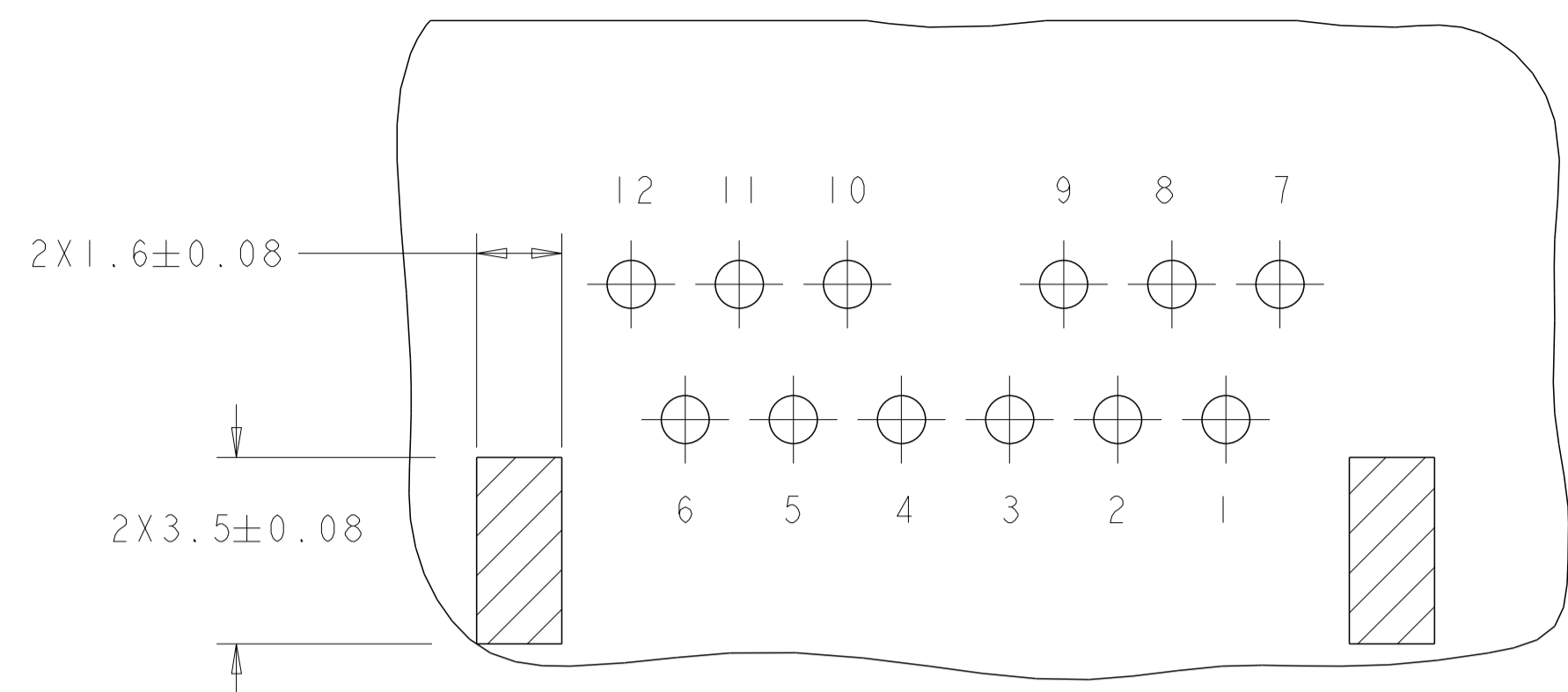
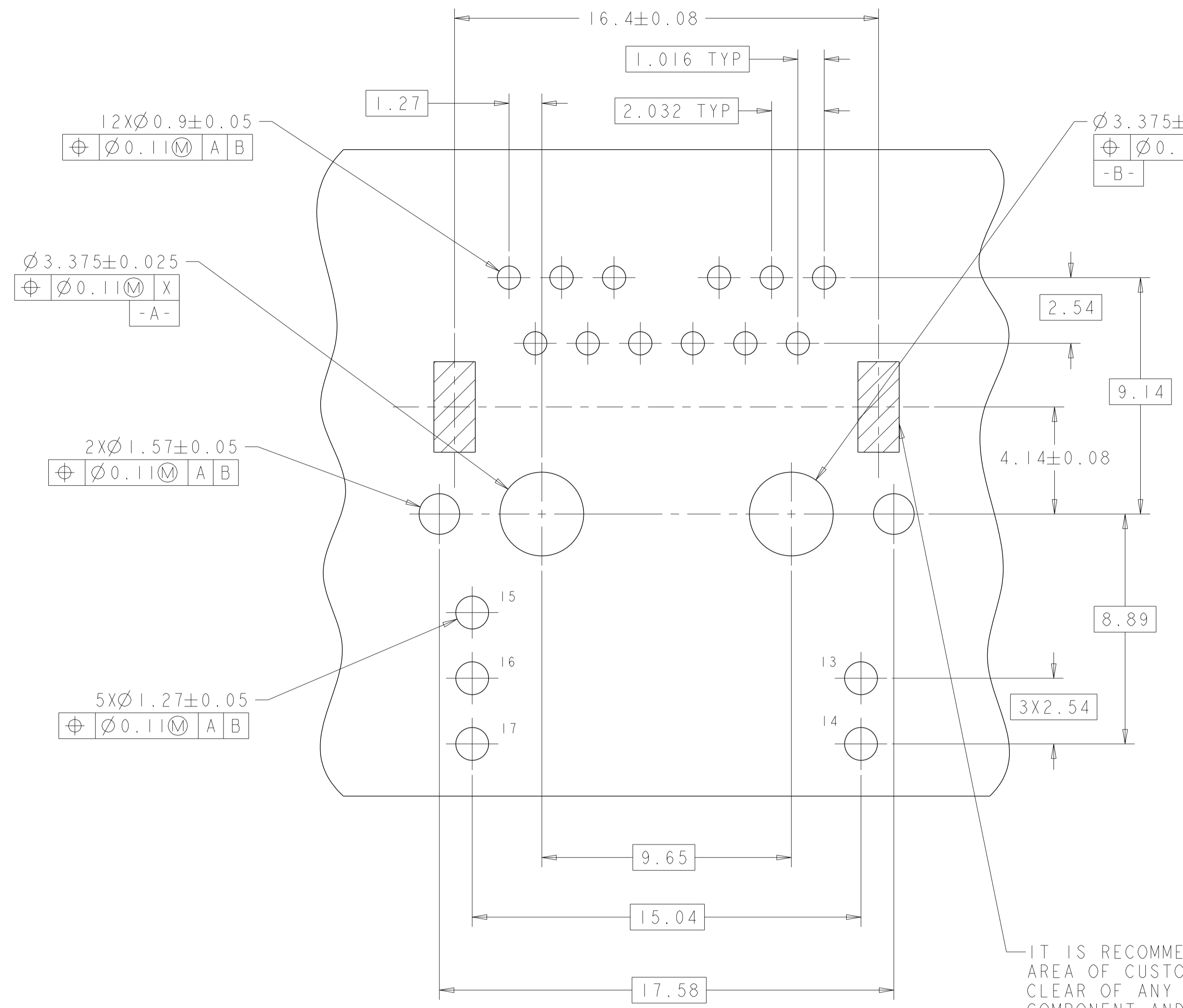
trp CONNECTOR DONGGUAN CHINA

1X1 8G18 GIGABIT TAB DOWN LOW PROFILE W/ LED

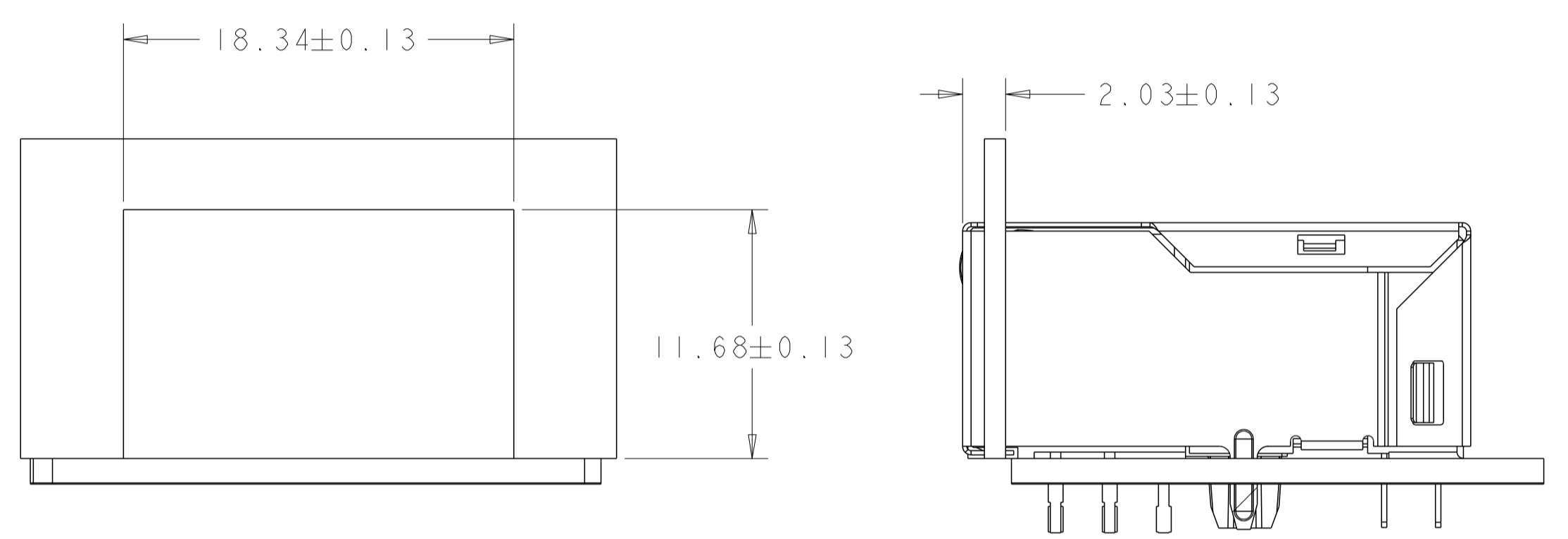
SIZE: CAGE CODE: DRAWING NO: RESTRICTED TO

©=1368589

SHEET 1 OF 2 REV H



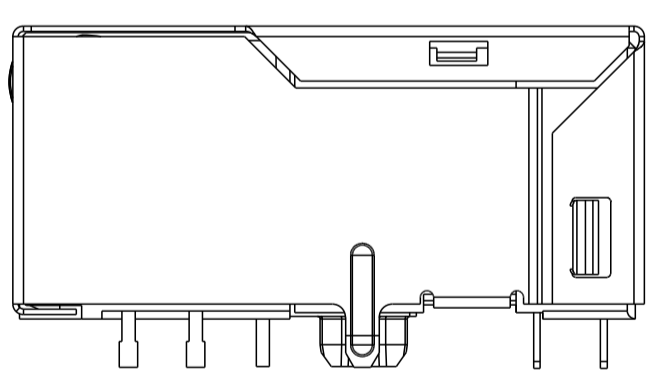
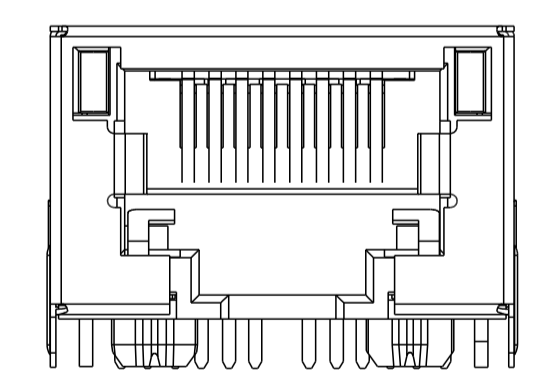
PIN DESIGNATIONS



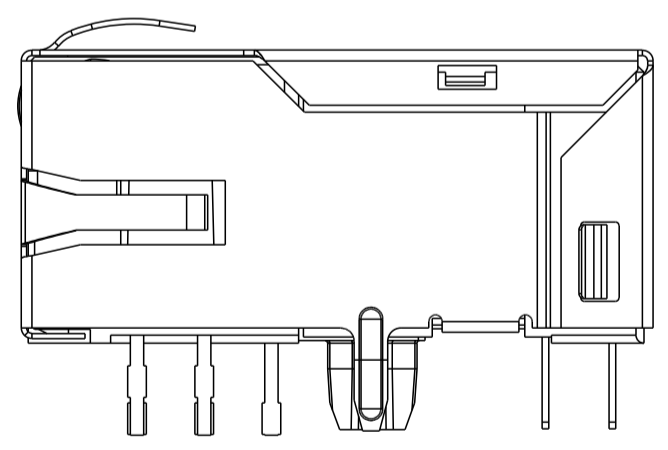
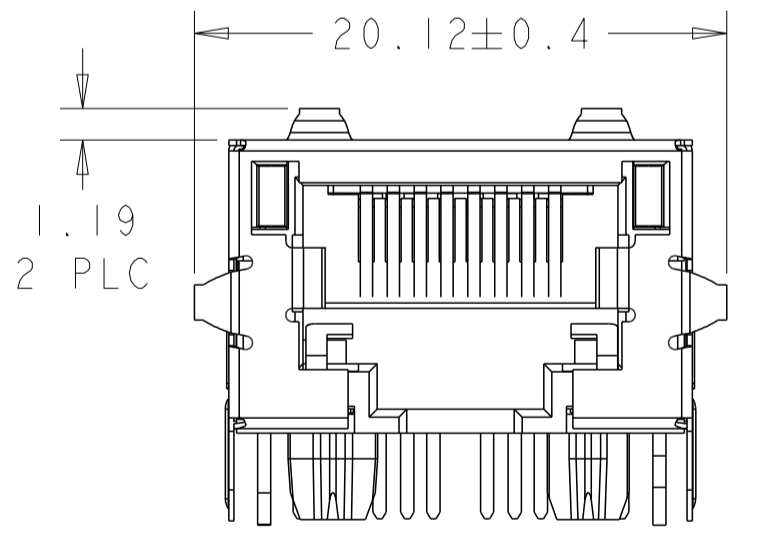
SUGGESTED PANEL OPENING

IT IS RECOMMENDED THAT SHADED AREA OF CUSTOMER PC BOARD BE CLEAR OF ANY VIA HOLE, COMPONENT AND CIRCUIT TRACE

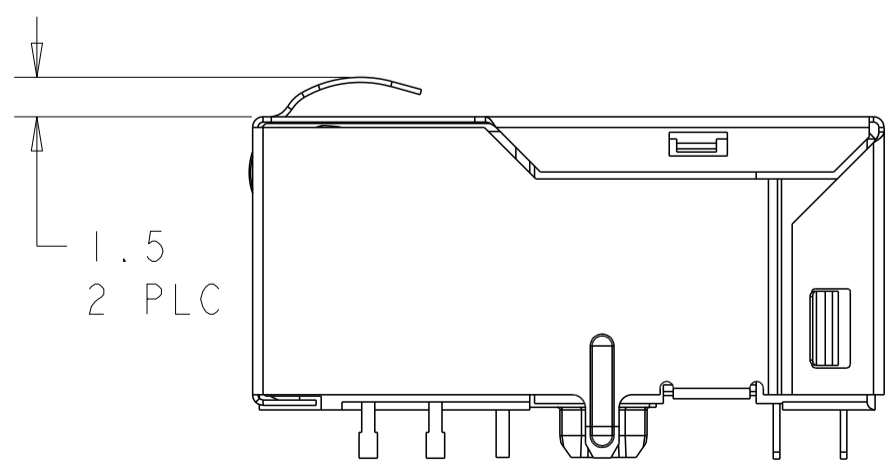
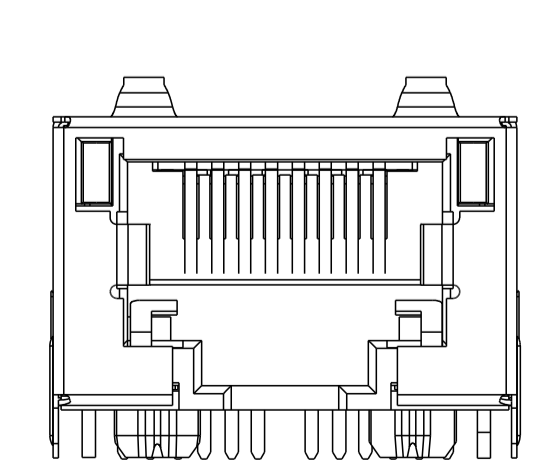
SUGGESTED PCB LAYOUT (COMPONENT SIDE)



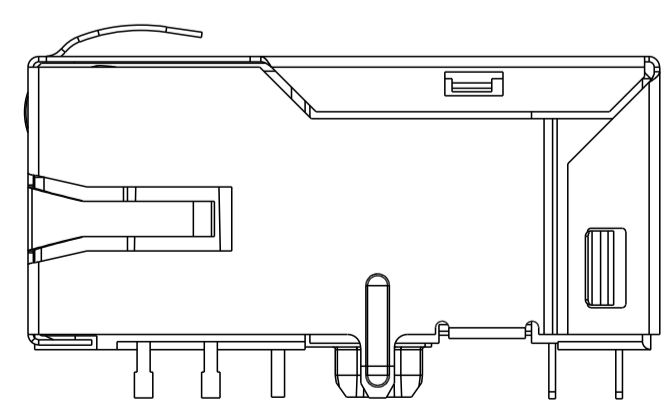
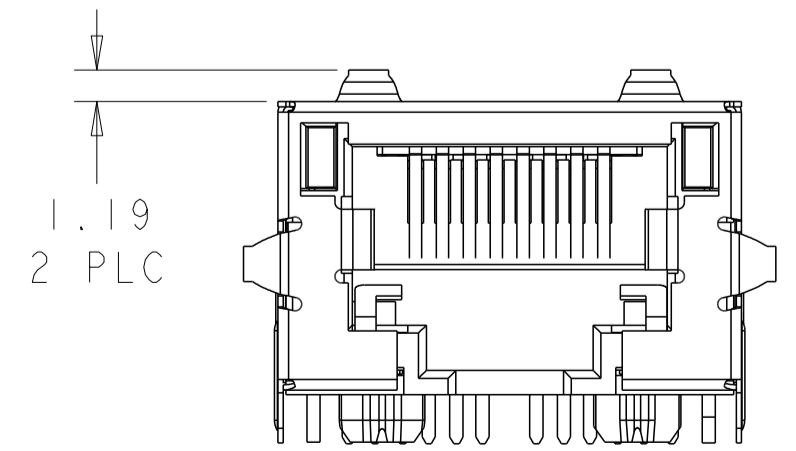
1368589-2
1368589-4



1368589-5
1368589-8



1368589-6



1368589-7

| | | | |
|---|------|--|-------------------------------|
| THIS DRAWING IS A CONTROLLED DOCUMENT. | | OWN: TOWER YU 27JUL2005 | DONGGUAN CHINA |
| DIMENSIONS: mm | | CHK: TEDDY X LONG 27JUL2005 | |
| TOLERANCES UNLESS OTHERWISE SPECIFIED: | | APP'D: TEDDY X LONG 27JUL2005 | |
| 0 PLC ±0.25 1 PLC ±0.25 2 PLC ±0.25 3 PLC ± 4 PLC ± ANGLES ± APPLICATION SPEC | | MODEL NAME: MAGJACK | |
| PRODUCT SPEC: 108-2207 | 114- | DESC: 1X1 8G18 GIGABIT TAB DOWN LOW PROFILE W/ LED | RESTRICTED TO: - |
| CUSTOMER DRAWING | | SIZE: A1 | SCALE: 7:2 SHEET 2 OF 2 REV H |