



Chipsmall Limited consists of a professional team with an average of over 10 year of expertise in the distribution of electronic components. Based in Hongkong, we have already established firm and mutual-benefit business relationships with customers from,Europe,America and south Asia,supplying obsolete and hard-to-find components to meet their specific needs.

With the principle of “Quality Parts,Customers Priority,Honest Operation,and Considerate Service”,our business mainly focus on the distribution of electronic components. Line cards we deal with include Microchip,ALPS,ROHM,Xilinx,Pulse,ON,Everlight and Freescale. Main products comprise IC,Modules,Potentiometer,IC Socket,Relay,Connector.Our parts cover such applications as commercial,industrial, and automotives areas.

We are looking forward to setting up business relationship with you and hope to provide you with the best service and solution. Let us make a better world for our industry!



Contact us

Tel: +86-755-8981 8866 Fax: +86-755-8427 6832

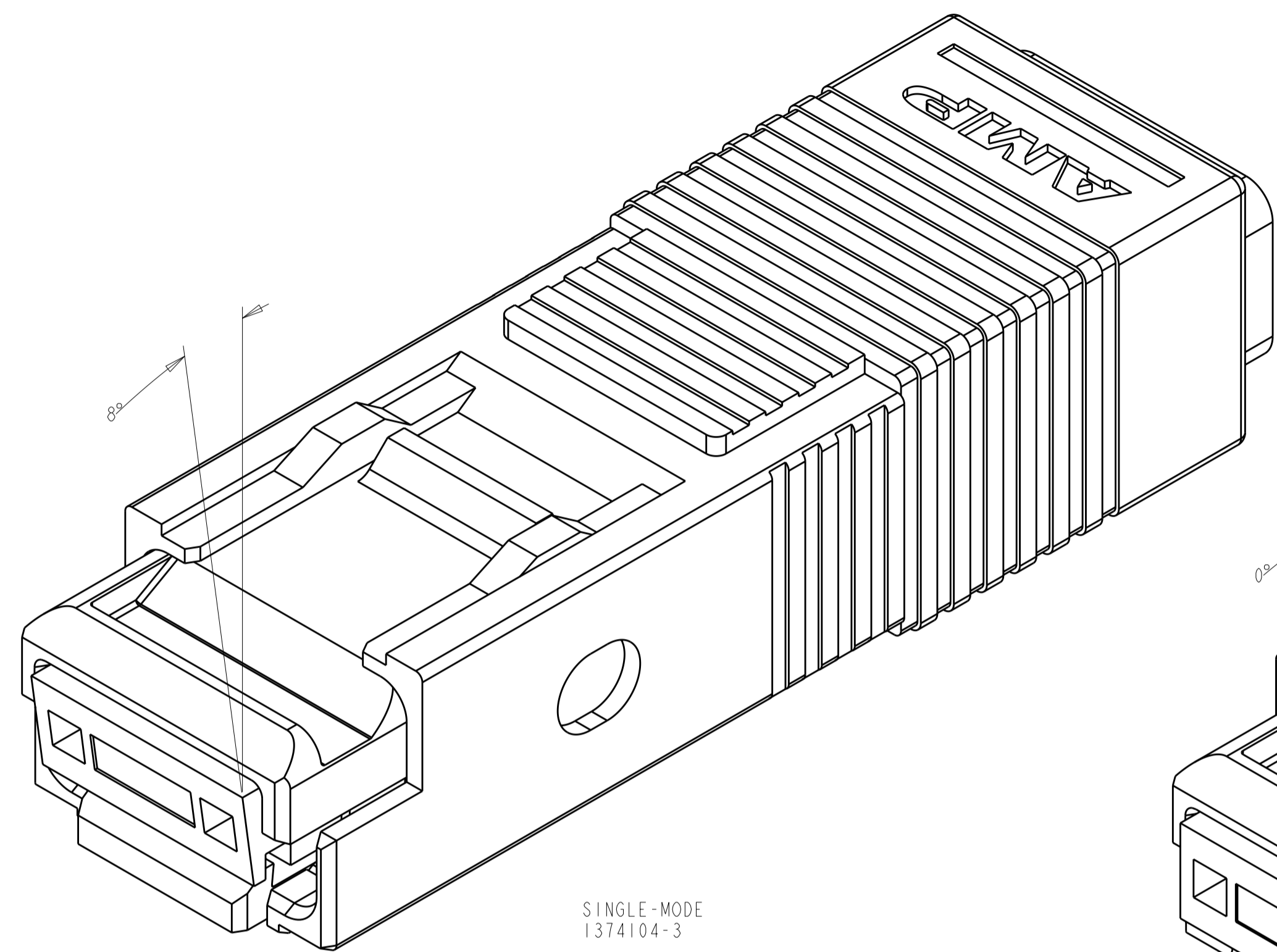
Email & Skype: info@chipsmall.com Web: www.chipsmall.com

Address: A1208, Overseas Decoration Building, #122 Zhenhua RD., Futian, Shenzhen, China

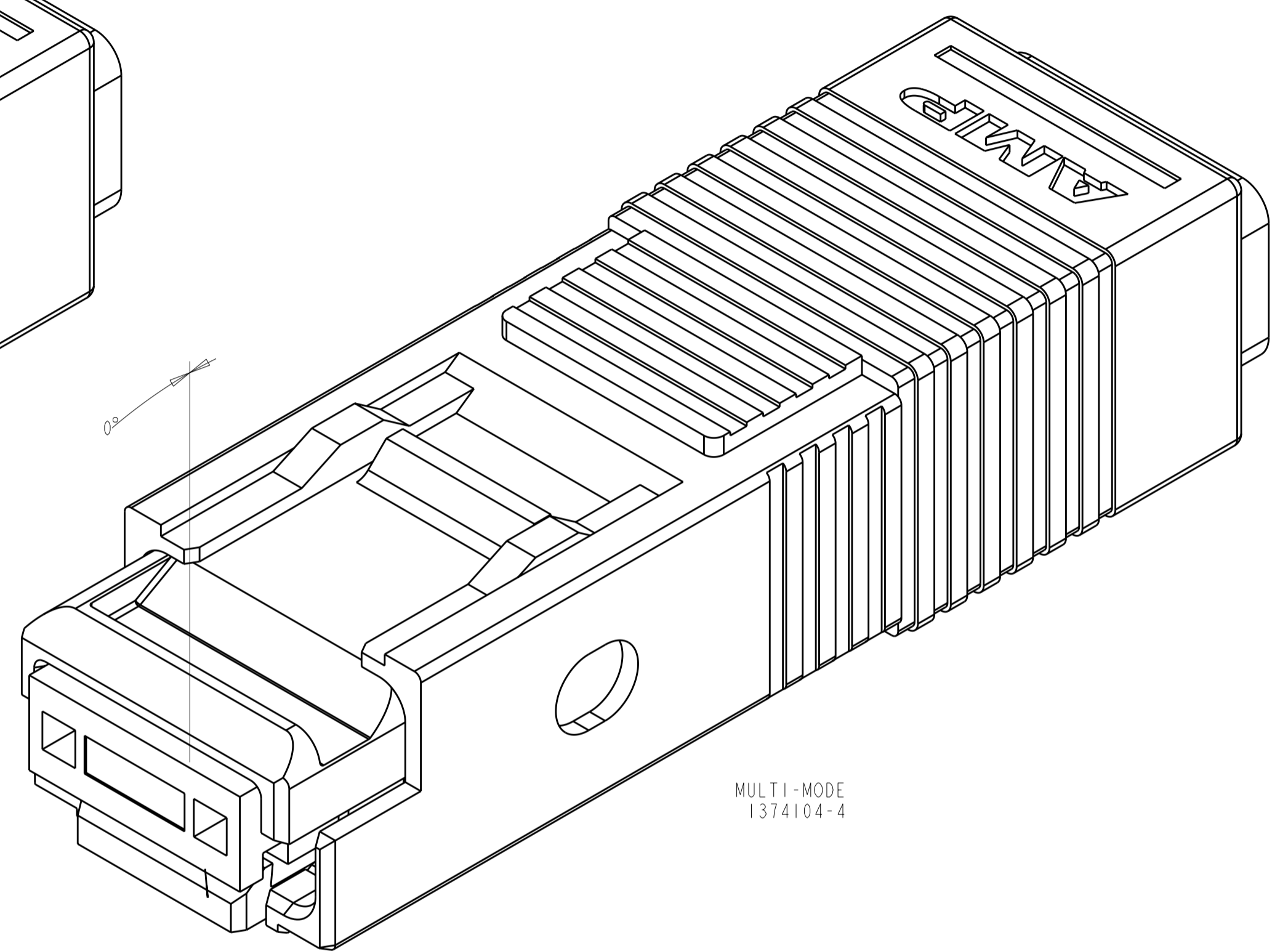


THIS DRAWING IS UNPUBLISHED. RELEASED FOR PUBLICATION 2009
 © COPYRIGHT 2009 BY TYCO ELECTRONICS CORPORATION. ALL INTERNATIONAL RIGHTS RESERVED.

LOC	DIST	REVISIONS			
P	LTR	DESCRIPTION	DATE	DWN	APVD
	D	REV PER ECN-0UB0-0136-01	16FEB2001	LM	SH
	DI	REVISED PER ECO-10-000445	23JAN2010	KK	HMR



SINGLE-MODE
1374104-3



MULTI-MODE
1374104-4

- 1 BULK PACK 25 PIECES.
- 2 OBSOLETE PARTS: OBSOLETE CIS STREAMLINING PER D.RENAUD/D.SINISI

1 2	OBSOLETE	MULTI-MODE	1374104-4
1		SINGLE-MODE	1374104-3
SUPERSEDED BY -3	1	SINGLE-MODE	1374104-2
SUPERSEDED BY -4	1	MULTI-MODE	1374104-1
		FIBER TYPE	PART NUMBER

<small>THIS DRAWING IS A CONTROLLED DOCUMENT FOR TYCO ELECTRONICS CORPORATION. IT IS SUBJECT TO CHANGE AND THE CONTROLLING ENGINEERING ORGANIZATION SHOULD BE CONTACTED FOR THE LATEST REVISION.</small>		DWN S.HILKER 01DEC99 CHK S.Hilker APVD E.ABENDSCHEIN 01DEC99 PRODUCT SPEC APPLICATION SPEC WEIGHT CUSTOMER DRAWING	Tyco Electronics Corporation Harrisburg, PA 17105-3608 NAME DUMMY LIGHTRAY MPX CONNECTOR SIZE A2 CAGE CODE 00779 DRAWING NO C-1374104 RESTRICTED TO SCALE 10:1 SHEET 1 OF 1 REV DI
DIMENSIONS: mm 	TOLERANCES UNLESS OTHERWISE SPECIFIED: 0 PLC ± 1 PLC ±0.5 2 PLC ±0.13 3 PLC ±0.013 4 PLC ±0.0001° ANGLES ± FINISH	Tyco Electronics Corporation Harrisburg, PA 17105-3608 NAME DUMMY LIGHTRAY MPX CONNECTOR SIZE A2 CAGE CODE 00779 DRAWING NO C-1374104 RESTRICTED TO SCALE 10:1 SHEET 1 OF 1 REV DI	Tyco Electronics Corporation Harrisburg, PA 17105-3608 NAME DUMMY LIGHTRAY MPX CONNECTOR SIZE A2 CAGE CODE 00779 DRAWING NO C-1374104 RESTRICTED TO SCALE 10:1 SHEET 1 OF 1 REV DI