



Chipsmall Limited consists of a professional team with an average of over 10 year of expertise in the distribution of electronic components. Based in Hongkong, we have already established firm and mutual-benefit business relationships with customers from,Europe,America and south Asia,supplying obsolete and hard-to-find components to meet their specific needs.

With the principle of “Quality Parts,Customers Priority,Honest Operation,and Considerate Service”,our business mainly focus on the distribution of electronic components. Line cards we deal with include Microchip,ALPS,ROHM,Xilinx,Pulse,ON,Everlight and Freescale. Main products comprise IC,Modules,Potentiometer,IC Socket,Relay,Connector.Our parts cover such applications as commercial,industrial, and automotives areas.

We are looking forward to setting up business relationship with you and hope to provide you with the best service and solution. Let us make a better world for our industry!



Contact us

Tel: +86-755-8981 8866 Fax: +86-755-8427 6832

Email & Skype: info@chipsmall.com Web: www.chipsmall.com

Address: A1208, Overseas Decoration Building, #122 Zhenhua RD., Futian, Shenzhen, China



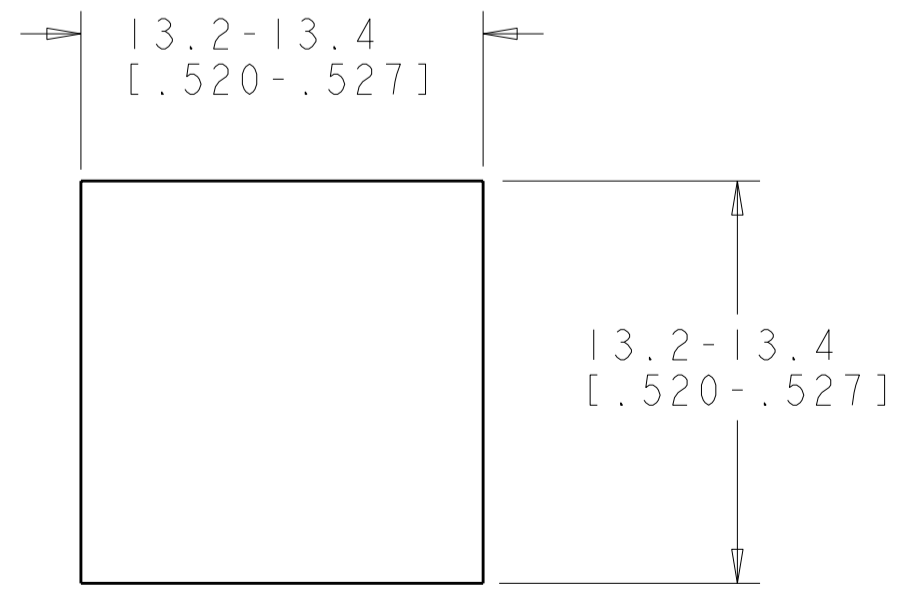
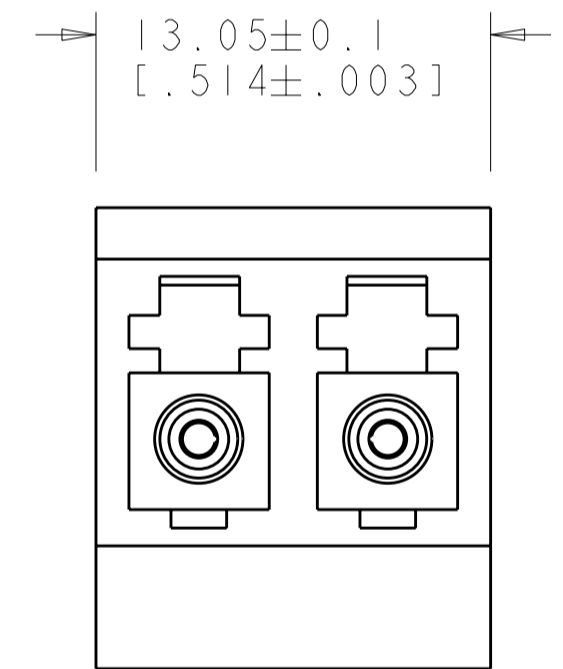
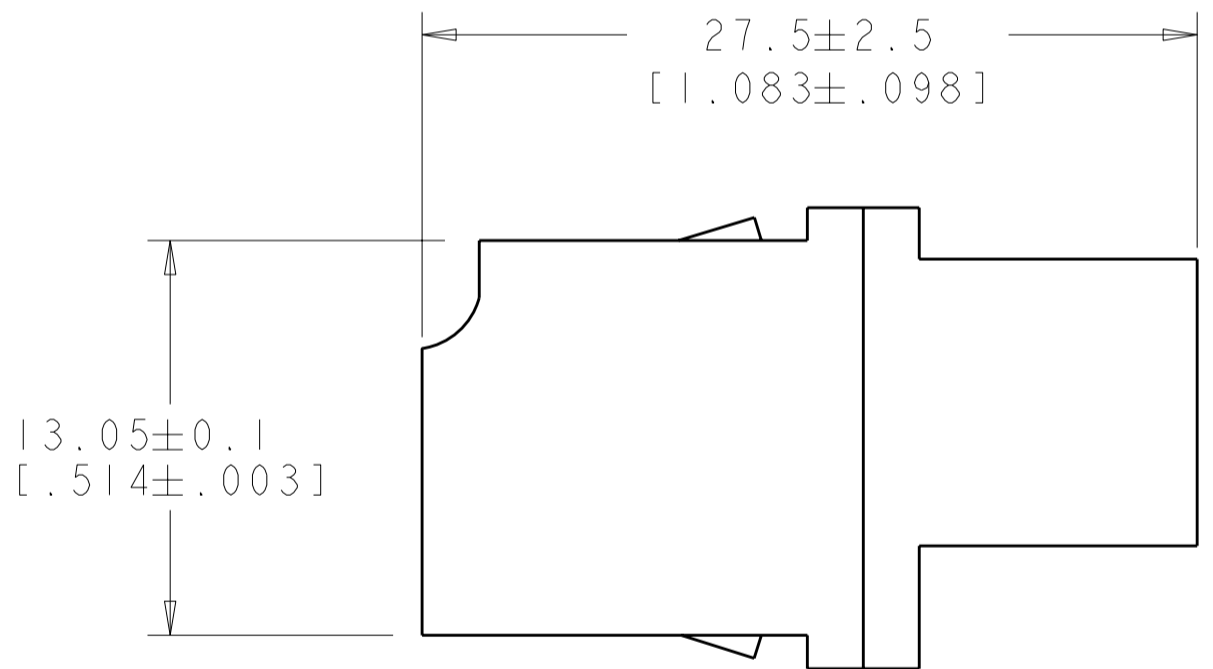
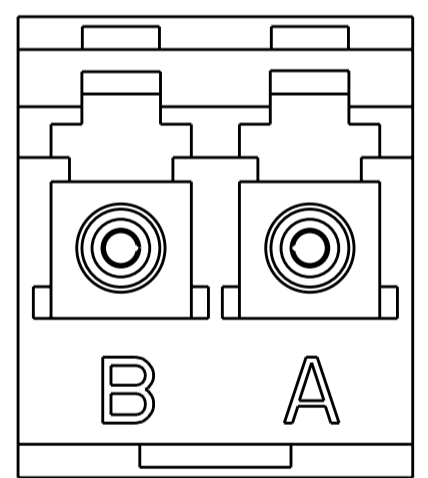
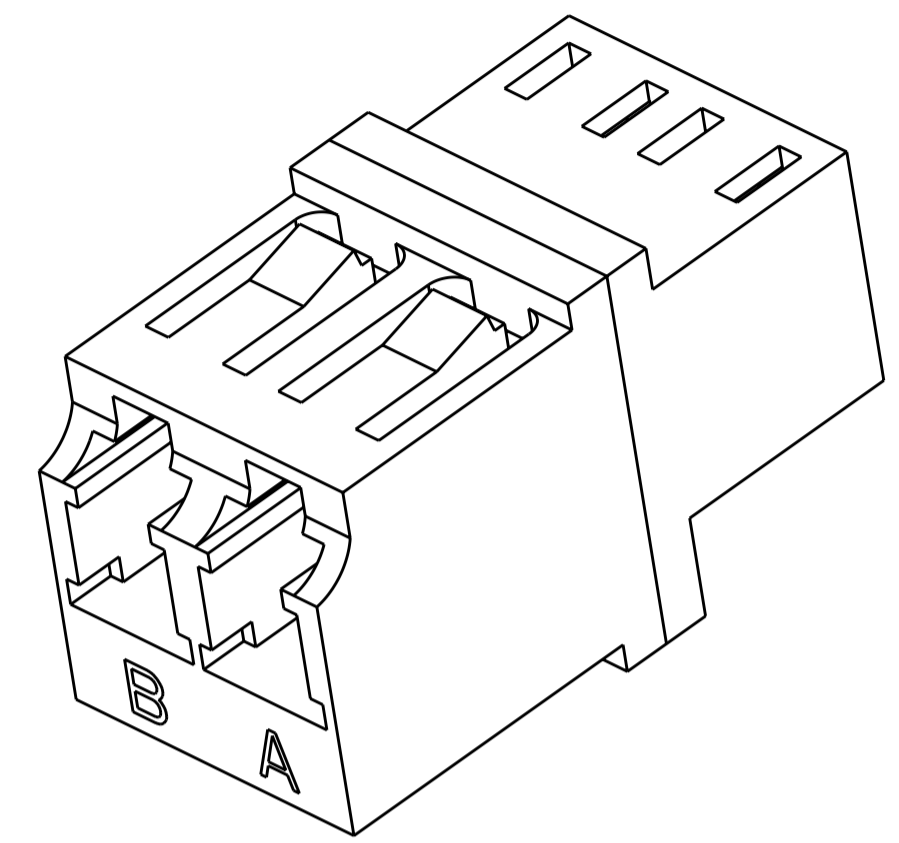
THIS DRAWING IS UNPUBLISHED. RELEASED FOR PUBLICATION
 © COPYRIGHT BY TYCO ELECTRONICS CORPORATION. ALL INTERNATIONAL RIGHTS RESERVED.

LOC	DIST	REVISIONS			
P	LTR	DESCRIPTION	DATE	DWN	APVD
D		REV PER 0A00-0560-03	12NOV2003	EJH	MG
E		REV PER 0A00-0023-05	14JAN2005	DHR	DHR
E1		REVISED PER ECO-10-000445	23JAN2010	KK	HMR
E2		REV PER ECR-10-016231	09AUG2010	IL	CT

1 MATERIAL:
 HOUSING: PEI, UL 94 V-0 RATED AT QUALIFYING THICKNESS.
 DUST COVERS: PP, COLOR: WHITE, UL 94 HB RATED AT QUALIFYING THICKNESS.
 ALIGNMENT SLEEVE: SEE TABLE.

2. FOUR DUST COVERS INCLUDED, NOT SHOWN.

3 OBSOLETE PARTS: OBSOLETE CIS STREAMLINING PER D.RENAUD/D.SINISI



RECOMMENDED PANEL CUTOUT
 PANEL THICKNESS: 1.2/1.7 [.047/.067]

3	OBSOLETE	COLOR	MAT'L	PART NUMBER
		GREEN	CERAMIC	1374352-3
		BEIGE	CERAMIC	1374352-2
		BLUE	CERAMIC	1374352-1
		COLOR	SLEEVE MAT'L	PART NUMBER

<small>THIS DRAWING IS A CONTROLLED DOCUMENT FOR TYCO ELECTRONICS CORPORATION. IT IS SUBJECT TO CHANGE AND THE CONTROLLING ENGINEERING ORGANIZATION SHOULD BE CONTACTED FOR THE LATEST REVISION.</small>		DWN T. ALEXANDER 27 JUN00 CHK S. MILLER 30 JUN00 APVD S. BUCHTER 30 JUN00	Tyco Electronics Corporation Shanghai, China
DIMENSIONS: mm [INCHES]	TOLERANCES UNLESS OTHERWISE SPECIFIED: 0 PLC ± 1 PLC ±0.1 [.004] 2 PLC ± 3 PLC ± 4 PLC ± ANGLES ± FINISH ±	PRODUCT SPEC - APPLICATION SPEC - WEIGHT -	NAME ADAPTER, DUPLEX, LC SIZE A2 CAGE CODE - DRAWING NO. 1374352 RESTRICTED TO -
MATERIAL 1		CUSTOMER DRAWING	SCALE 4:1 SHEET 1 OF 1 REV E2