



Chipsmall Limited consists of a professional team with an average of over 10 year of expertise in the distribution of electronic components. Based in Hongkong, we have already established firm and mutual-benefit business relationships with customers from,Europe,America and south Asia,supplying obsolete and hard-to-find components to meet their specific needs.

With the principle of “Quality Parts,Customers Priority,Honest Operation,and Considerate Service”,our business mainly focus on the distribution of electronic components. Line cards we deal with include Microchip,ALPS,ROHM,Xilinx,Pulse,ON,Everlight and Freescale. Main products comprise IC,Modules,Potentiometer,IC Socket,Relay,Connector.Our parts cover such applications as commercial,industrial, and automotives areas.

We are looking forward to setting up business relationship with you and hope to provide you with the best service and solution. Let us make a better world for our industry!



## Contact us

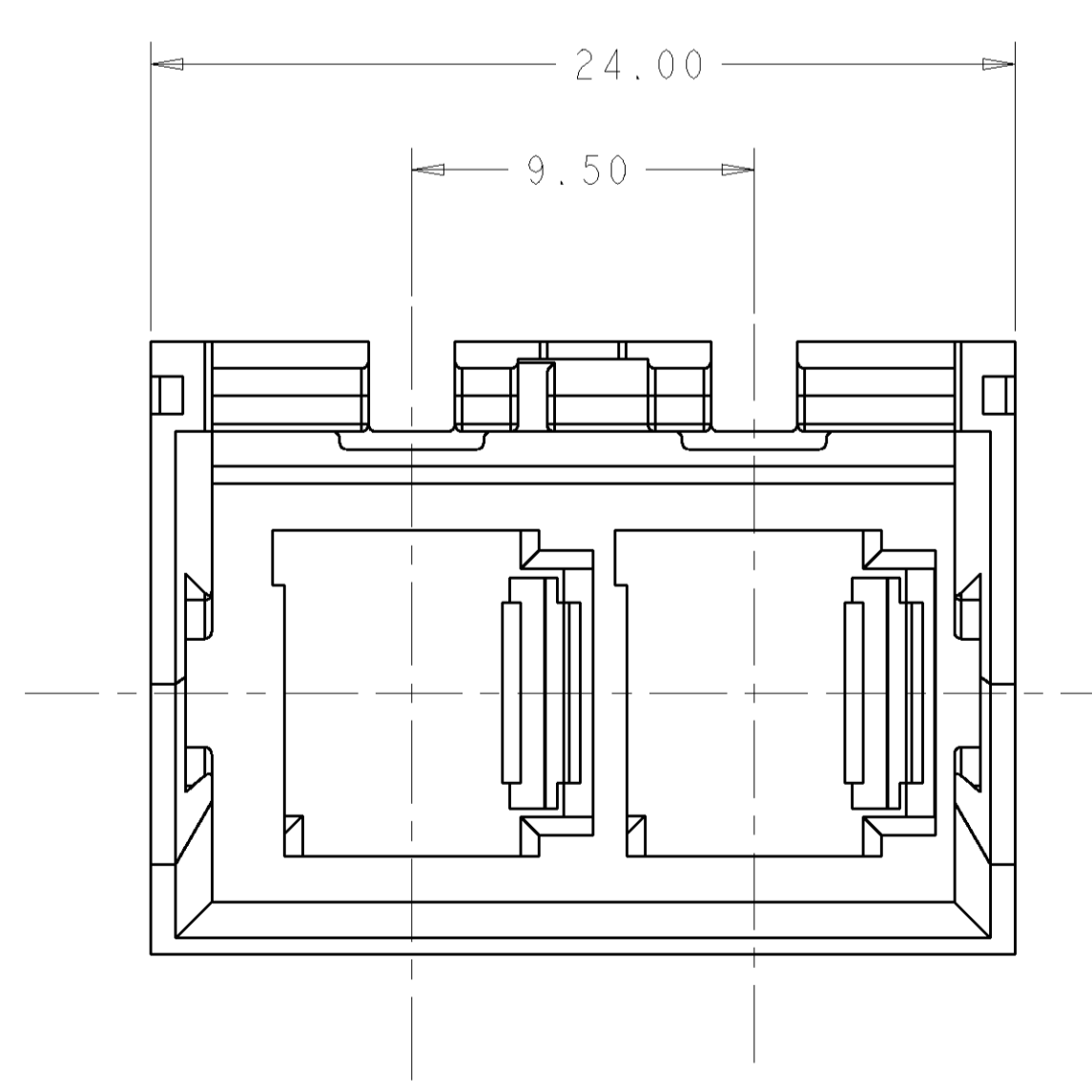
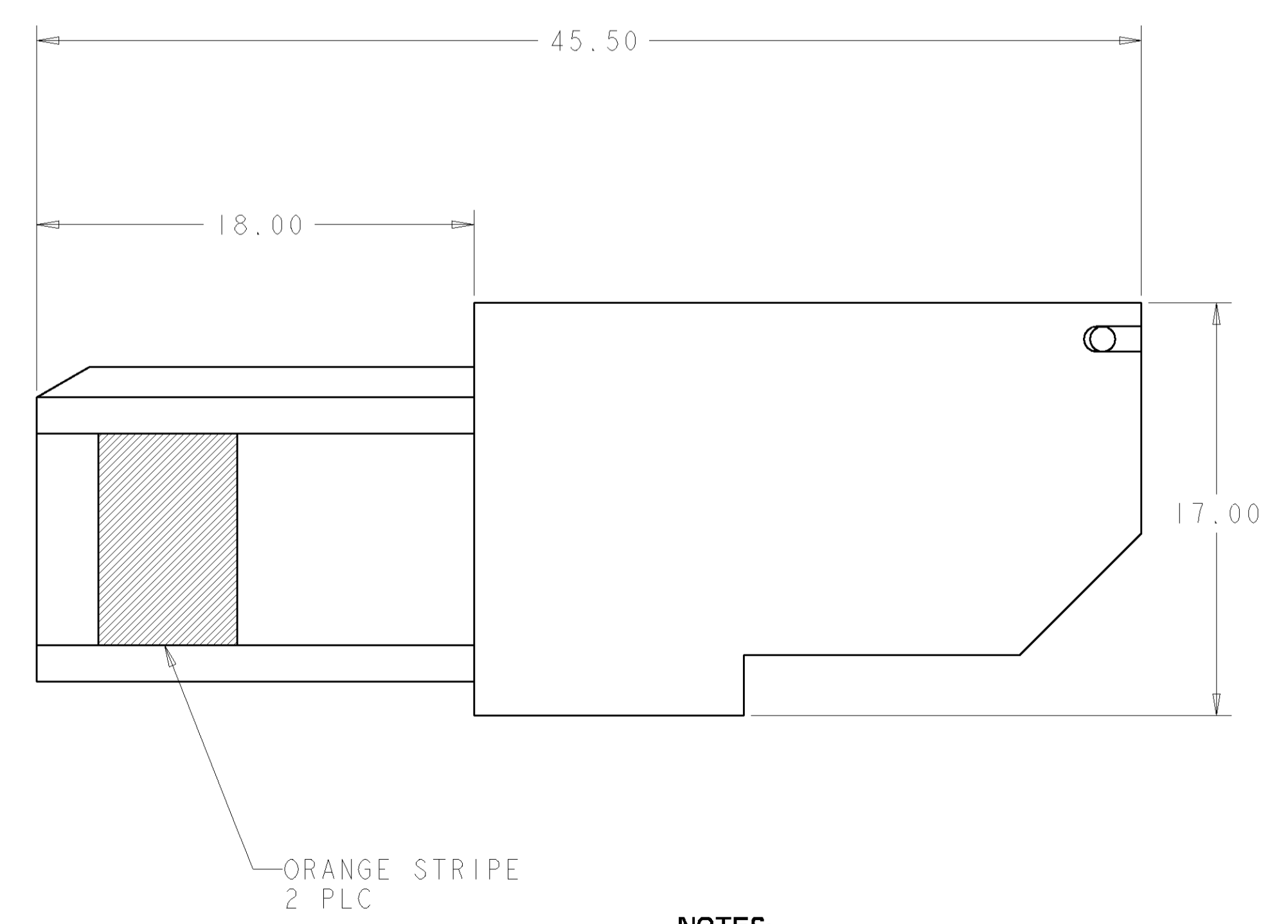
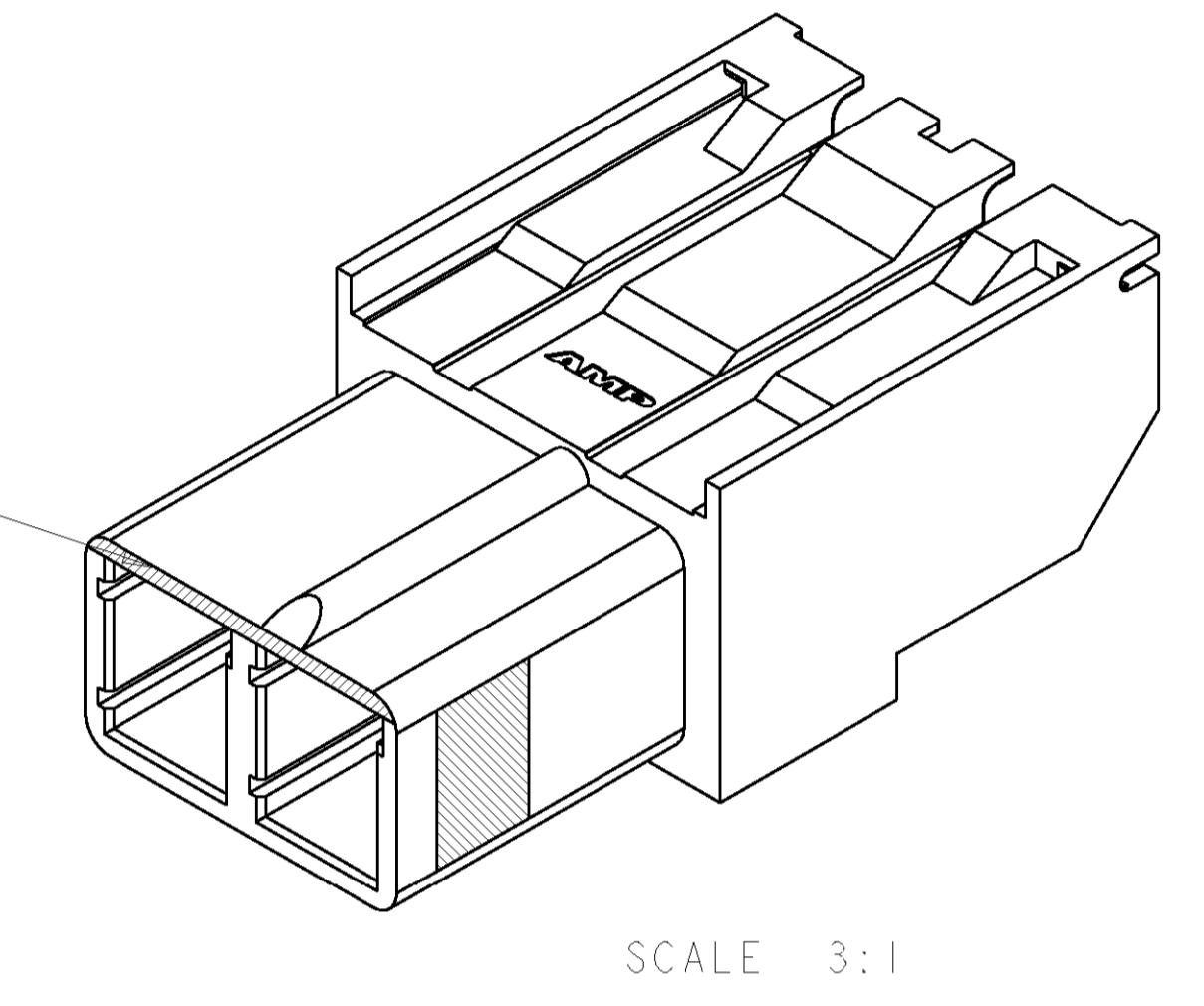
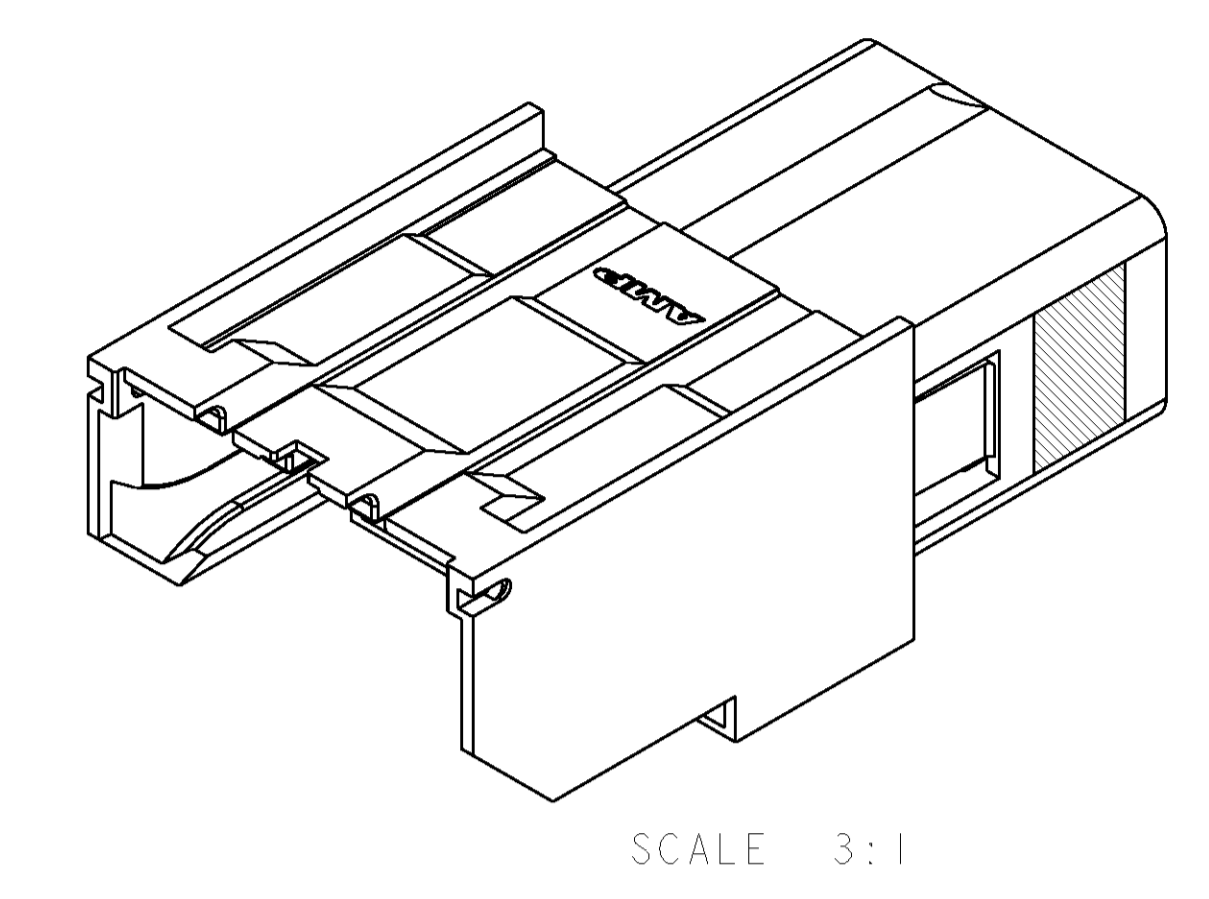
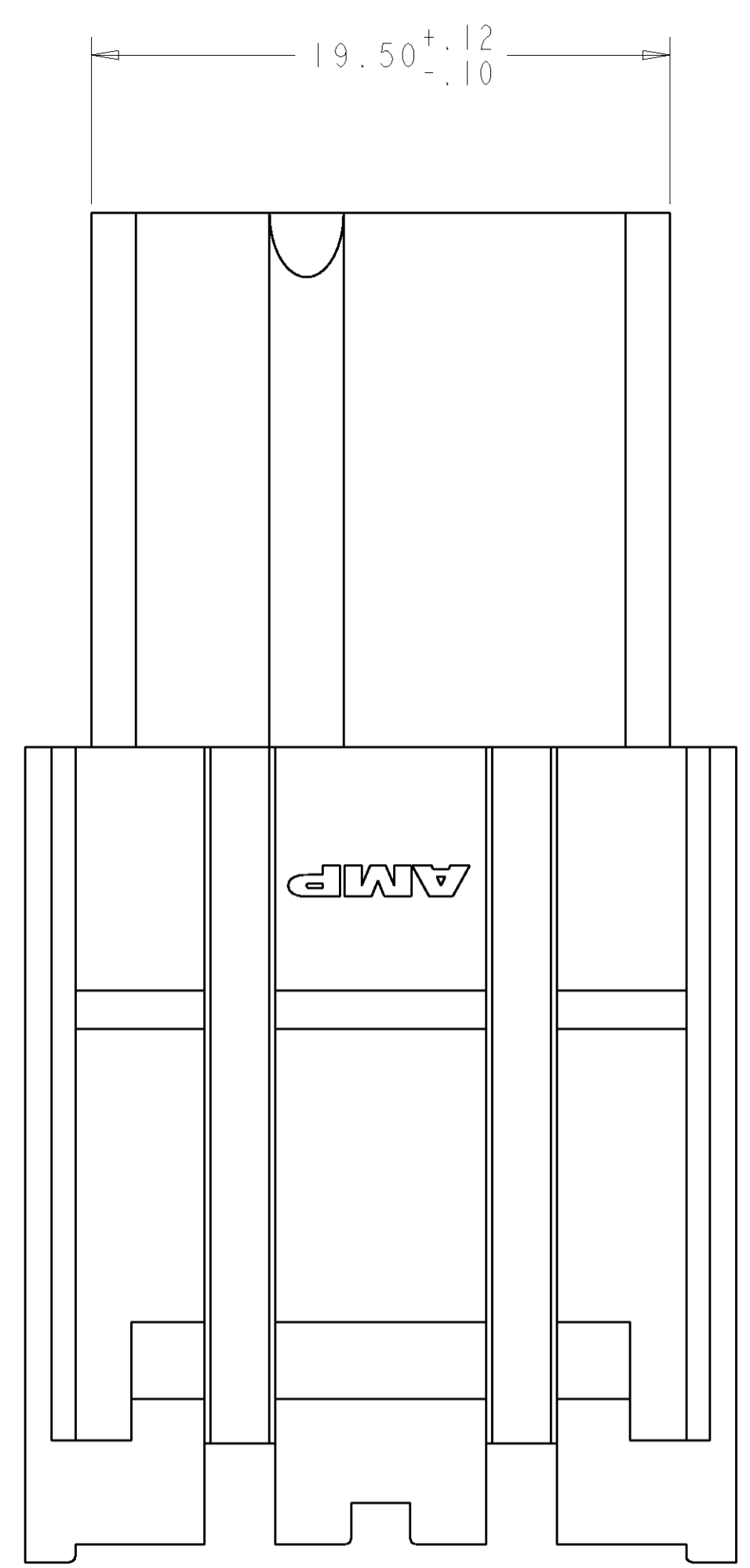
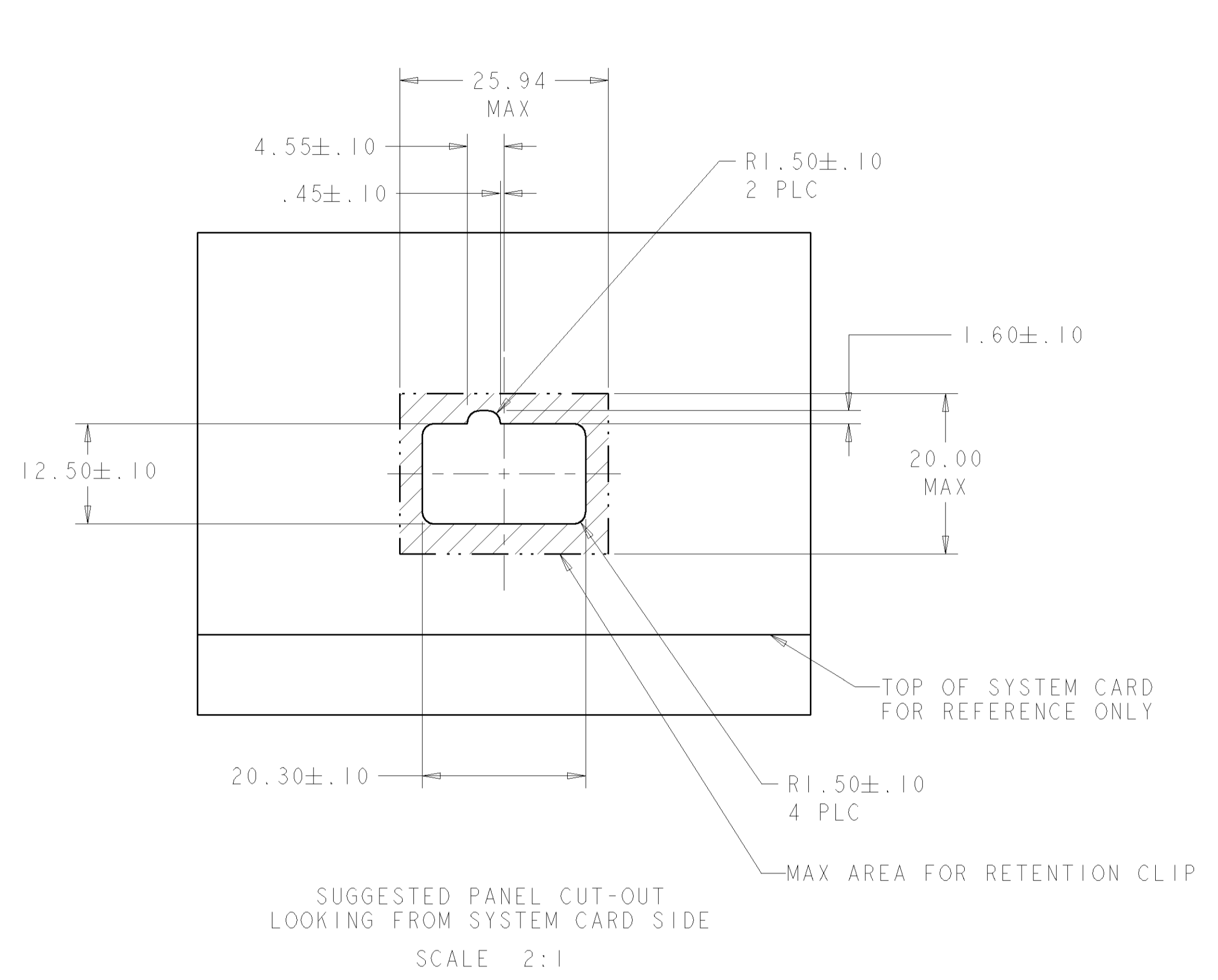
Tel: +86-755-8981 8866 Fax: +86-755-8427 6832

Email & Skype: info@chipsmall.com Web: www.chipsmall.com

Address: A1208, Overseas Decoration Building, #122 Zhenhua RD., Futian, Shenzhen, China



LOC	DIST	REVISIONS					
		P	LTR	DESCRIPTION	DATE	DWN	APVD
CE	17	D		REVISED PER EC 0A00-0966-01	09DEC01	EB	AP



- NOTES:**
- MATERIAL: PBT, 30% GLASS FILLED.
  - HOUSING DESIGNED TO BE INSTALLED WITH RETENTION CLIP P/N 1278530-2, USING SEATING TOOL, P/N 1278945-4 AND MOTHERBOARD SUPPORT, P/N 1278944-3. REFER TO INSTRUCTION SHEET 408-8332.

1374490-1  
 PART NUMBER

<small>THIS DRAWING IS UNPUBLISHED. RELEASED FOR PUBLICATION BY TICO ELECTRONICS CORPORATION. ALL RIGHTS RESERVED.</small>		DWN E HALEY I JAN01 CHK L BARKUS I JAN01 APVD L BARKUS I JAN01	Tyco Electronics Harrisburg, PA 17105-3608
DIMENSIONS: mm 		TOLERANCES UNLESS OTHERWISE SPECIFIED: 0 PLC ± .5 1 PLC ± .10 2 PLC ± .10 3 PLC ± .001 4 PLC ± .0001 ANGLES ± .1	NAME HOUSING, BACKPLANE, 1 X 2 VERTICAL, LIGHTRAY MPX PRODUCT SPEC - APPLICATION SPEC - WEIGHT - CUSTOMER DRAWING
MATERIAL - FINISH -		SIZE A1 CAGE CODE 00779 DRAWING NO. 1374490	RESTRICTED TO - SCALE 5:1 SHEET 1 OF 1 REV D