



Chipsmall Limited consists of a professional team with an average of over 10 year of expertise in the distribution of electronic components. Based in Hongkong, we have already established firm and mutual-benefit business relationships with customers from,Europe,America and south Asia,supplying obsolete and hard-to-find components to meet their specific needs.

With the principle of “Quality Parts,Customers Priority,Honest Operation,and Considerate Service”,our business mainly focus on the distribution of electronic components. Line cards we deal with include Microchip,ALPS,ROHM,Xilinx,Pulse,ON,Everlight and Freescale. Main products comprise IC,Modules,Potentiometer,IC Socket,Relay,Connector.Our parts cover such applications as commercial,industrial, and automotives areas.

We are looking forward to setting up business relationship with you and hope to provide you with the best service and solution. Let us make a better world for our industry!



Contact us

Tel: +86-755-8981 8866 Fax: +86-755-8427 6832

Email & Skype: info@chipsmall.com Web: www.chipsmall.com

Address: A1208, Overseas Decoration Building, #122 Zhenhua RD., Futian, Shenzhen, China

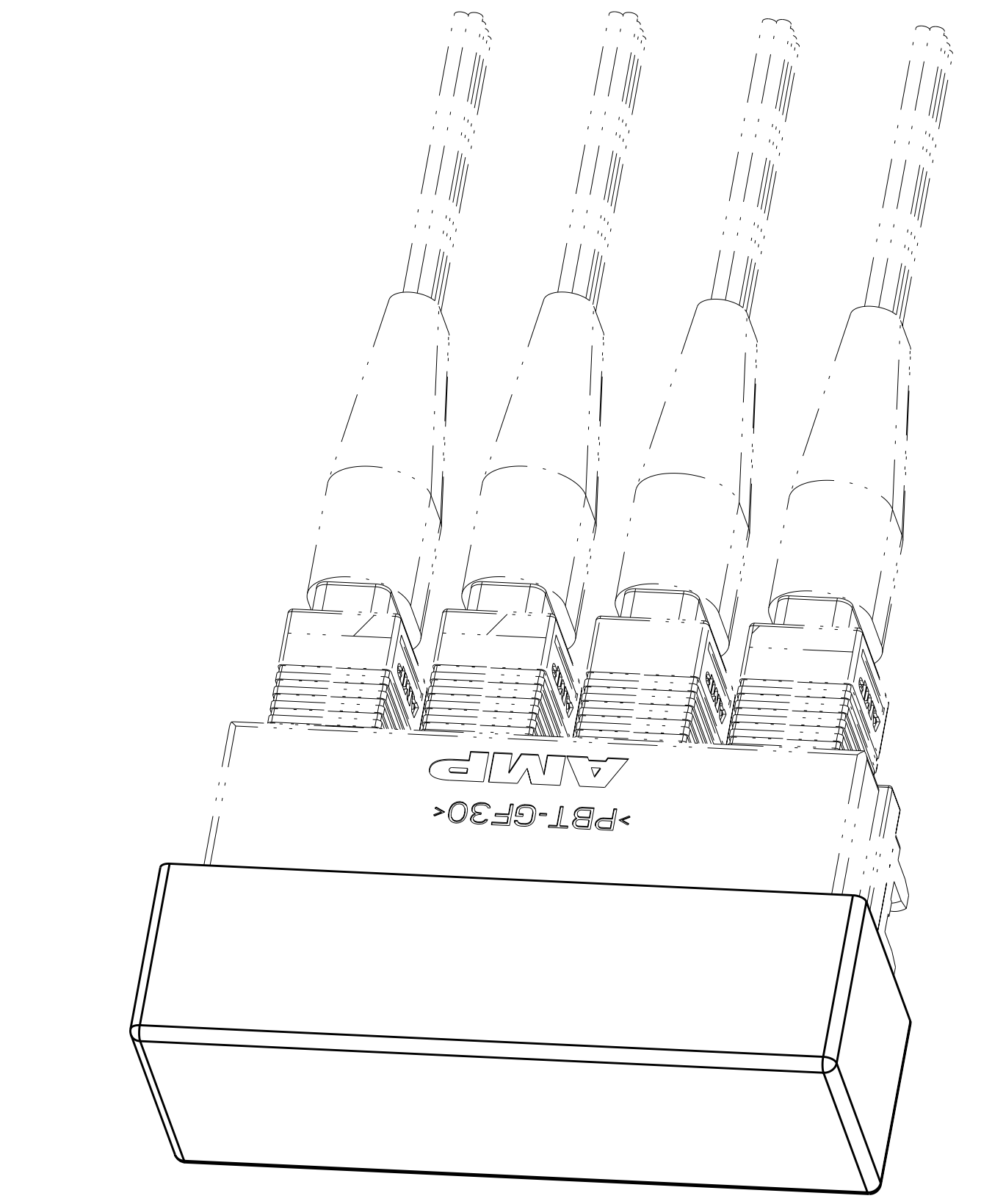
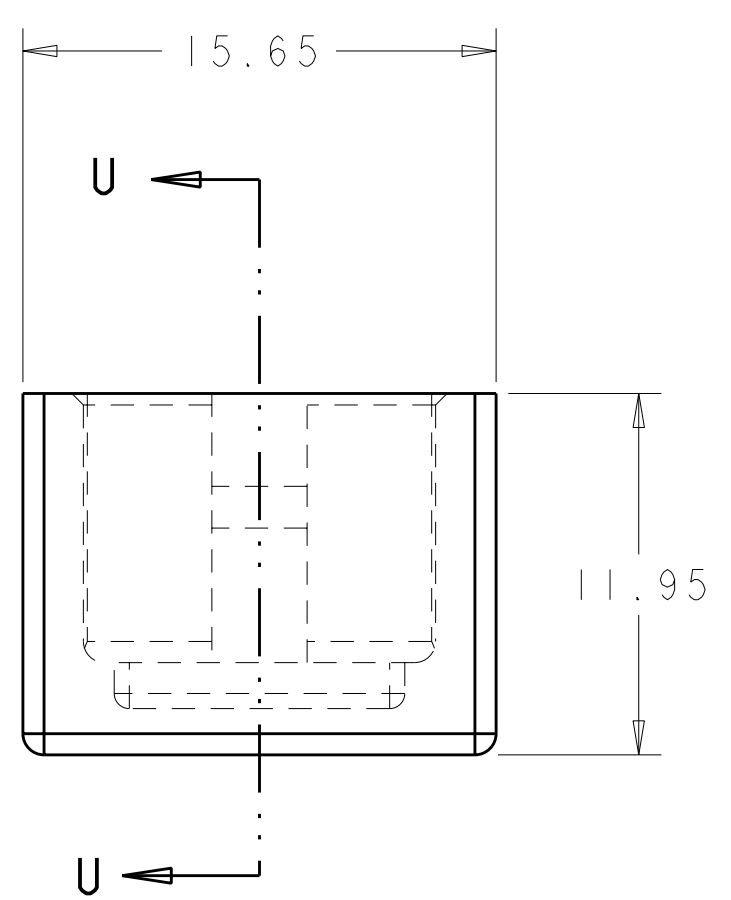
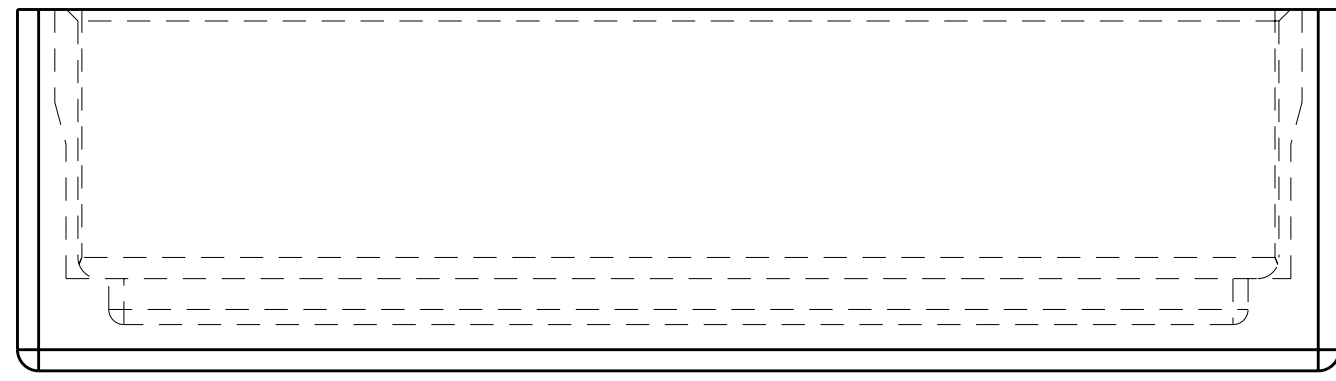
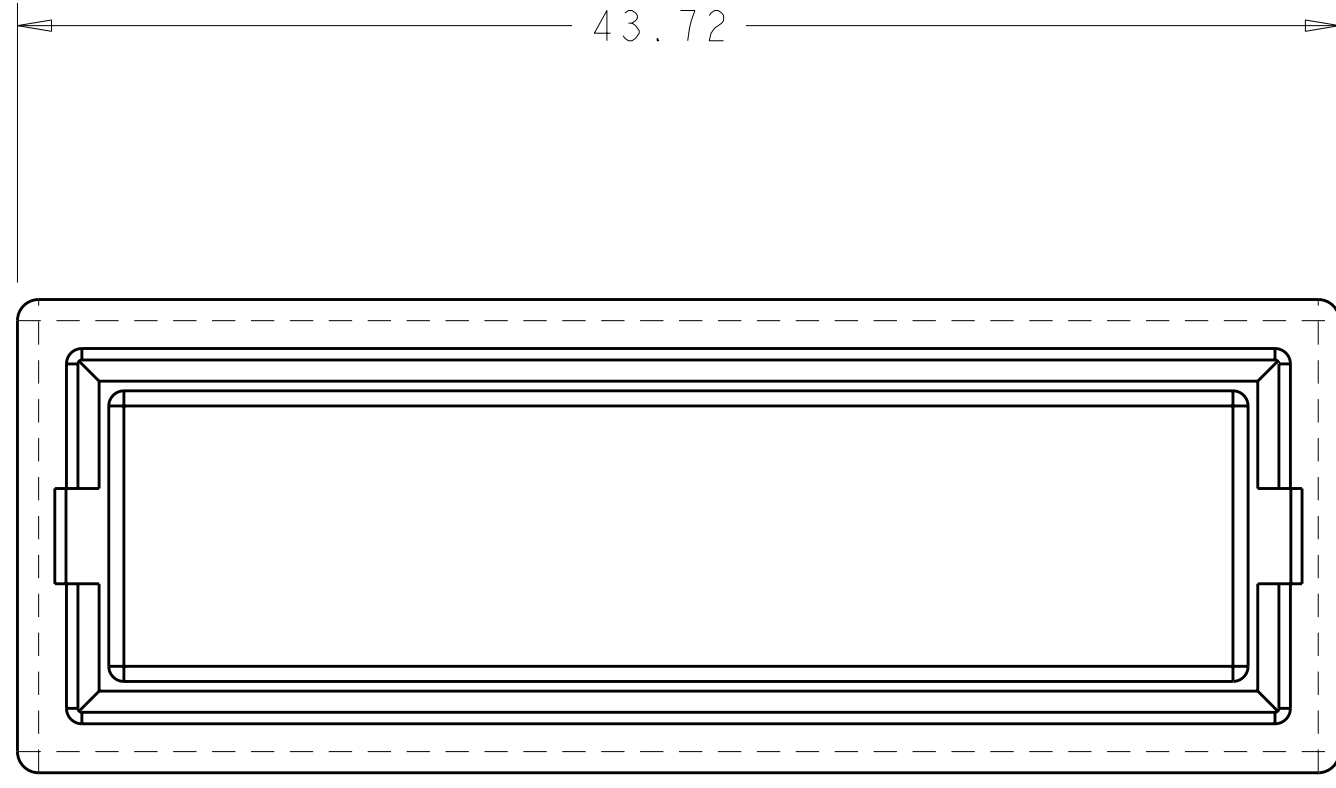


LOC	DIST	REVISIONS			
REV	LTN	DESCRIPTION	DATE	DWN	APVD
0		REL PER 00-258	03APR2000	LM	LB
A		REL PER 0A00-0641-00	21SEP00	EJH	LB
B		REVISED PER EC 0A00-0077-02	17JAN2002	EB	AP
C		ECR 09-021710	12-3-2009	LGE	FA

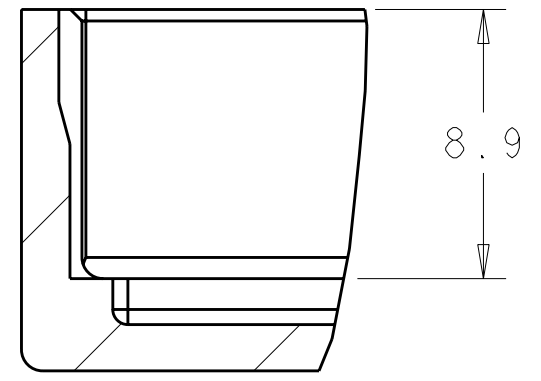
1 MATERIAL: THERMOPLASTIC ELASTOMER
 ARNITEL PL460S
 FLAMABILITY RATING: UL94V-0
 COLOR : BLACK

2. RETENTION FORCE: 1/2 LB MIN.

3 MATERIAL: THERMOPLASTIC ELASTOMER
 ARNITEL PL460S
 FLAMABILITY RATING: UL94V-0
 COLOR: RED



SCALE 3:1



SECTION U-U

OBSOLETE	COLOR	MATERIAL	PART NO
	BLUE	5	1374547-4
	GREEN	4	1374547-3
	RED	3	1374547-2
	BLACK	1	1374547-1

DIMENSIONS: mm 		TOLERANCES UNLESS OTHERWISE SPECIFIED: 0 PLC ± 1 PLC ±0.2 2 PLC ±0.13 3 PLC ± 4 PLC ±0.001 ANGLES ± FINISH		DWN L. MORNINGSTAR 03APR2000 CHK L. BARKUS 03APR2000 APVD F. ABENDSCHE IN 03APR2000 PRODUCT SPEC APPLICATION SPEC WEIGHT CUSTOMER DRAWING		Tyco Electronics Harrisburg, PA 17105-3608 NAME: SYSTEMCARD HOUSING, DUST COVER, 1X4 VERTICAL, LIGHTRAY MPX SIZE: A100779 CAGE CODE: C=1374547 SCALE: 4:1 SHEET 1 OF 1 REV C	
-----------------------	--	---	--	---	--	--	--