



Chipsmall Limited consists of a professional team with an average of over 10 year of expertise in the distribution of electronic components. Based in Hongkong, we have already established firm and mutual-benefit business relationships with customers from,Europe,America and south Asia,supplying obsolete and hard-to-find components to meet their specific needs.

With the principle of “Quality Parts,Customers Priority,Honest Operation,and Considerate Service”,our business mainly focus on the distribution of electronic components. Line cards we deal with include Microchip,ALPS,ROHM,Xilinx,Pulse,ON,Everlight and Freescale. Main products comprise IC,Modules,Potentiometer,IC Socket,Relay,Connector.Our parts cover such applications as commercial,industrial, and automotives areas.

We are looking forward to setting up business relationship with you and hope to provide you with the best service and solution. Let us make a better world for our industry!



Contact us

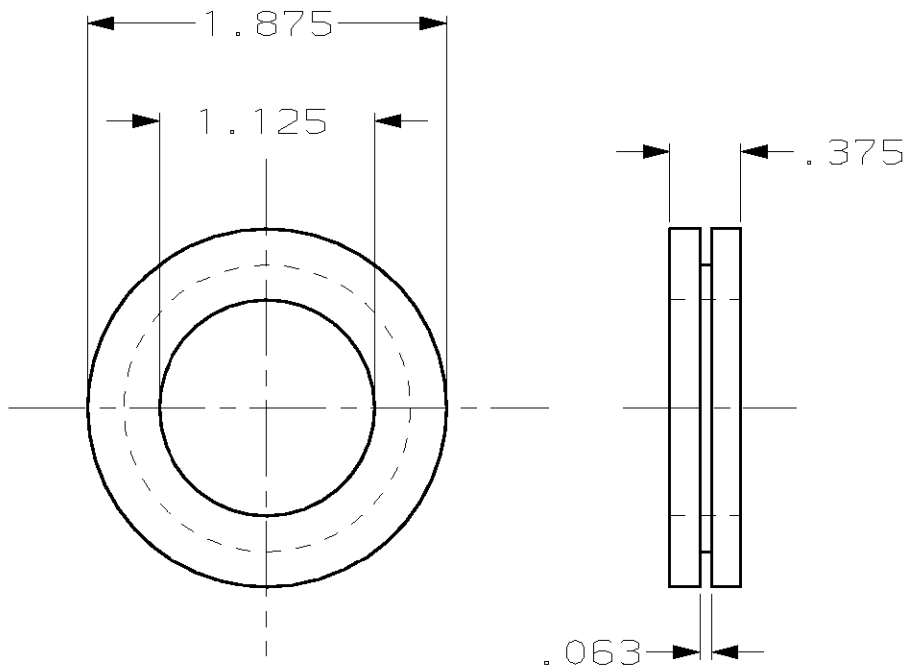
Tel: +86-755-8981 8866 Fax: +86-755-8427 6832

Email & Skype: info@chipsmall.com Web: www.chipsmall.com

Address: A1208, Overseas Decoration Building, #122 Zhenhua RD., Futian, Shenzhen, China



LOC	DIST	REVISIONS					
CE	16	P	LTR	DESCRIPTION	DATE	DWN	APVD
		0		RELEASED PER NPR 00-317	18APR00	TG	DM




1. ALL DIMENSIONS ARE NOMINAL UNLESS OTHERWISE STATED.

AMP PART NO
1374608-1

RELEASED FOR PUBLICATION

THIS DRAWING IS UNPUBLISHED.

BY AMP INCORPORATED. ALL RIGHTS RESERVED.

DIMENSIONS: INCHES	DWN	T. GREEN	18APR00	MATERIAL	RUBBER	FINISH	-
	CHK	J. HOFFER	18APR00	 AMP Incorporated Harrisburg, PA 17105-3608			
TOLERANCES UNLESS OTHERWISE SPECIFIED:	APVD	D. MCCLURE	18APR00				
0 PLC ±-	PRODUCT SPEC	NAME GROMMET, RUBBER					
1 PLC ±-	-						
2 PLC ±-	APPLICATION SPEC	SIZE CAGE CODE DRAWING NO RESTRICTED TO					
3 PLC ±-	-	A4 00779 C-1374608 -					
4 PLC ±-	WEIGHT	CUSTOMER DRAWING SCALE 1:1 SHEET 1 OF 1 REV 0					
ANGLES ±-	-						