



Chipsmall Limited consists of a professional team with an average of over 10 year of expertise in the distribution of electronic components. Based in Hongkong, we have already established firm and mutual-benefit business relationships with customers from,Europe,America and south Asia,supplying obsolete and hard-to-find components to meet their specific needs.

With the principle of "Quality Parts,Customers Priority,Honest Operation,and Considerate Service",our business mainly focus on the distribution of electronic components. Line cards we deal with include Microchip,ALPS,ROHM,Xilinx,Pulse,ON,Everlight and Freescale. Main products comprise IC,Modules,Potentiometer,IC Socket,Relay,Connector.Our parts cover such applications as commercial,industrial, and automotives areas.

We are looking forward to setting up business relationship with you and hope to provide you with the best service and solution. Let us make a better world for our industry!



Contact us

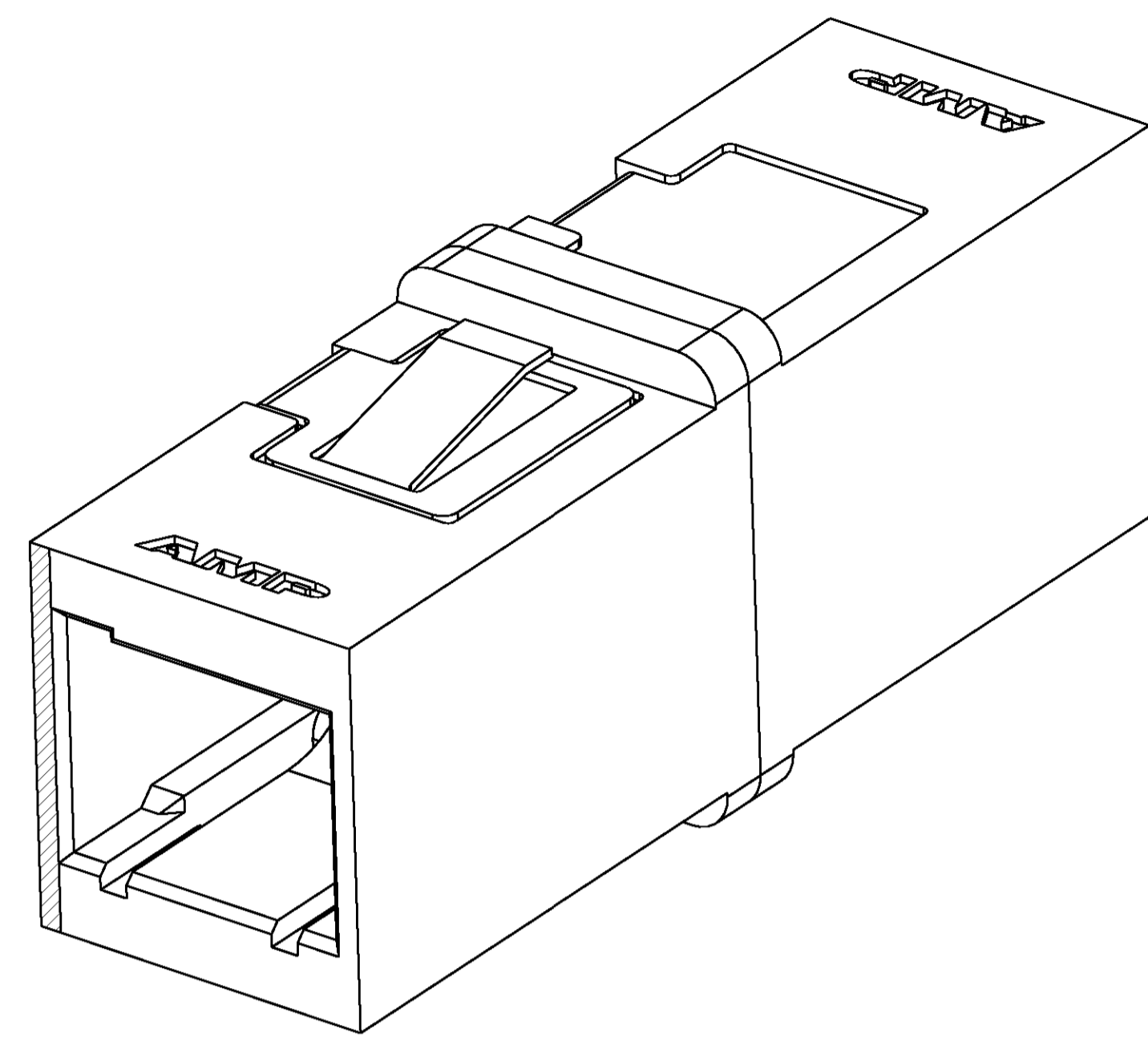
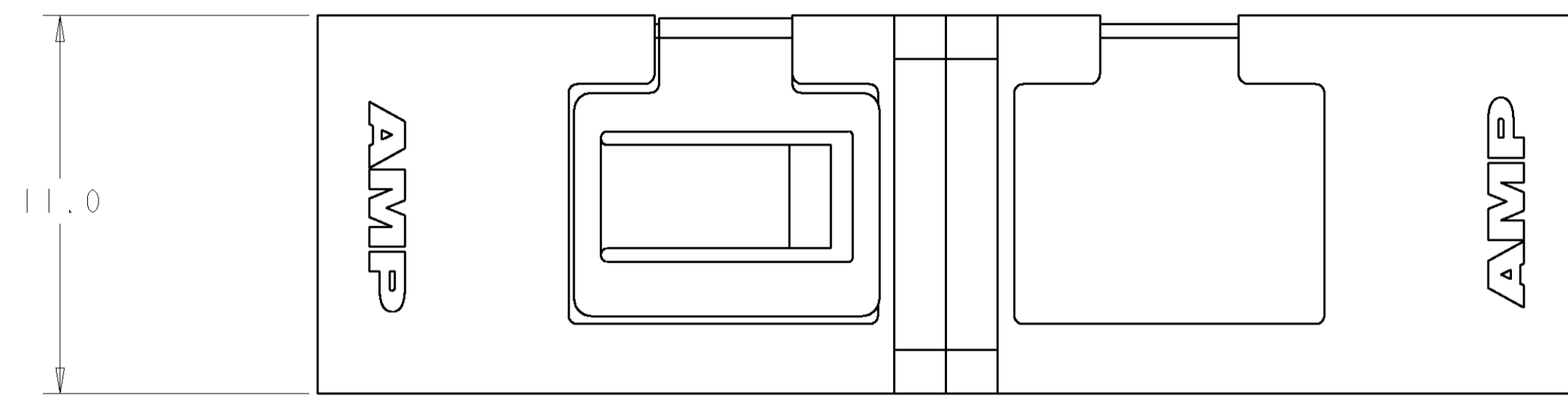
Tel: +86-755-8981 8866 Fax: +86-755-8427 6832

Email & Skype: info@chipsmall.com Web: www.chipsmall.com

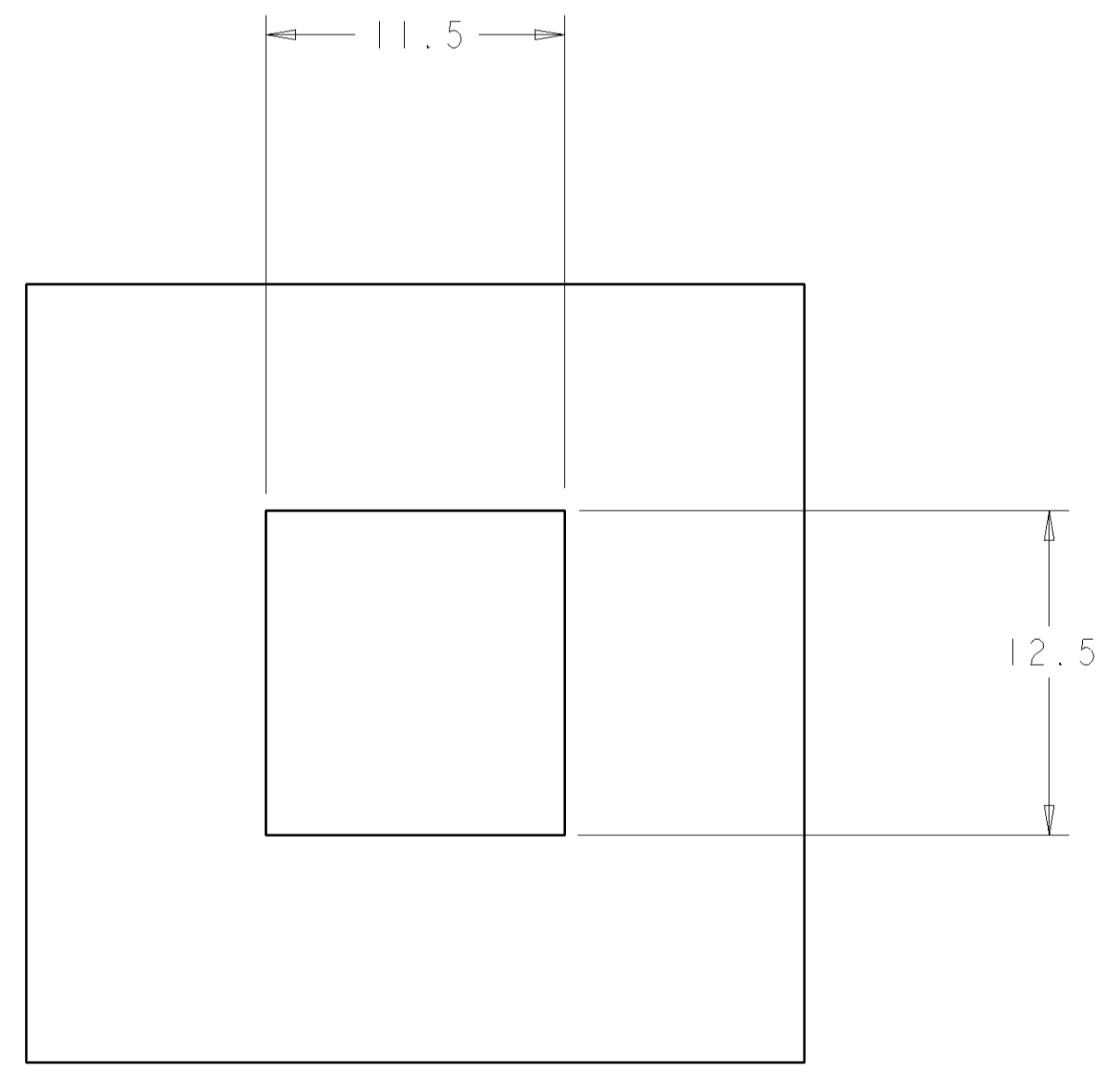
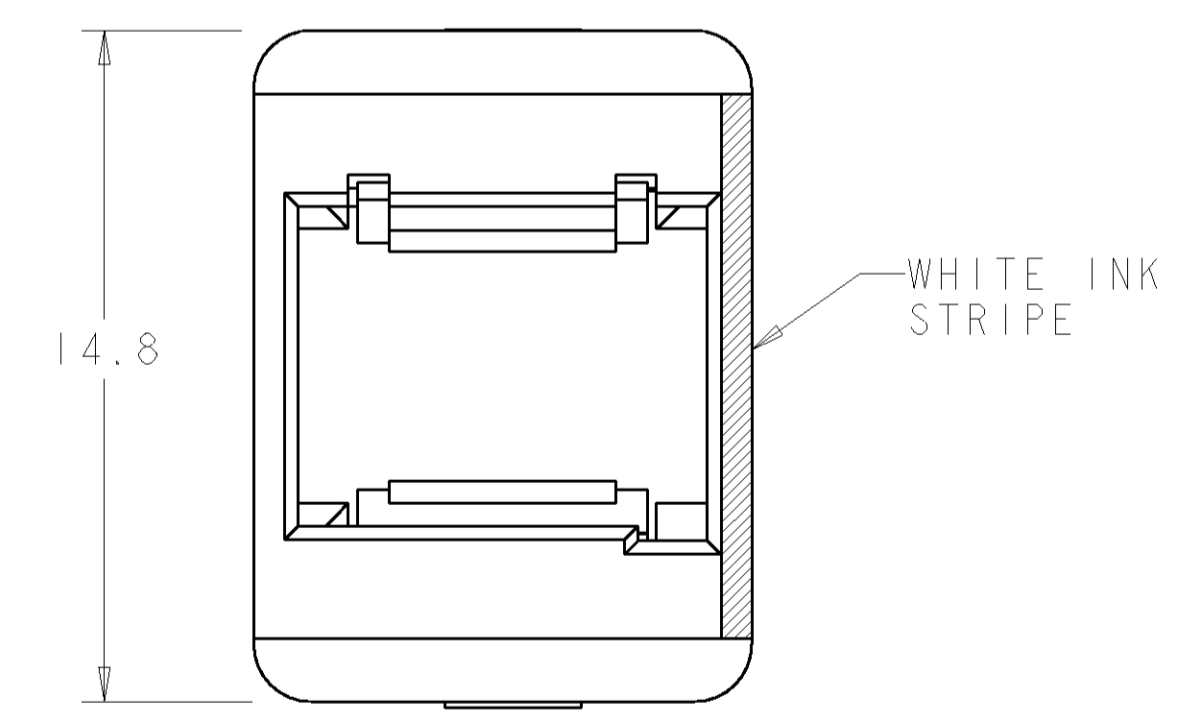
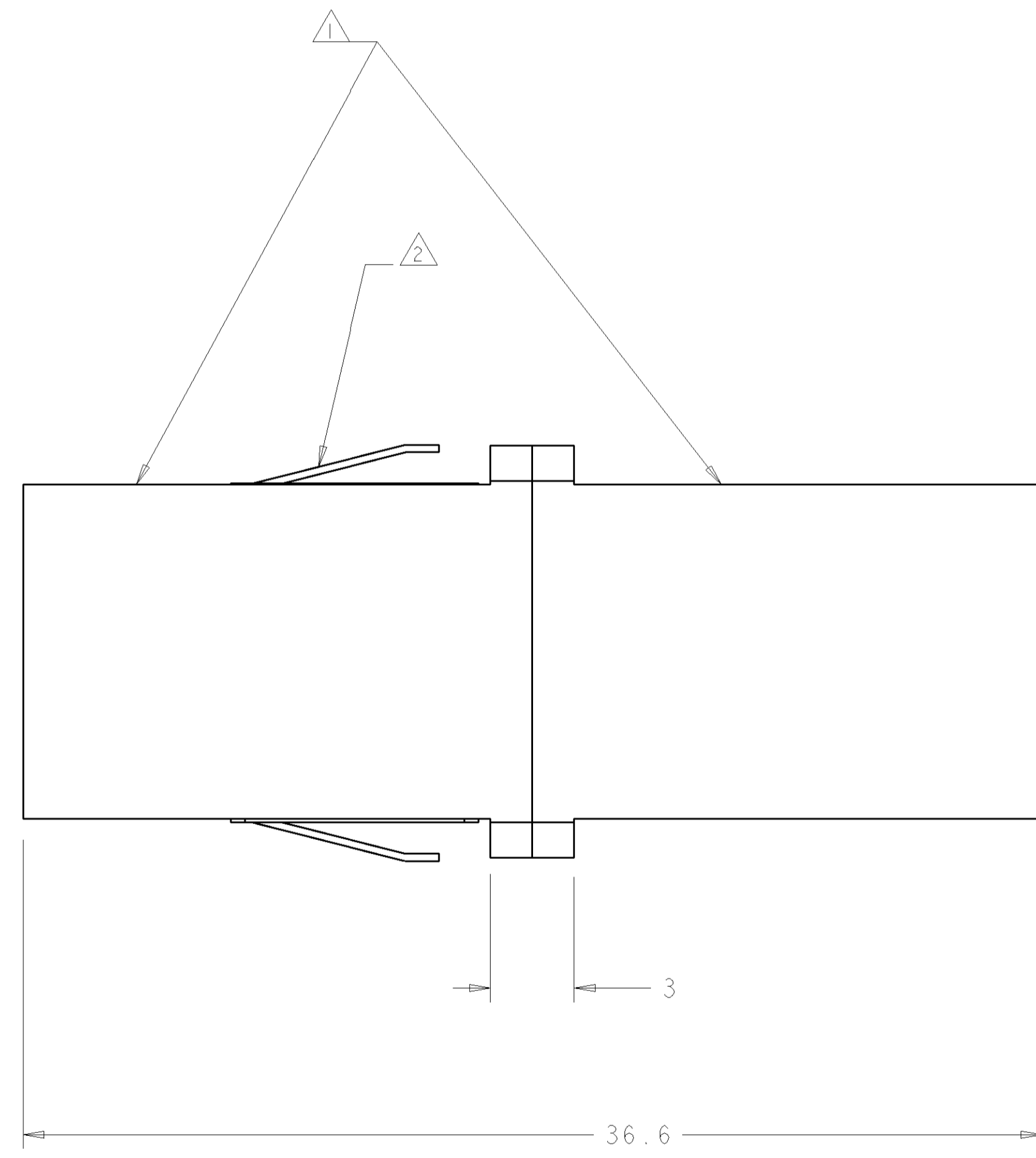
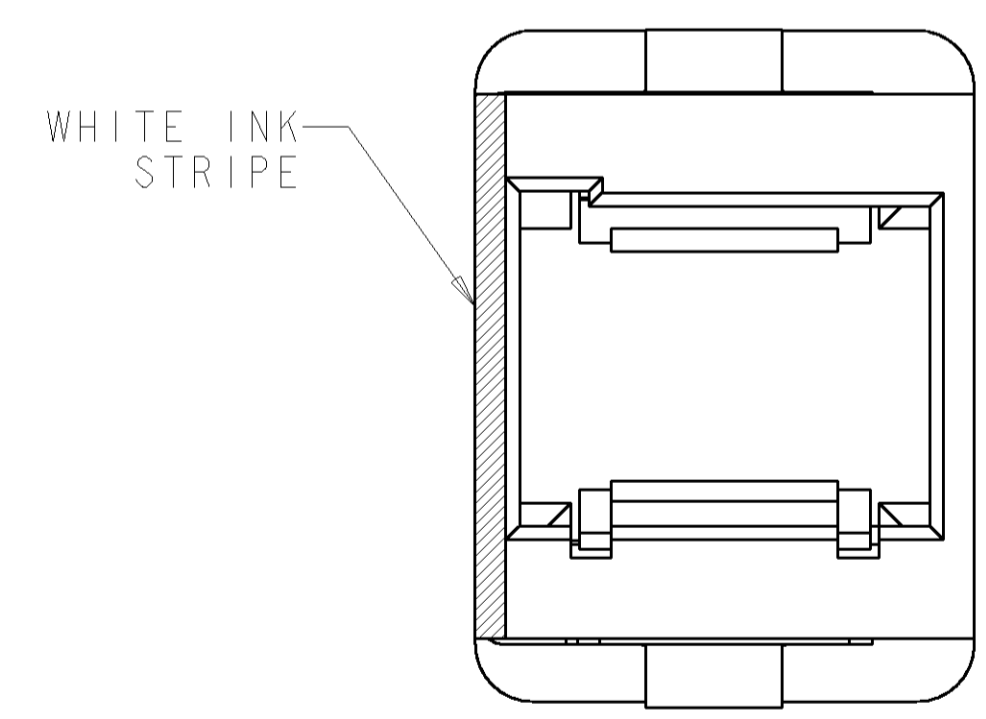
Address: A1208, Overseas Decoration Building, #122 Zhenhua RD., Futian, Shenzhen, China



LOC	DIST	REVISIONS			
F	LTR	DESCRIPTION	DATE	DWN	APPD
A		REV PER EC 0A00-0663-00	08AUG2000	LM	LB
B		REVISED PER EC 0A00-0314-02	29APR2002	EB	AP
C		REV PER EC 0A00-0172-04	01APR2004	EH	AP



- △ HOUSING MATERIAL:
PBT 30% GLASS FILLED, UL 94 V-0
COLOR: BLACK.
- △ RETENTION CLIP MATERIAL:
STAINLESS STEEL.



SUGGESTED PANEL CUT-OUT
SCALE 4:1

1374650-1
PART NUMBER

<small>THIS DRAWING IS UNPUBLISHED. RELEASED FOR PUBLICATION. ALL RIGHTS RESERVED. ANY REVISIONS TO THIS DRAWING MUST BE CONTROLLED BY THE CONTROLLING ENGINEERING ORGANIZATION. SHOULD BE CONTACTED FOR THE LATEST REVISION.</small>		DWN: L MORNINGSTAR CHK: L BARKUS APPD: F ABENDSCHEIN	ZOMART00 ZOMART00 ZAPROD	AMP Incorporated Harrisburg, PA 17105-3608
DIMENSIONS: mm	TOLERANCES UNLESS OTHERWISE SPECIFIED: 0 PLC ±.2 1 PLC ±.2 2 PLC ±.13 3 PLC ±.013 4 PLC ±. ANGLES ±. FINISH -	PRODUCT SPEC APPLICATION SPEC WEIGHT CUSTOMER DRAWING	NAME: MORNINGSTAR PRODUCT SPEC APPLICATION SPEC WEIGHT CUSTOMER DRAWING	NAME: MORNINGSTAR PRODUCT SPEC APPLICATION SPEC WEIGHT CUSTOMER DRAWING
MATERIAL: -		SIZE: A1 CAGE CODE: 00779 DRAWING NO: C-1374650	SCALE: 6:1 SHEET: 1 OF 1 REV: C	AMP Incorporated Harrisburg, PA 17105-3608