



Chipsmall Limited consists of a professional team with an average of over 10 year of expertise in the distribution of electronic components. Based in Hongkong, we have already established firm and mutual-benefit business relationships with customers from,Europe,America and south Asia,supplying obsolete and hard-to-find components to meet their specific needs.

With the principle of “Quality Parts,Customers Priority,Honest Operation,and Considerate Service”,our business mainly focus on the distribution of electronic components. Line cards we deal with include Microchip,ALPS,ROHM,Xilinx,Pulse,ON,Everlight and Freescale. Main products comprise IC,Modules,Potentiometer,IC Socket,Relay,Connector.Our parts cover such applications as commercial,industrial, and automotives areas.

We are looking forward to setting up business relationship with you and hope to provide you with the best service and solution. Let us make a better world for our industry!



Contact us

Tel: +86-755-8981 8866 Fax: +86-755-8427 6832

Email & Skype: info@chipsmall.com Web: www.chipsmall.com

Address: A1208, Overseas Decoration Building, #122 Zhenhua RD., Futian, Shenzhen, China



THIS DRAWING IS UNPUBLISHED. RELEASED FOR PUBLICATION 20
 © COPYRIGHT 20 BY TYCO ELECTRONICS CORPORATION. ALL INTERNATIONAL RIGHTS RESERVED.

LOC	DIST	REVISIONS					
CE	16	P	LTR	DESCRIPTION	DATE	DWN	APVD
		B		ECR 09-021710	12-8-09	LGE	FA

1 MATERIAL: THERMOPLASTIC ELASTOMER
 ARNITEL PL460S
 FLAMABILITY RATING: UL94V-0
 COLOR : BLACK

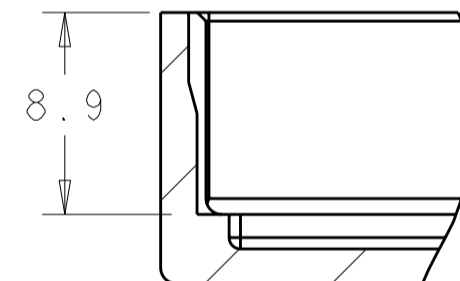
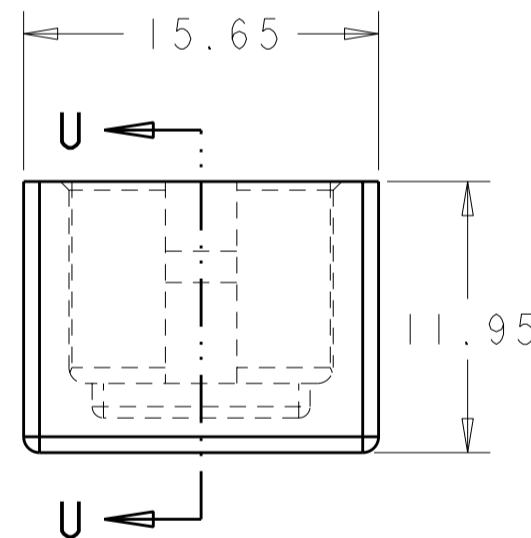
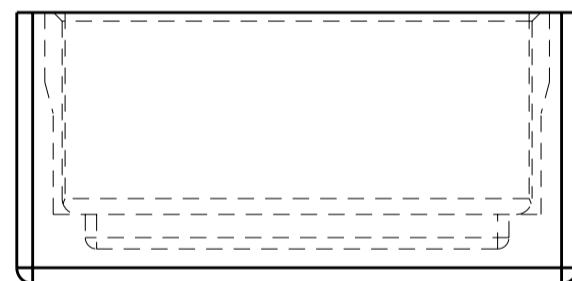
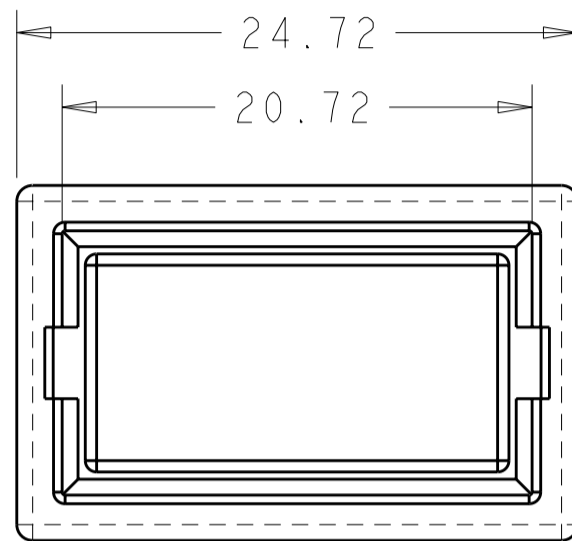
2 BULK PACKAGE 25 PCS.

3. RETENTION FORCE: 1/2 LB MIN.

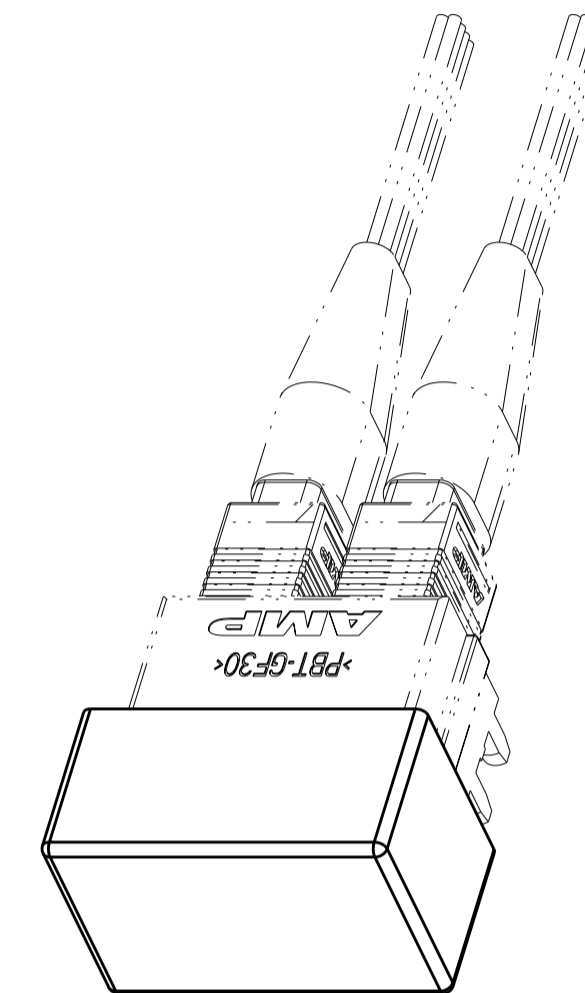
4 MATERIAL: THERMOPLASTIC ELASTOMER
 ARNITEL PL460S
 FLAMABILITY RATING: UL94V-0
 COLOR: RED

5 MATERIAL: THERMOPLASTIC ELASTOMER
 ARNITEL PL460S
 FLAMABILITY RATING: UL94V-0
 COLOR: GREEN

6 MATERIAL: THERMOPLASTIC ELASTOMER
 ARNITEL PL460S
 FLAMABILITY RATING: UL94V-0
 COLOR: BLUE



SECTION U-U



SCALE 2:1

BLUE	1	1374674-8
GREEN	6	1374674-7
RED	5	1374674-6
BLACK	4	1374674-5
BLACK	1	1374674-1
COLOR	MATERIAL	PART NO

DIMENSIONS:		TOLERANCES UNLESS OTHERWISE SPECIFIED:		DWN	Tyco Electronics	
mm		0 PLC	±	22MAY2000	Tyco Electronics	
		1 PLC	±0.2	L MORNINGSTAR	Harrisburg, PA 17105-3608	
		2 PLC	±0.13	CHK L BARKUS	NAME SYSTEM CARD HOUSING, DUST COVER	
		3 PLC	±	APVD E ABENDSCHEIN	1X2 VERTICAL, LIGHTRAY MPX	
		4 PLC	±	PRODUCT SPEC	SIZE	CAGE CODE
MATERIAL	FINISH	ANGLES	±	APPLICATION SPEC	A200779	DRAWING NO
		FINISH		WEIGHT	C-1374674	RESTRICTED TO
				CUSTOMER DRAWING	SCALE 3/1	SHEET 1 OF 1