



Chipsmall Limited consists of a professional team with an average of over 10 year of expertise in the distribution of electronic components. Based in Hongkong, we have already established firm and mutual-benefit business relationships with customers from,Europe,America and south Asia,supplying obsolete and hard-to-find components to meet their specific needs.

With the principle of “Quality Parts,Customers Priority,Honest Operation,and Considerate Service”,our business mainly focus on the distribution of electronic components. Line cards we deal with include Microchip,ALPS,ROHM,Xilinx,Pulse,ON,Everlight and Freescale. Main products comprise IC,Modules,Potentiometer,IC Socket,Relay,Connector.Our parts cover such applications as commercial,industrial, and automotives areas.

We are looking forward to setting up business relationship with you and hope to provide you with the best service and solution. Let us make a better world for our industry!



Contact us

Tel: +86-755-8981 8866 Fax: +86-755-8427 6832

Email & Skype: info@chipsmall.com Web: www.chipsmall.com

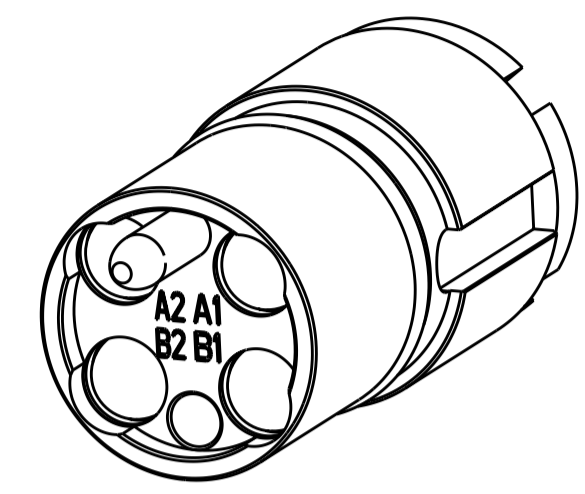
Address: A1208, Overseas Decoration Building, #122 Zhenhua RD., Futian, Shenzhen, China



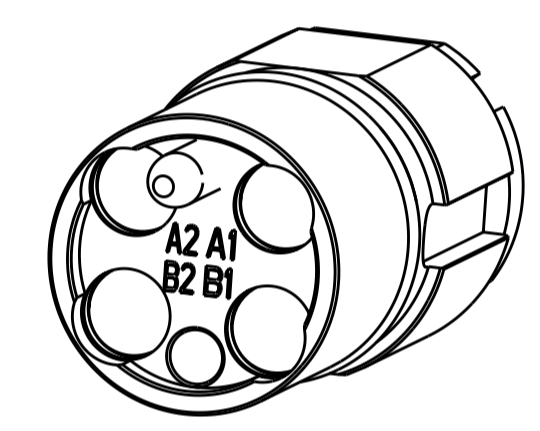
THIS DRAWING IS UNPUBLISHED. RELEASED FOR PUBLICATION 20
 © COPYRIGHT 20 BY - ALL RIGHTS RESERVED.

LOC	DIST	REVISIONS			
P	LTR	DESCRIPTION	DATE	DWN	APVD
CE	16				
	D	ECR-07-018681	21AUG07	KG	DW
	DI	ECR-12-003450	22FEB2012	KG	DW

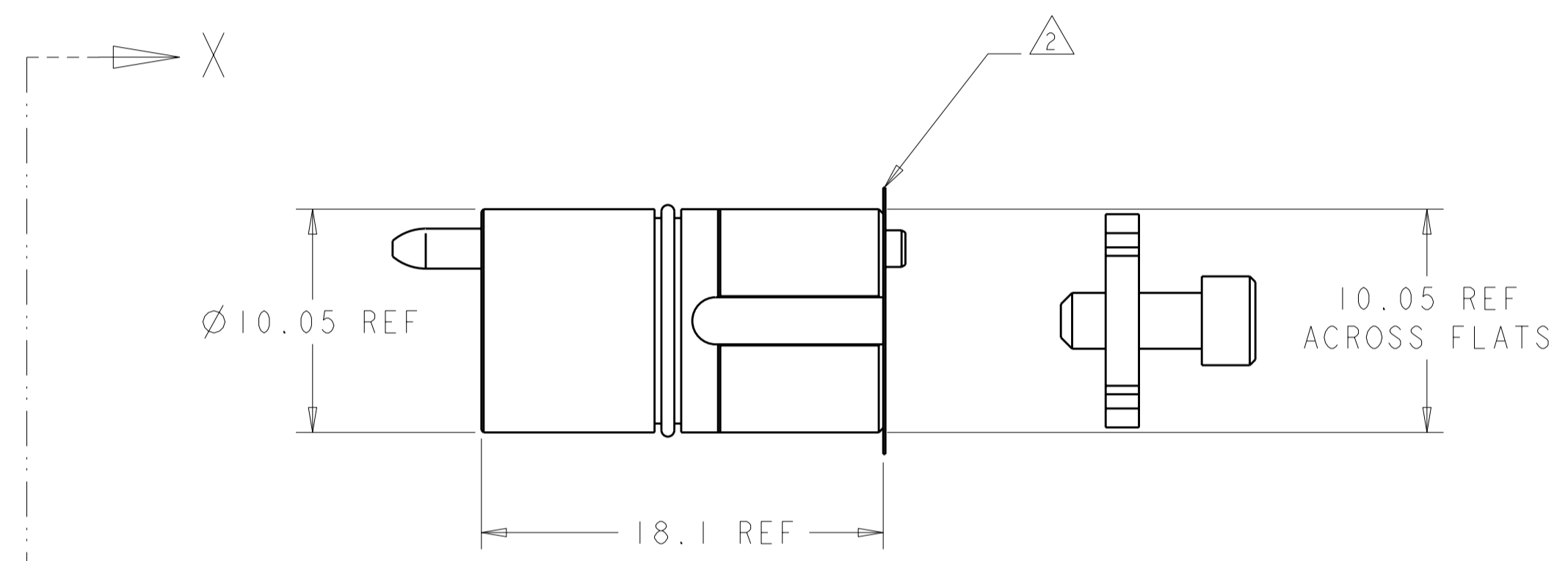
1. THIS PRODUCT HAS NOT COMPLETED VALIDATION TESTING.
2. PROTECTIVE LABEL APPLIED AFTER FINAL CLEAN ROOM TEST TO PREVENT OPTICAL CAVITY CONTAMINATION. REMOVE ONLY WHEN READY TO ASSEMBLE.
3. FOR USE WITH FERRULE ASSEMBLY KIT P/N 1754699-1, ONE PER FIBER. FERRULES MUST BE FLAT-POLISHED.
4. FOR USE WITH JACKETED CABLE FERRULE ASSEMBLY P/N 1754456-3, ONE PER FIBER. FERRULES MUST BE FLAT-POLISHED.



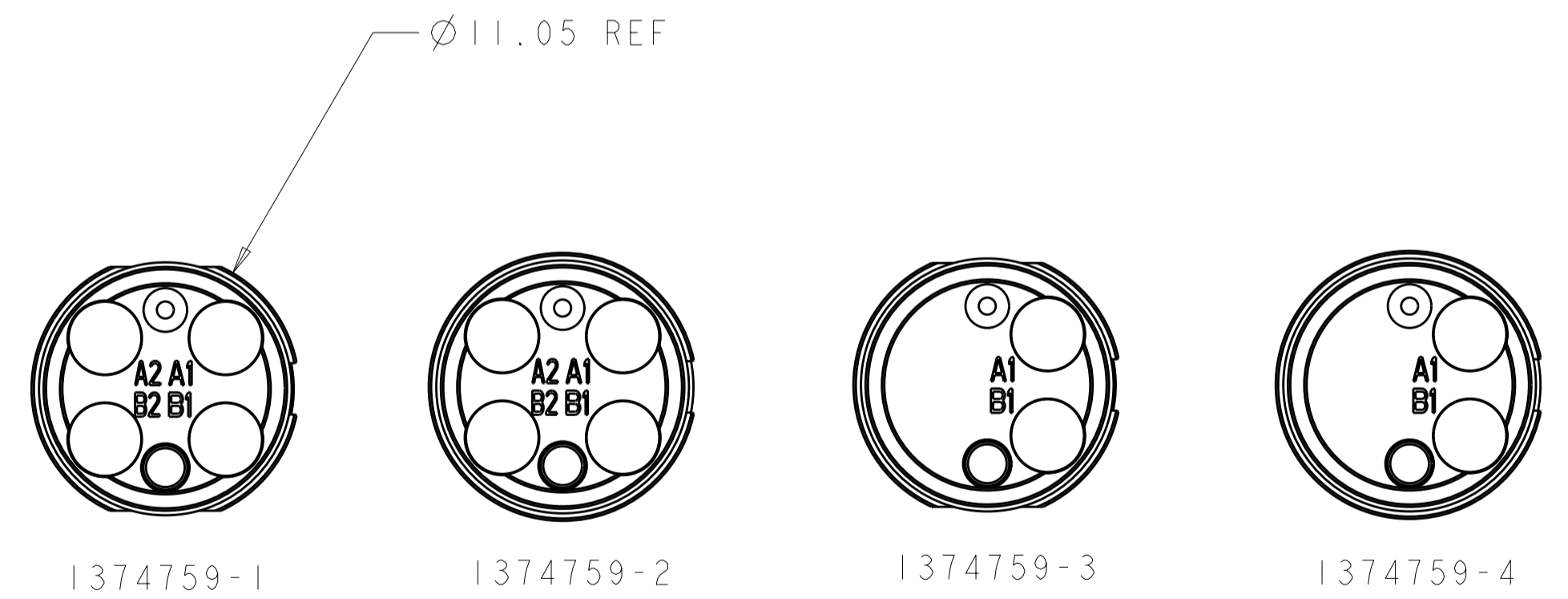
1374759-2



1374759-1



1374759-1



VIEW X - X
(SHOWN WITHOUT PROTECTIVE LABEL)

DESCRIPTION	PART NUMBER
2 CHANNEL, 850/1300nm MM	1374759-8
2 CHANNEL, 850/1300nm MM, ARINC	1374759-7
4 CHANNEL, 850/1300nm MM	1374759-6
4 CHANNEL, 850/1300nm MM, ARINC	1374759-5
2 CHANNEL, 850/1300nm MM	1374759-4
2 CHANNEL, 850/1300nm MM, ARINC	1374759-3
4 CHANNEL, 850/1300nm MM	1374759-2
4 CHANNEL, 850/1300nm MM, ARINC	1374759-1

THIS DRAWING IS A CONTROLLED DOCUMENT. DIMENSIONING AND TOLERANCING PER ASME Y14.5M-2009		DWN K. GLATFELTER 19APR2004	TE Connectivity	
DIMENSIONS: mm		CHK D. WERTMAN 07JUN2004		
TOLERANCES UNLESS OTHERWISE SPECIFIED:		APVD D. WERTMAN 07JUN2004	NAME INSERT ASSEMBLY, MINI EB 850/1300nm, MM	
0 PLC ± 1 PLC ± 2 PLC ± 3 PLC ± 4 PLC ± ANGLES ± FINISH		PRODUCT SPEC -	SIZE A200779	DRAWING NO C-1374759
MATERIAL STAINLESS ALLOYS & NBR		WEIGHT -	SCALE 4:1	RESTRICTED TO -
N/A		CUSTOMER DRAWING	SHEET 1 OF 1	REV DI