



Chipsmall Limited consists of a professional team with an average of over 10 year of expertise in the distribution of electronic components. Based in Hongkong, we have already established firm and mutual-benefit business relationships with customers from,Europe,America and south Asia,supplying obsolete and hard-to-find components to meet their specific needs.

With the principle of “Quality Parts,Customers Priority,Honest Operation,and Considerate Service”,our business mainly focus on the distribution of electronic components. Line cards we deal with include Microchip,ALPS,ROHM,Xilinx,Pulse,ON,Everlight and Freescale. Main products comprise IC,Modules,Potentiometer,IC Socket,Relay,Connector.Our parts cover such applications as commercial,industrial, and automotives areas.

We are looking forward to setting up business relationship with you and hope to provide you with the best service and solution. Let us make a better world for our industry!



## Contact us

Tel: +86-755-8981 8866 Fax: +86-755-8427 6832

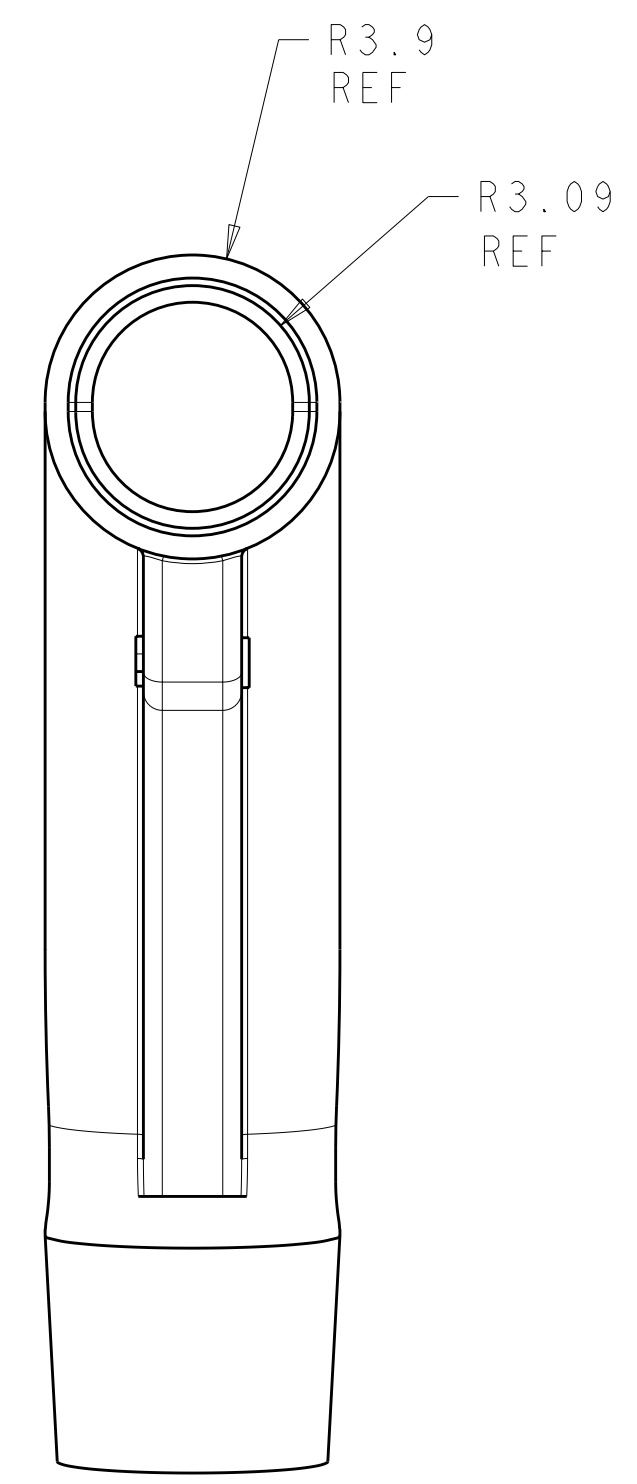
Email & Skype: info@chipsmall.com Web: www.chipsmall.com

Address: A1208, Overseas Decoration Building, #122 Zhenhua RD., Futian, Shenzhen, China

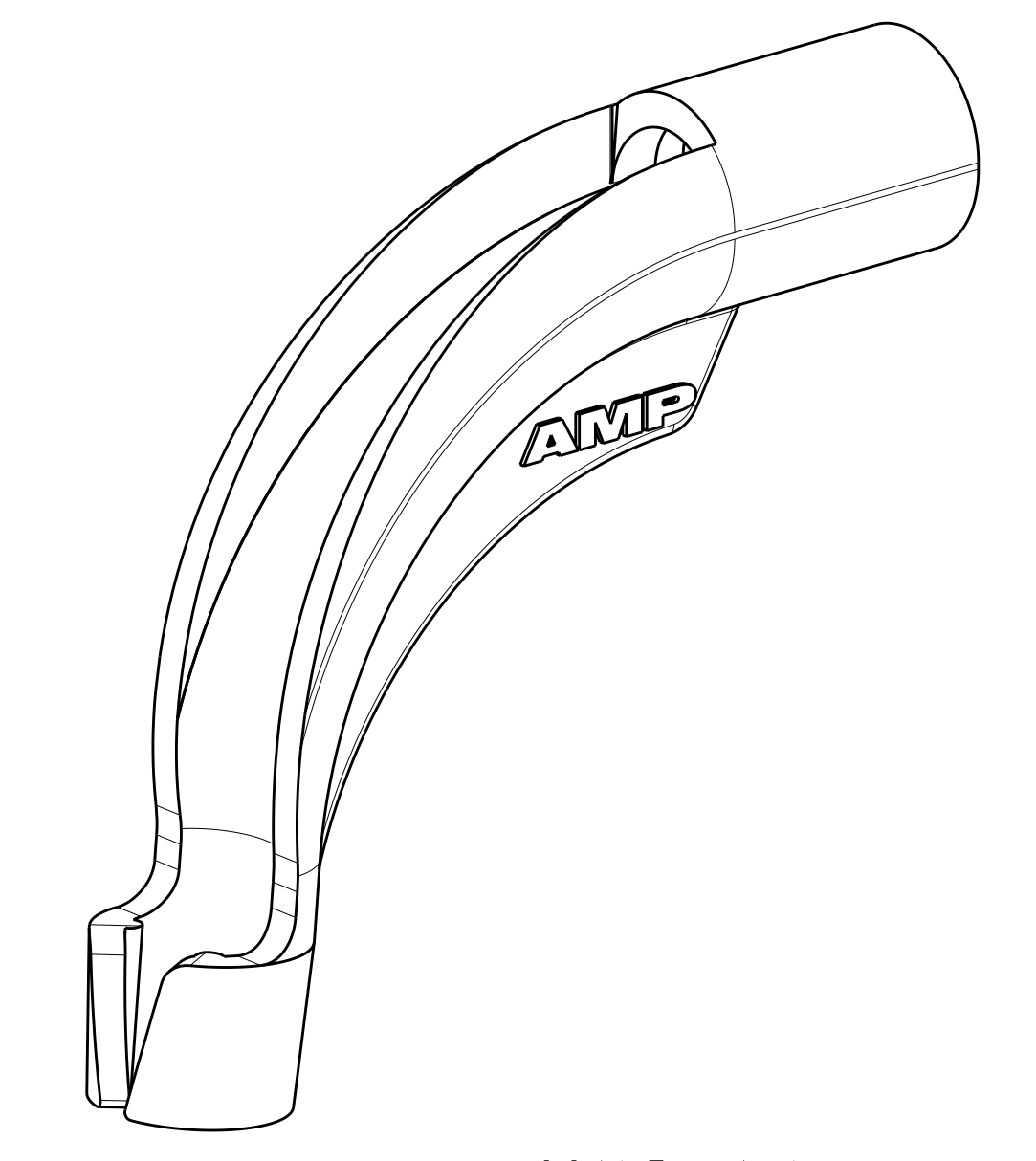
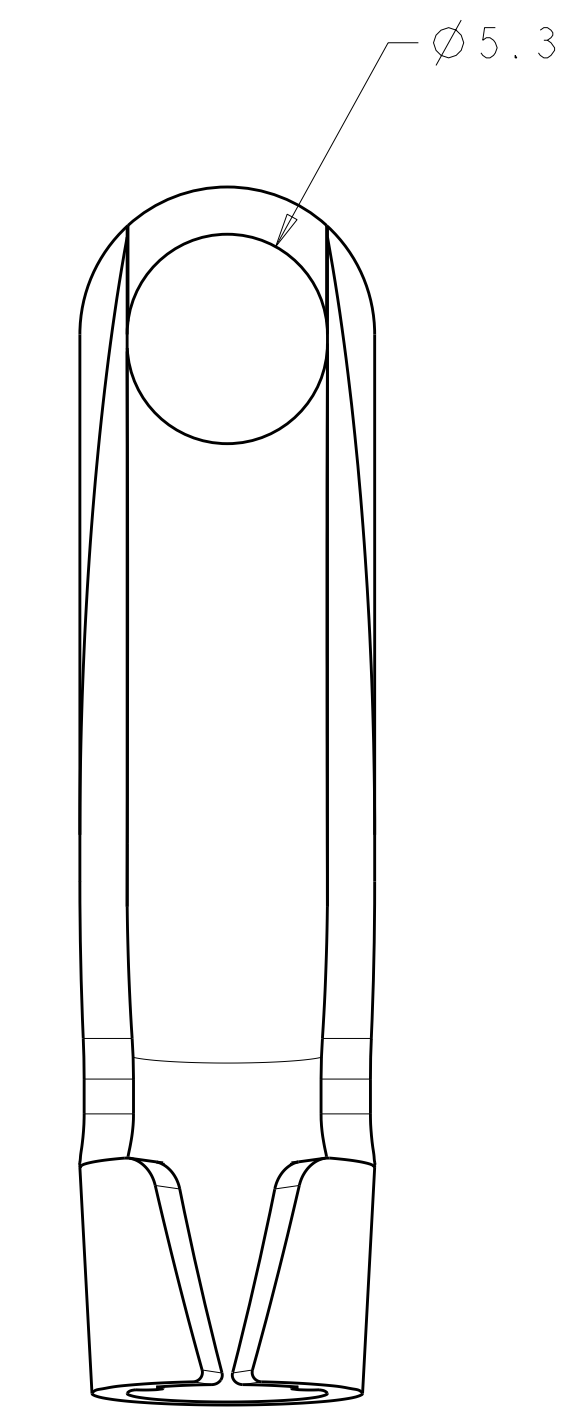
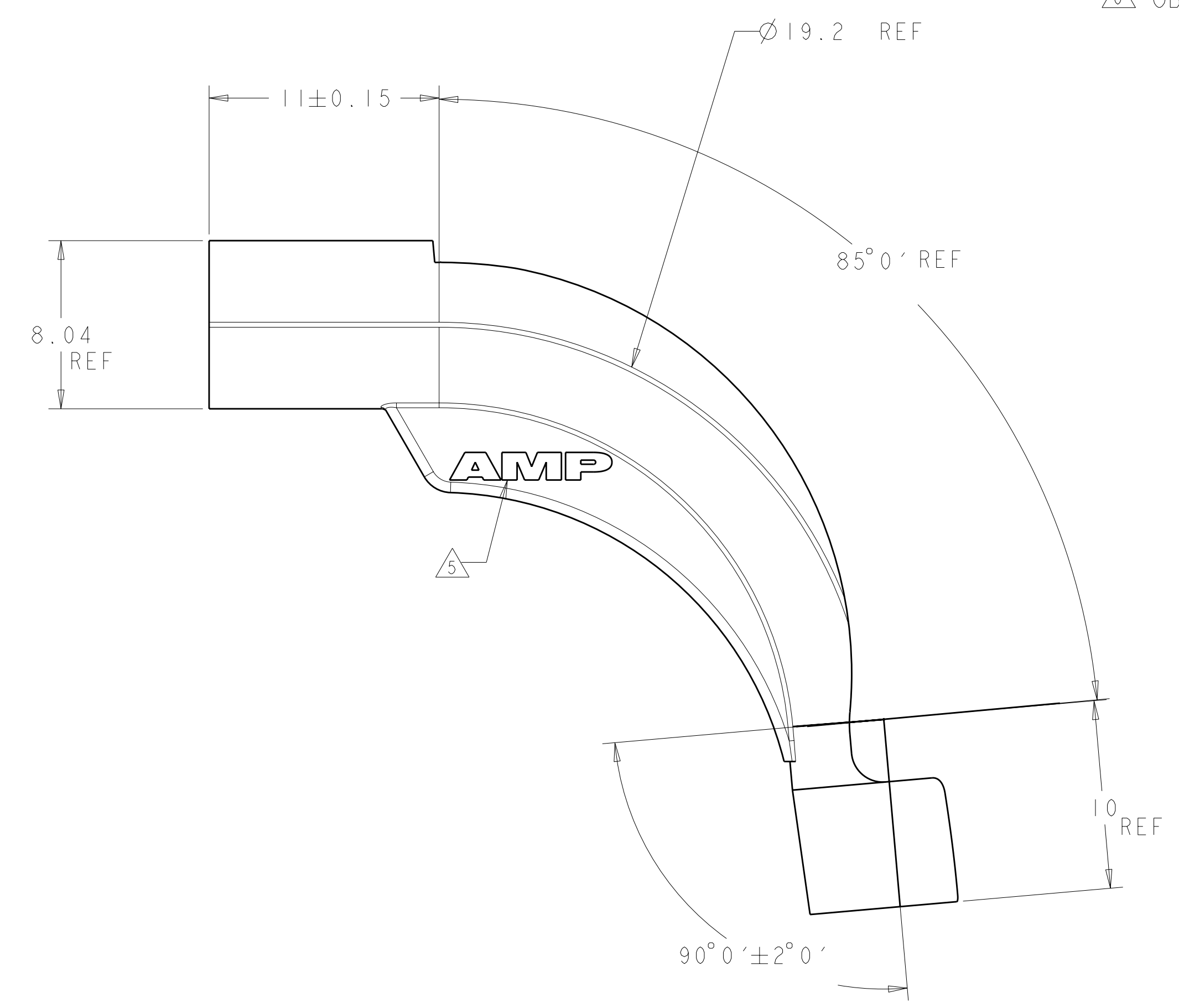


LOC	DIST	REV	DATE	BY	CHK	APPD
CE	16	0	27SEP2000	LE	SH	
		01	21NOV09	WK	AEQ	

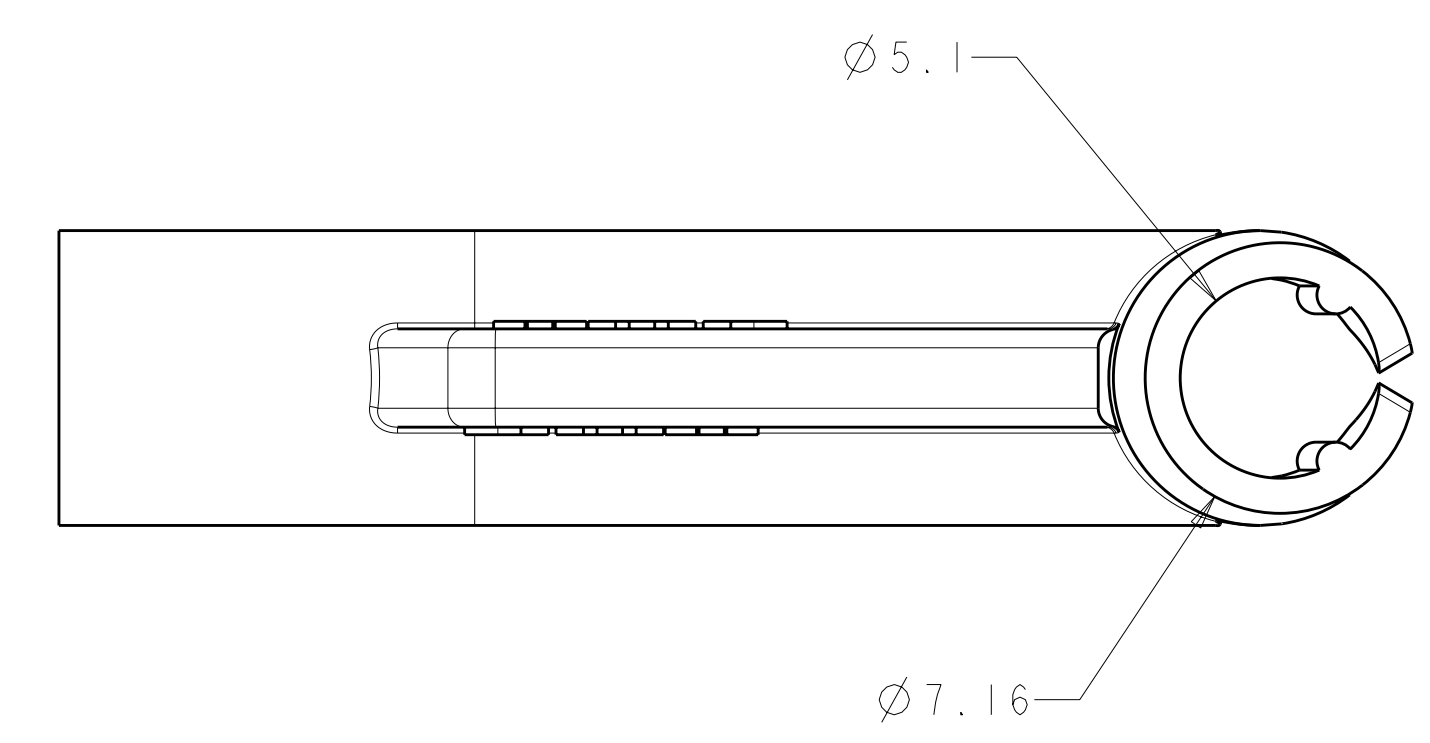
- △ MATERIAL: THERMOPLASTIC, COLOR:BLACK.
- △ MATERIAL: THERMOPLASTIC, COLOR:GREEN.
- △ MATERIAL: THERMOPLASTIC, COLOR:BLUE.
- △ MATERIAL: THERMOPLASTIC, COLOR:RED.
- △ MOLDED IN AMP LOGO FOR -1 THRU -4
- △ OBSOLETE PARTS: OBSOLETE CIS STREAMLINING PER D.RENAUD/D.SINISI



SCALE 5:1



SCALE 4:1



AMP LOGO	COLOR	MATERIAL	PART NUMBER	
NO	RED	△1	1374999-8	
NO	BLUE	△3	1374999-7	
NO	GREEN	△2	1374999-6	
NO	BLACK	△1	1374999-5	
YES	RED	△4	1374999-4	
YES	BLUE	△3	1374999-3	
△6 OBSOLETE	YES	GREEN	△2	1374999-2
YES	BLACK	△1	1374999-1	

DIMENSIONS: mm 	TOLERANCES UNLESS OTHERWISE SPECIFIED: 0 PLC ±0.25 1 PLC ±0.2 2 PLC ±0.13 3 PLC ± 4 PLC ± ANGLES ± FINISH ±	DWN: 25MAY2000 MORNINGSSTAR S. HILKER 07JUL2000 F. ABENDSCHEIN NAME: OPEN DIRECTOR LIGHTRAY MPX PRODUCT SPEC: APPLICATION SPEC: WEIGHT: CUSTOMER DRAWING	Tyco Electronics Corporation Harrisburg, PA 17105-3608 SIZE: A100779 CAGE CODE: C=1374999 SCALE: 5:1 SHEET: 1 OF 1 REV: 01
-----------------------	--	--	--