



Chipsmall Limited consists of a professional team with an average of over 10 year of expertise in the distribution of electronic components. Based in Hongkong, we have already established firm and mutual-benefit business relationships with customers from,Europe,America and south Asia,supplying obsolete and hard-to-find components to meet their specific needs.

With the principle of “Quality Parts,Customers Priority,Honest Operation,and Considerate Service”,our business mainly focus on the distribution of electronic components. Line cards we deal with include Microchip,ALPS,ROHM,Xilinx,Pulse,ON,Everlight and Freescale. Main products comprise IC,Modules,Potentiometer,IC Socket,Relay,Connector.Our parts cover such applications as commercial,industrial, and automotives areas.

We are looking forward to setting up business relationship with you and hope to provide you with the best service and solution. Let us make a better world for our industry!



Contact us

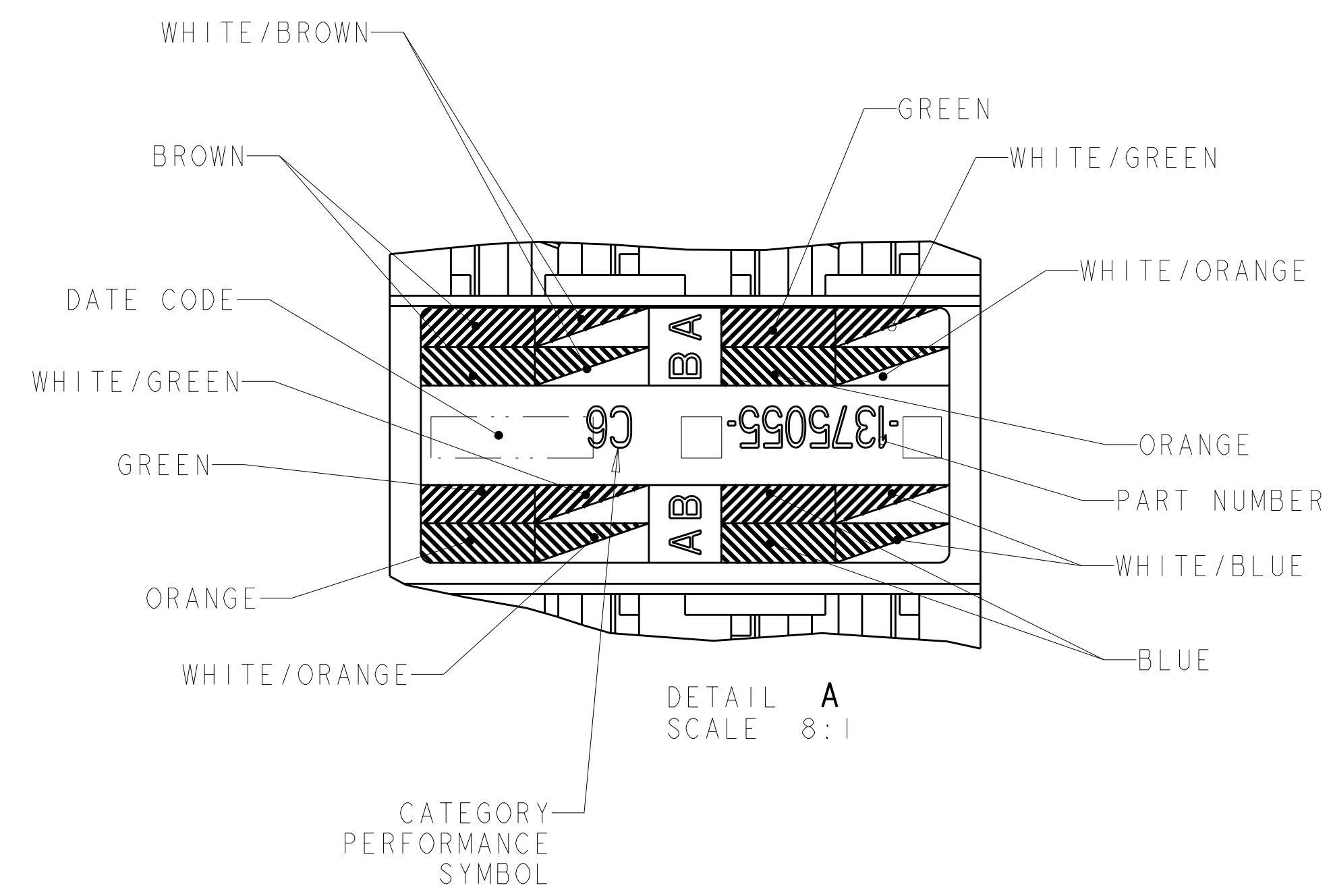
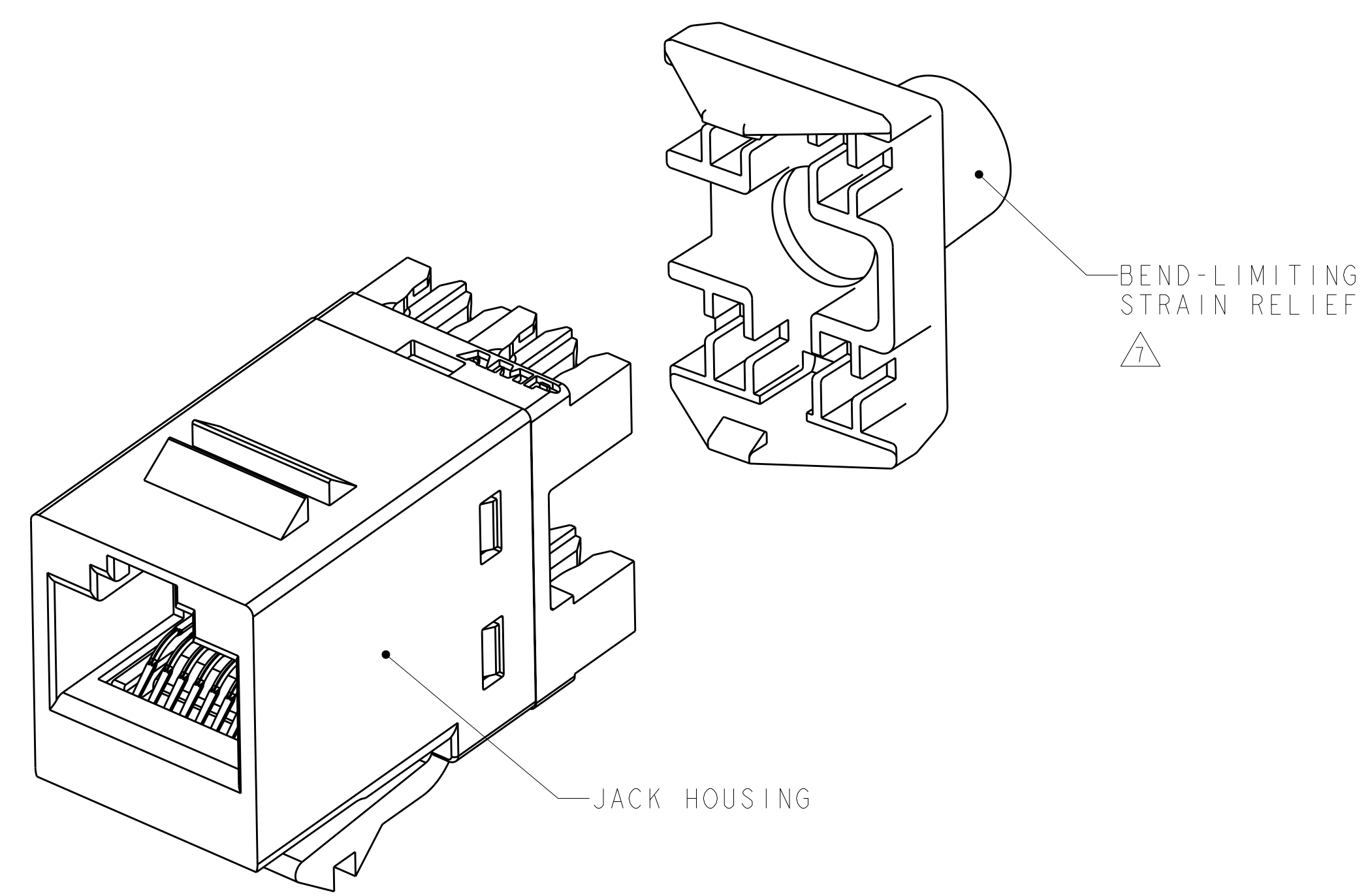
Tel: +86-755-8981 8866 Fax: +86-755-8427 6832

Email & Skype: info@chipsmall.com Web: www.chipsmall.com

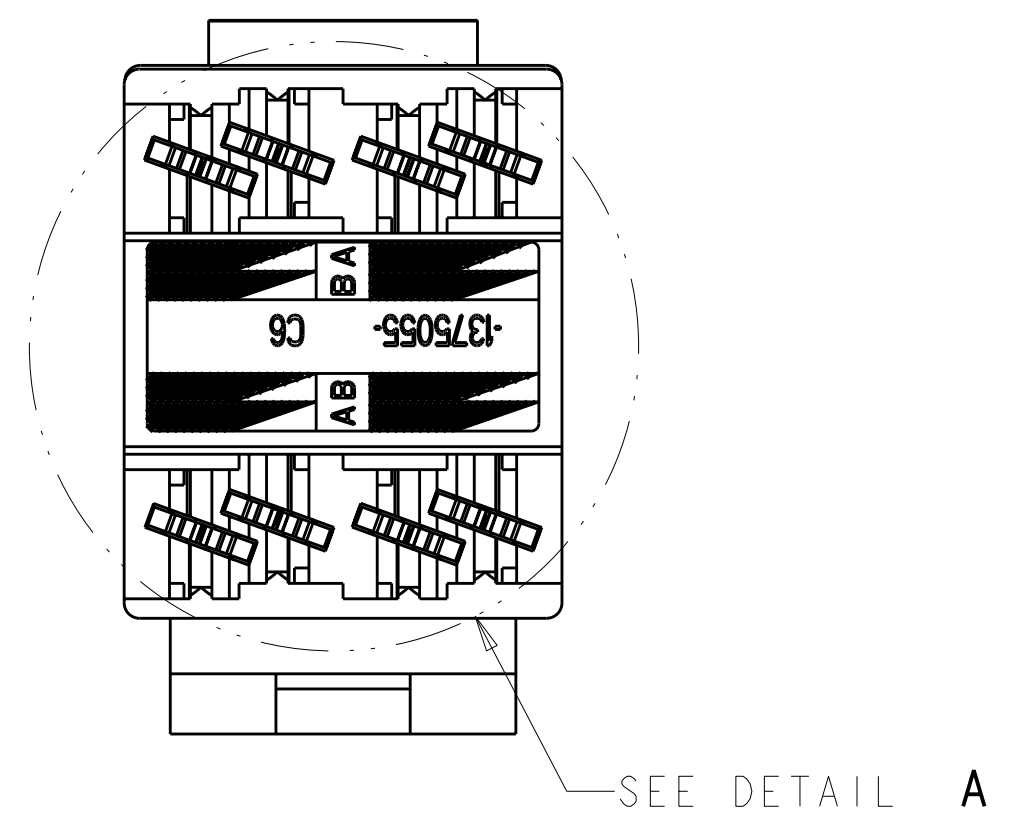
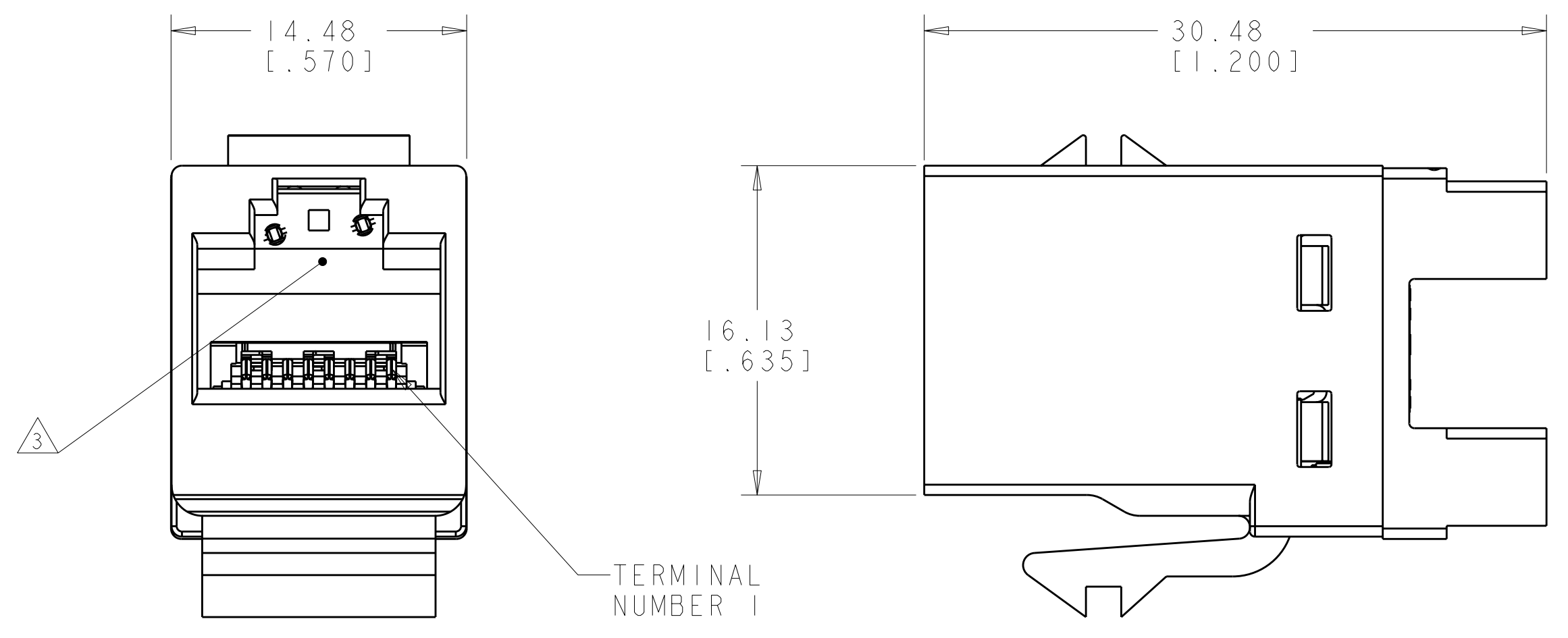
Address: A1208, Overseas Decoration Building, #122 Zhenhua RD., Futian, Shenzhen, China



LOC	DIST	REV	DATE	BY	CHK	APPD
HM	00	M1	09MAY2011	RK	HMR	
		N	27OCT2011	GG	SA	



- 1. MATERIAL: JACK HOUSING - POLYCARBONATE, 94V-0 RATED. 110 BLOCK AND BEND LIMITING STRAIN RELIEF - POLYCARBONATE. ARRAY TRAY - PBT POLYESTER. JACK CONTACTS ARRAY - BERYLLIUM COPPER, PLATED WITH 1.27µm [0.000050] MINIMUM THICK GOLD IN LOCALIZED AREA AND 3.81µm [0.000150] MINIMUM THICK MATTE TIN IN BOARD INTERFACE AREA OVER 1.27µm [0.000050] MINIMUM THICK NICKEL UNDERPLATE. IDC TERMINALS - PHOSPHOROUS BRONZE, PLATED WITH 3.81µm [0.00015] MINIMUM THICK MATTE TIN OVER 1.27µm [0.00005] MINIMUM THICK NICKEL UNDERPLATE.
- 2. SL 110 JACK WILL TERMINATE 22-24 AWG SOLID AND 24-26 AWG STRANDED CONDUCTORS, 1.27[.050] MAXIMUM INSULATION DIAMETER. JACK WILL ACCEPT CONDUCTORS UP TO 1.45 [0.057] BUT REQUIRE THE USE OF A STRAIN RELIEF.
- 3. CAVITY CONFORMS TO FCC RULES AND REGULATIONS) PART 68 SUBPART F REQUIREMENTS.
- 4. MOUNTING PANEL THICKNESS 1.47 - 1.60 [0.058 - .063].
- 5. THESE TWO SUGGESTED CUTOUT OPENINGS ARE USED IN TANDEM WITH DUAL FRONT AND BACK CUTOUTS.
- 6. ONE MODULAR JACK ASSEMBLY PER POLYBAG.
- 7. USE IS OPTIONAL.
- 8. TWENTY FIVE MODULAR JACKS PER POLYBAG.
- 9. REFER TO 408-8858 FOR TERMINATION INSTRUCTIONS USING SL SERIES TOOL TERMINATION. REFER TO 408-8417 FOR TERMINATION INSTRUCTIONS USING 110 PUNCH DOWN TOOL.

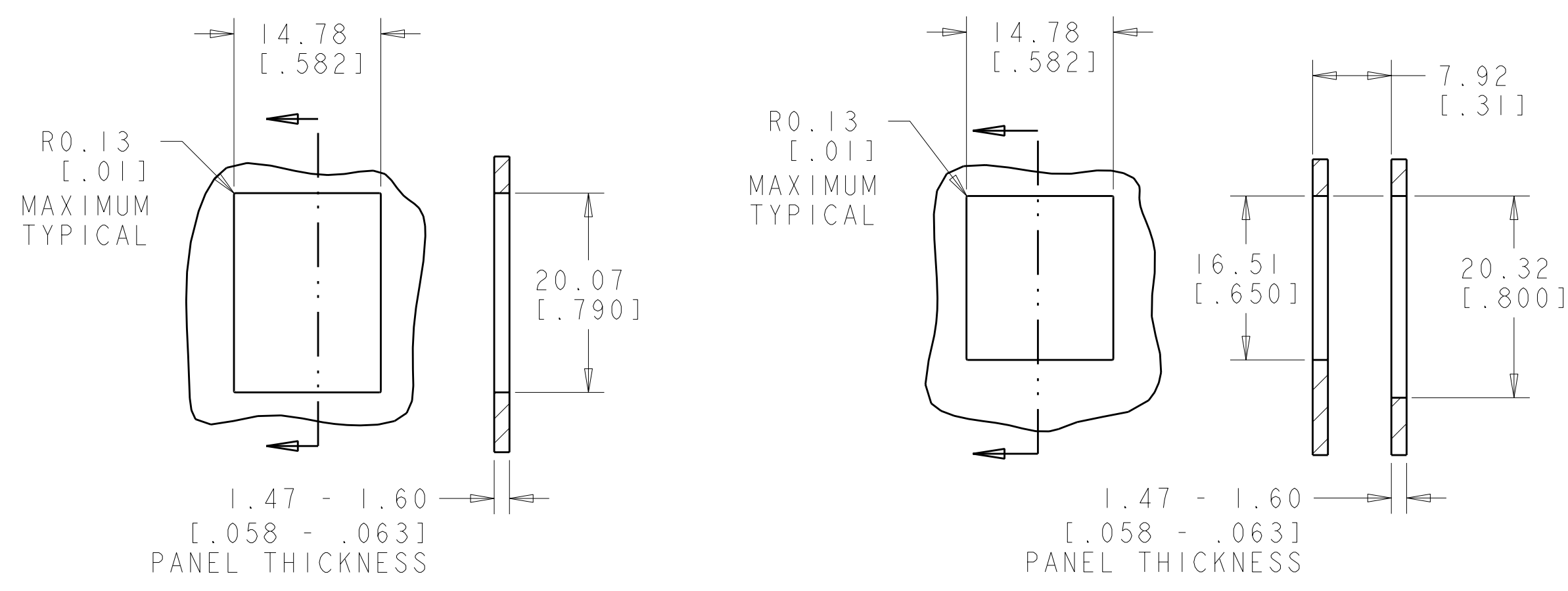


COLOR CODE	IDC TERMINAL	MODULAR JACK
WHITE/BLUE	5	5
BLUE	4	4
WHITE/ORANGE	3	3
ORANGE	6	6
WHITE/GREEN	1	1
GREEN	2	2
WHITE/BROWN	7	7
BROWN	8	8

ELECTRICAL SCHEMATIC T568A

COLOR CODE	IDC TERMINAL	MODULAR JACK
WHITE/BLUE	5	5
BLUE	4	4
WHITE/ORANGE	1	1
ORANGE	2	2
WHITE/GREEN	3	3
GREEN	6	6
WHITE/BROWN	7	7
BROWN	8	8

ELECTRICAL SCHEMATIC T568B



ALPINE WHITE	3-1375055-3
ELECTRIC IVORY	3-1375055-1
VIOLET	3-1375055-0
GREEN	2-1375055-9
YELLOW	2-1375055-8
RED	2-1375055-7
BLUE	2-1375055-6
ORANGE	2-1375055-5
NEMA GRAY	2-1375055-4
WHITE	2-1375055-3
BLACK	2-1375055-2
LIGHT ALMOND	2-1375055-1
ALPINE WHITE	1-1375055-3
ELECTRIC IVORY	1-1375055-1
VIOLET	1-1375055-0
GREEN	1375055-9
YELLOW	1375055-8
RED	1375055-7
BLUE	1375055-6
ORANGE	1375055-5
NEMA GRAY	1375055-4
WHITE	1375055-3
BLACK	1375055-2
LIGHT ALMOND	1375055-1
PACKAGE	HOUSING COLOR PART NUMBER

THIS DRAWING IS A CONTROLLED DOCUMENT.

DIMENSIONS: MM [inches]	TOLERANCES UNLESS OTHERWISE SPECIFIED:	9 PLC ±	1 PLC ±	2 PLC ±	3 PLC ±	4 PLC ±	ANGLES ±	FINISH
-------------------------	--	---------	---------	---------	---------	---------	----------	--------

MATERIAL: - FINISH: - WEIGHT: -

APPROVED: [Signature]

DATE: 18OCT2001

BY: T. PITTS

CHK: L. SMITH

APPD: B. TRIPP

PRODUCT SPEC: 108-1990-108-1990-3

APPLICATION SPEC: 9

NAME: ASSEMBLY, SL 110 JACK, CAT 6

SIZE: A1

CAGE CODE: 100779

DRAWING NO: C=1375055

RESTRICTED TO: -

CUSTOMER DRAWING

SCALE: 6:1

SHEET: 1 OF 1

REV: N