



Chipsmall Limited consists of a professional team with an average of over 10 year of expertise in the distribution of electronic components. Based in Hongkong, we have already established firm and mutual-benefit business relationships with customers from,Europe,America and south Asia,supplying obsolete and hard-to-find components to meet their specific needs.

With the principle of “Quality Parts,Customers Priority,Honest Operation,and Considerate Service”,our business mainly focus on the distribution of electronic components. Line cards we deal with include Microchip,ALPS,ROHM,Xilinx,Pulse,ON,Everlight and Freescale. Main products comprise IC,Modules,Potentiometer,IC Socket,Relay,Connector.Our parts cover such applications as commercial,industrial, and automotives areas.

We are looking forward to setting up business relationship with you and hope to provide you with the best service and solution. Let us make a better world for our industry!



## Contact us

Tel: +86-755-8981 8866 Fax: +86-755-8427 6832

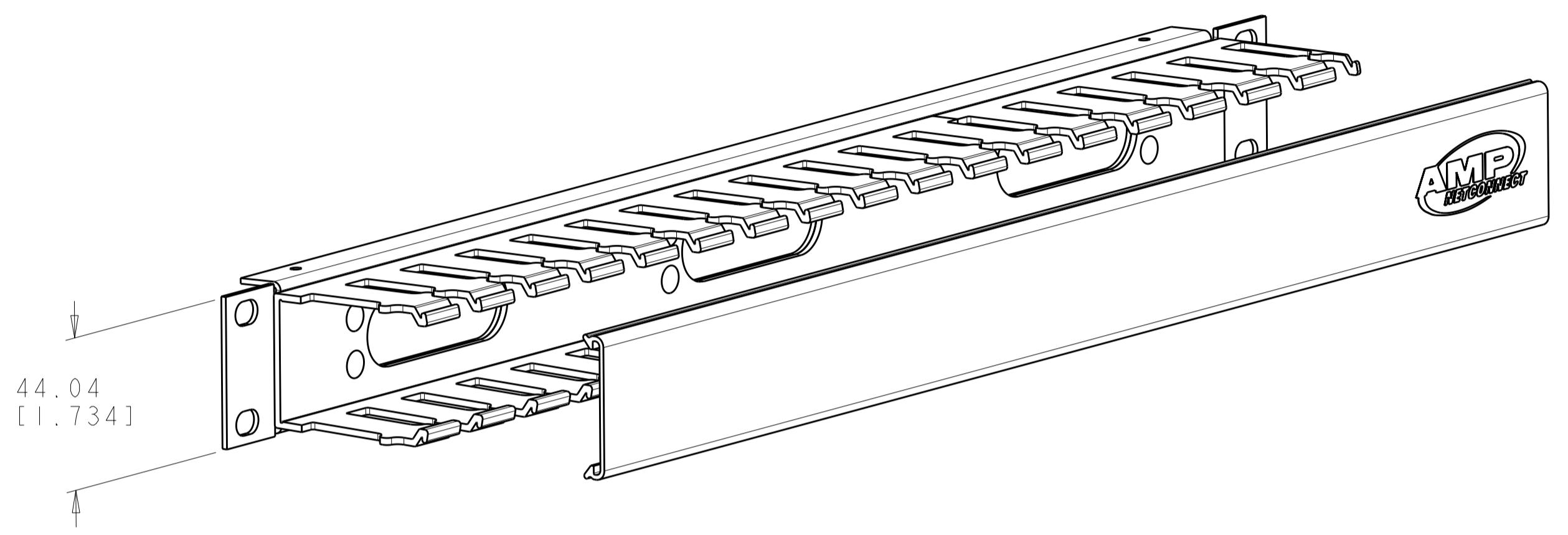
Email & Skype: info@chipsmall.com Web: www.chipsmall.com

Address: A1208, Overseas Decoration Building, #122 Zhenhua RD., Futian, Shenzhen, China

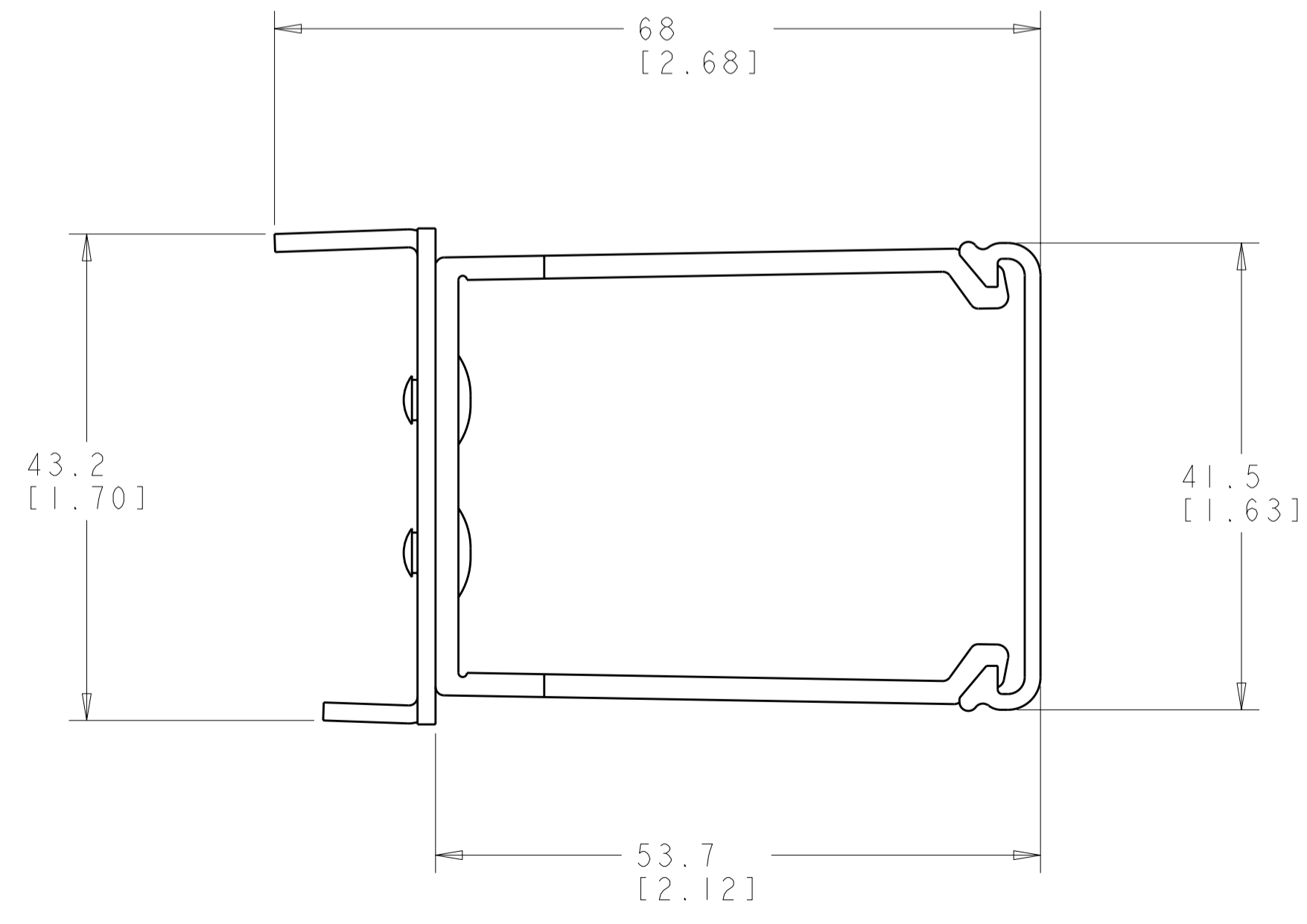


THIS DRAWING IS UNPUBLISHED. RELEASED FOR PUBLICATION 20  
 © COPYRIGHT 20 BY TYCO ELECTRONICS CORPORATION. ALL RIGHTS RESERVED.

LOC	DIST	REVISIONS					
HM	00	P	LTR	DESCRIPTION	DATE	DWN	APVD
		O		RELEASED; NPR NSD00-047	31JUL2000	GG	SH
		A		REV; EC 0B40-0312-01	04DEC01	GG	SH
		B		REV; ECO-10-002359	04FEB2010	GG	SH



- 1. MATERIAL: MATERIAL: ASSEMBLY - BLACK POWDER COAT CARBON STEEL, AND PVC, BLACK, MATTE FINISH.
- 2. ALL DIMENSIONS ARE NOMINAL UNLESS OTHERWISE NOTED.



511.18 [20.125]	1375161-2
438.15 [17.25]	1375161-1
COVER LENGTH	PART NUMBER

THIS DRAWING IS A CONTROLLED DOCUMENT FOR TYCO ELECTRONICS CORPORATION. IT IS SUBJECT TO CHANGE AND THE CONTROLLING ENGINEERING ORGANIZATION SHOULD BE CONTACTED FOR THE LATEST REVISION.		DWN G. GARRETT 31 JUL 2000	Tyco Electronics Harrisburg, PA 17105-3608	
DIMENSIONS: mm [INCHES]		CHK S. HERNDON 31 JUL 2000	NAME PANEL, CABLE MANAGEMENT, 1.75 D	
TOLERANCES UNLESS OTHERWISE SPECIFIED: 0 PLC ± 1 PLC ± 2 PLC ± 3 PLC ± 4 PLC ± ANGLES ± FINISH -		APVD B. DAVIS 31 JUL 2000	RESTRICTED TO	
MATERIAL		PRODUCT SPEC	SIZE A2	CAGE CODE 00779
1		APPLICATION SPEC	DRAWING NO 1375161	REV B
CUSTOMER DRAWING		WEIGHT	SCALE 2:1	SHEET 1 OF 1