



Chipsmall Limited consists of a professional team with an average of over 10 year of expertise in the distribution of electronic components. Based in Hongkong, we have already established firm and mutual-benefit business relationships with customers from,Europe,America and south Asia,supplying obsolete and hard-to-find components to meet their specific needs.

With the principle of “Quality Parts,Customers Priority,Honest Operation,and Considerate Service”,our business mainly focus on the distribution of electronic components. Line cards we deal with include Microchip,ALPS,ROHM,Xilinx,Pulse,ON,Everlight and Freescale. Main products comprise IC,Modules,Potentiometer,IC Socket,Relay,Connector.Our parts cover such applications as commercial,industrial, and automotives areas.

We are looking forward to setting up business relationship with you and hope to provide you with the best service and solution. Let us make a better world for our industry!



## Contact us

Tel: +86-755-8981 8866 Fax: +86-755-8427 6832

Email & Skype: info@chipsmall.com Web: www.chipsmall.com

Address: A1208, Overseas Decoration Building, #122 Zhenhua RD., Futian, Shenzhen, China



4

3

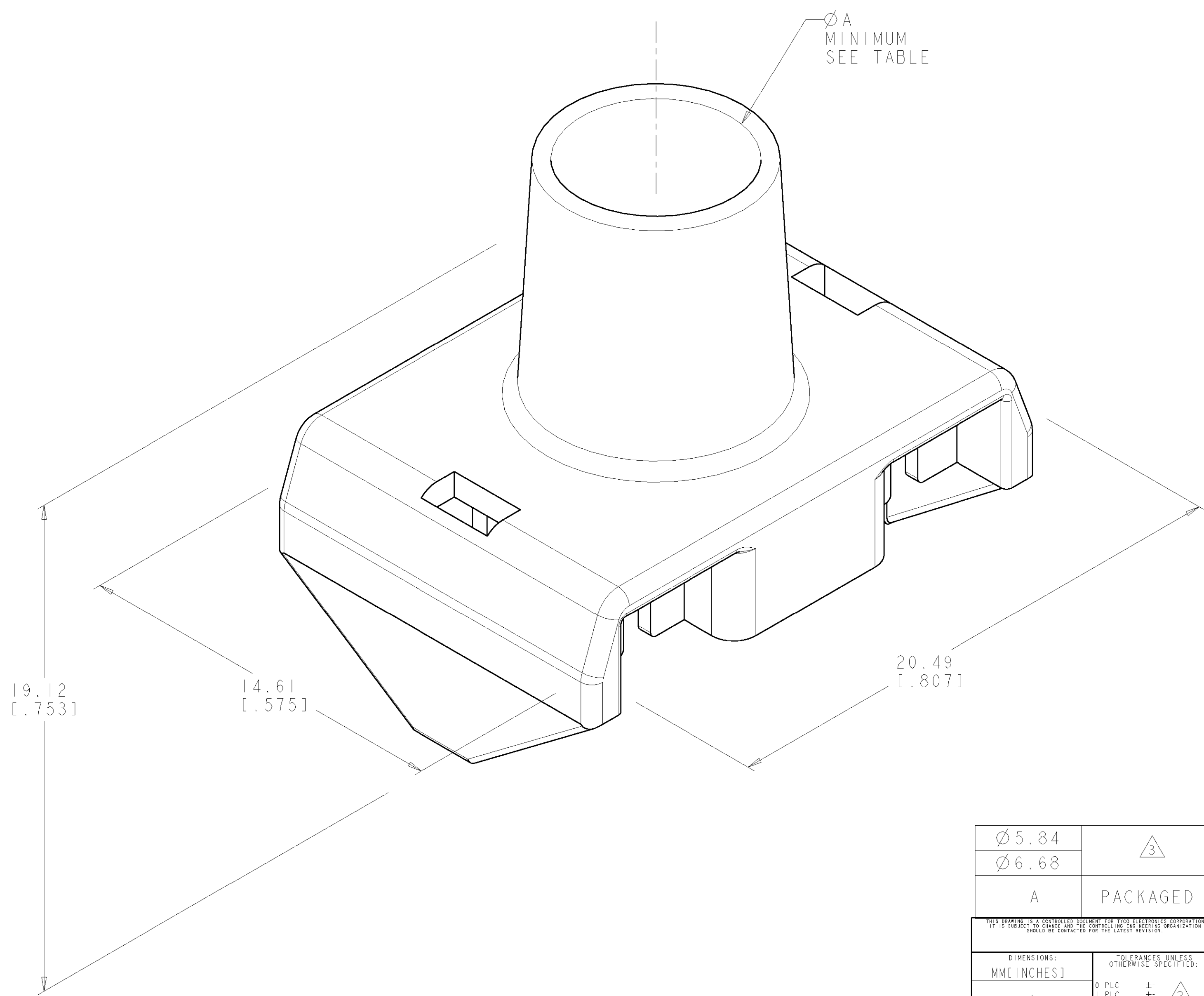
2

1

THIS DRAWING IS UNPUBLISHED. RELEASED FOR PUBLICATION 20  
 © COPYRIGHT 20 BY TYCO ELECTRONICS CORPORATION. ALL RIGHTS RESERVED.

LOC	DIST	REVISIONS					
HM	00	P	LTR	DESCRIPTION	DATE	DWN	APVD
		0		REV - EC 0B40-0222-01	28SEP01	LH	CD
		A		REV, 0B40-0128-02	14MAY02	TP	CD
		B		REV; EC 0B40-0105-03	14MAY03	GG	CD

- 1 MATERIAL: POLYCARBONATE, SEE TABLE FOR COLOR.
- 2 DIMENSIONS ARE MAXIMUM UNLESS OTHERWISE NOTED.
- 3 PACKAGED 25 STRAIN RELIEFS PER POLYBAG.



Ø 5.84	3	LIGHT BLUE	CATEGORY 5e	1375200-2
Ø 6.68		SMOKED GRAY	CATEGORY 6	1375200-1
A	PACKAGED	COLOR 1	DESCRIPTION	PART NO.

<small>THIS DRAWING IS A CONTROLLED DOCUMENT FOR TYCO ELECTRONICS CORPORATION. IT IS SUBJECT TO CHANGE AND THE CONTROLLING ENGINEERING ORGANIZATION SHOULD BE CONTACTED FOR THE LATEST REVISION.</small>		DWN L. HALL 27SEP01	<b>tyco</b> Tyco Electronics <b>Electronics</b> Harrisburg, PA 17105-3608	
DIMENSIONS: MM [INCHES]		CHK L. SMITH 27SEP01	NAME BEND-LIMITING STRAIN RELIEF	
TOLERANCES UNLESS OTHERWISE SPECIFIED: 0 PLC ± 2 1 PLC ± 2 PLC ± 3 PLC ± 4 PLC ± ANGLES ± FINISH -		APVD C. DOOLEY 28SEP01	RESTRICTED TO	
MATERIAL	1	PRODUCT SPEC	SIZE	A2
		APPLICATION SPEC	CAGE CODE	00779
		WEIGHT	DRAWING NO	1375200
CUSTOMER DRAWING		SCALE		10:1
		SHEET		1 OF 1
		REV		B