



Chipsmall Limited consists of a professional team with an average of over 10 year of expertise in the distribution of electronic components. Based in Hongkong, we have already established firm and mutual-benefit business relationships with customers from,Europe,America and south Asia,supplying obsolete and hard-to-find components to meet their specific needs.

With the principle of "Quality Parts,Customers Priority,Honest Operation,and Considerate Service",our business mainly focus on the distribution of electronic components. Line cards we deal with include Microchip,ALPS,ROHM,Xilinx,Pulse,ON,Everlight and Freescale. Main products comprise IC,Modules,Potentiometer,IC Socket,Relay,Connector.Our parts cover such applications as commercial,industrial, and automotives areas.

We are looking forward to setting up business relationship with you and hope to provide you with the best service and solution. Let us make a better world for our industry!



## Contact us

Tel: +86-755-8981 8866 Fax: +86-755-8427 6832

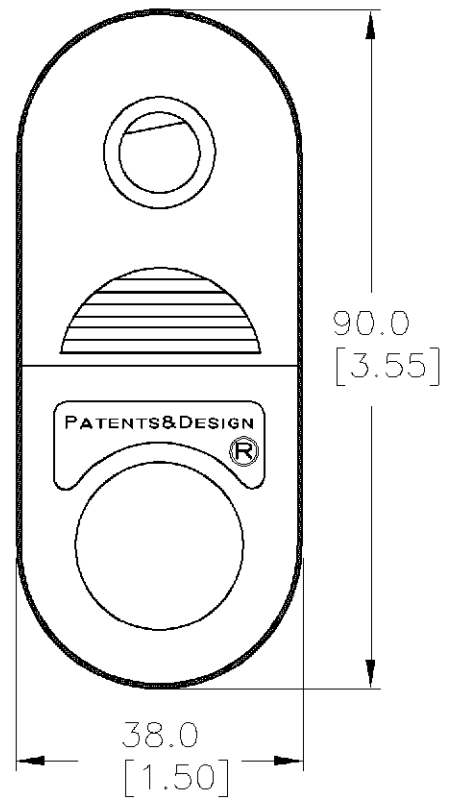
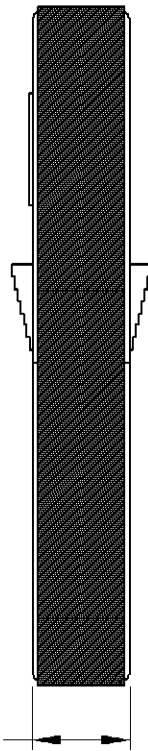
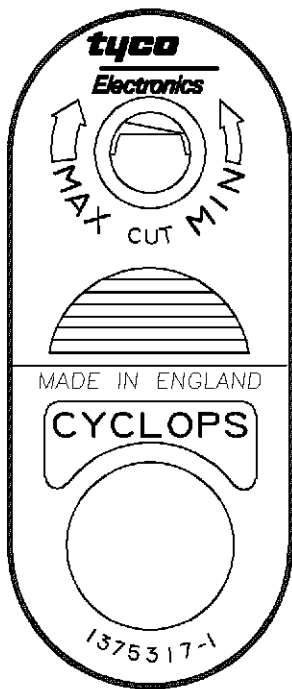
Email & Skype: info@chipsmall.com Web: www.chipsmall.com

Address: A1208, Overseas Decoration Building, #122 Zhenhua RD., Futian, Shenzhen, China



LOC	DIST	REVISIONS					
A	40	P	LTR	DESCRIPTION	DATE	DWN	APVD
		A		EC 0150-0643-02	5-02	WH	RS

1 MATERIAL: 30% GLASS REINFORCED NYLON,  
COLOR: LIGHT GRAY.



13.0  
[.51]

1375317-1 AS SHOWN

RELEASED FOR PUBLICATION

ALL RIGHTS RESERVED.

BY TYCO ELECTRONICS CORPORATION.

THIS DRAWING IS UNPUBLISHED.



DIMENSIONS: MM [INCHES]	DWN	L. HALL	14FEB01	MATERIAL	1	FINISH	-
	CHK	B. TRIPPE	14FEB01	Tyco Electronics Corporation Harrisburg, PA 17105			
TOLERANCES UNLESS OTHERWISE SPECIFIED:	APVD	B. TRIPPE	14FEB01	NAME			
	0 PLC	± -	PRODUCT SPEC	CYCLOPS 2, CABLE JACKET STRIPPER			
1 PLC	± -	APPLICATION SPEC	SIZE	CAGE CODE	DRAWING NO	RESTRICTED TO	
2 PLC	± .02 [.51]	WEIGHT	A4	00779	C-1375317	-	
3 PLC	± -	CUSTOMER DRAWING	SCALE	1:1	SHEET	1 OF 1	REV
4 PLC	± -						A
ANGLES	± -						

