



Chipsmall Limited consists of a professional team with an average of over 10 year of expertise in the distribution of electronic components. Based in Hongkong, we have already established firm and mutual-benefit business relationships with customers from,Europe,America and south Asia,supplying obsolete and hard-to-find components to meet their specific needs.

With the principle of "Quality Parts,Customers Priority,Honest Operation,and Considerate Service",our business mainly focus on the distribution of electronic components. Line cards we deal with include Microchip,ALPS,ROHM,Xilinx,Pulse,ON,Everlight and Freescale. Main products comprise IC,Modules,Potentiometer,IC Socket,Relay,Connector.Our parts cover such applications as commercial,industrial, and automotives areas.

We are looking forward to setting up business relationship with you and hope to provide you with the best service and solution. Let us make a better world for our industry!



Contact us

Tel: +86-755-8981 8866 Fax: +86-755-8427 6832

Email & Skype: info@chipsmall.com Web: www.chipsmall.com

Address: A1208, Overseas Decoration Building, #122 Zhenhua RD., Futian, Shenzhen, China



4

3

2

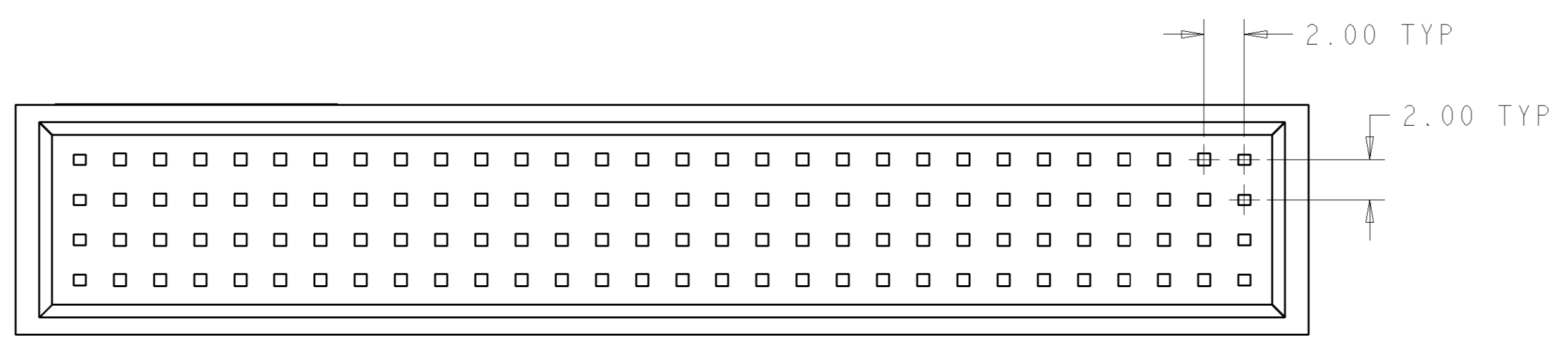
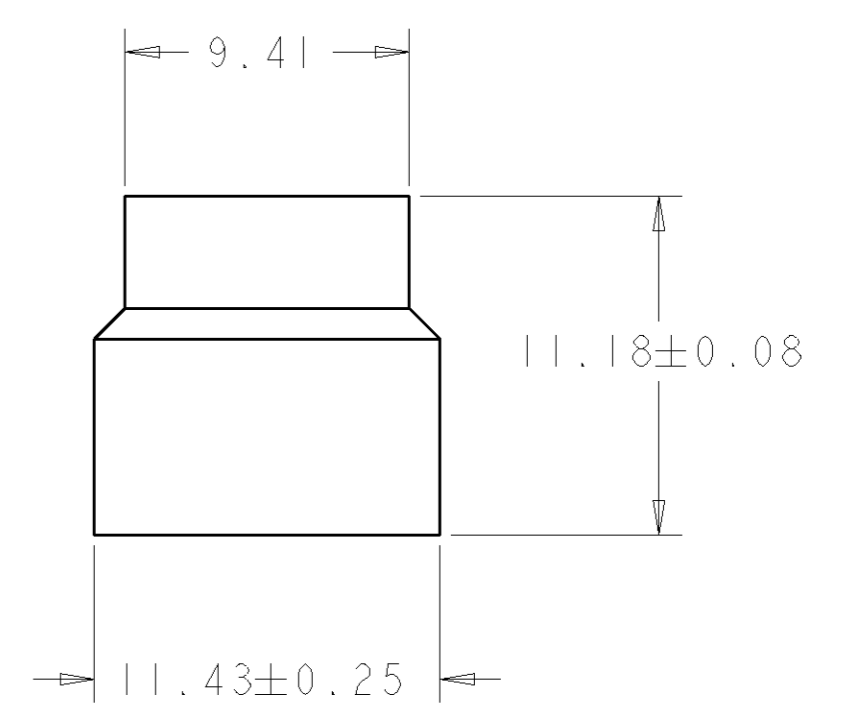
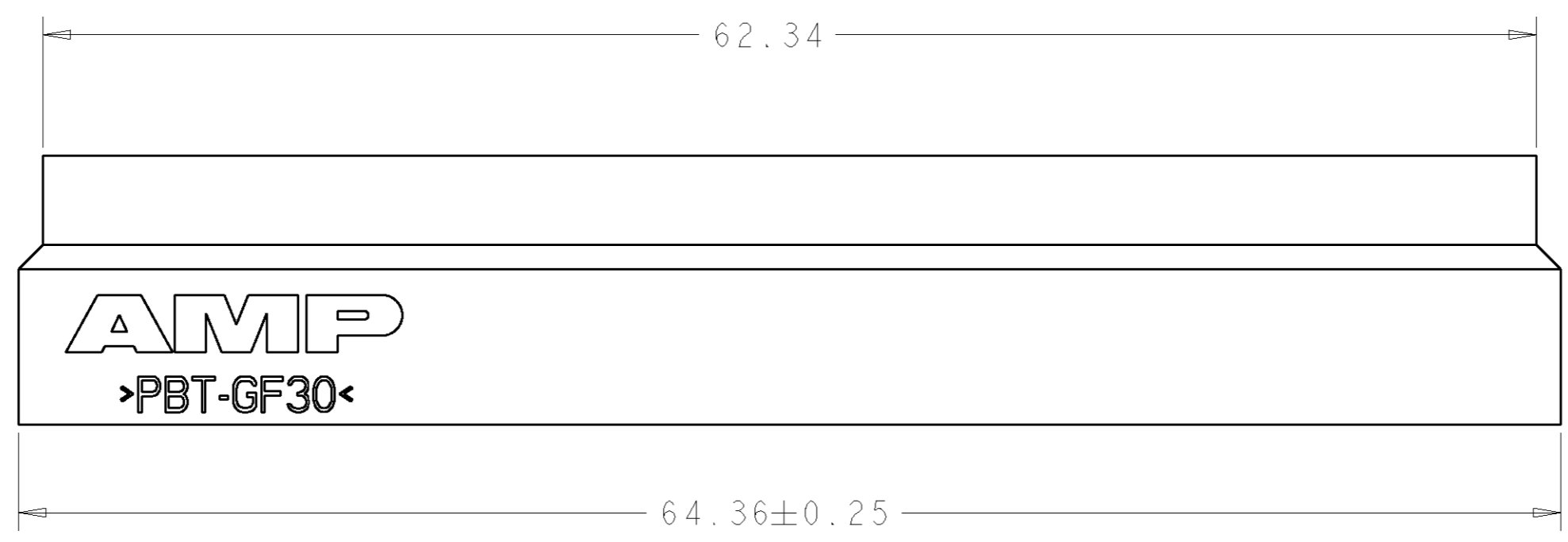
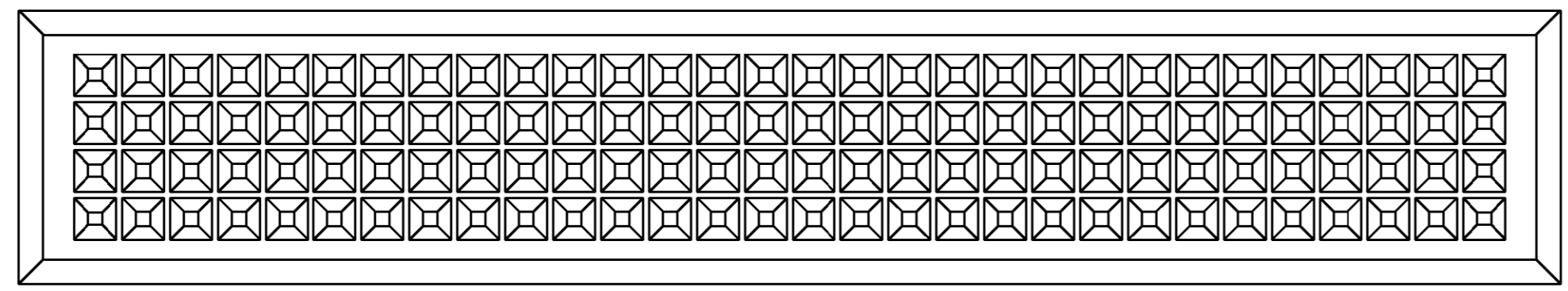
1

THIS DRAWING IS UNPUBLISHED. RELEASED FOR PUBLICATION 20

© COPYRIGHT BY ALL RIGHTS RESERVED.

LOC	DIST	REVISIONS			
P	LTR	DESCRIPTION	DATE	DWN	APVD
AD	00				
P		REVISED PER ECO-11-005294	30APR11	RK	HMR

⚠ MATERIAL: PBT POLYESTER, UL94V0, COLOR, BLACK.



1375801-1
PART NO

DIMENSIONS: mm 		TOLERANCES UNLESS OTHERWISE SPECIFIED: 0 PLC ± 1 PLC ± 2 PLC ±0.13 3 PLC ± 4 PLC ± ANGLES ± FINISH -		DWN W.G. LENKER 27SEP2000 CHK J. OLSON 13JUN2001 APVD J. OLSON 13JUN2001 PRODUCT SPEC - APPLICATION SPEC - WEIGHT -		STE TE Connectivity NAME - SHROUD, 120 POSITION, PCI04 PLUS SIZE A2 CAGE CODE 00779 DRAWING NO. 1375801 RESTRICTED TO - SCALE 4:1 SHEET OF REV P	
MATERIAL - ⚠		CUSTOMER DRAWING		WEIGHT -		SHEET OF REV P	