



Chipsmall Limited consists of a professional team with an average of over 10 year of expertise in the distribution of electronic components. Based in Hongkong, we have already established firm and mutual-benefit business relationships with customers from,Europe,America and south Asia,supplying obsolete and hard-to-find components to meet their specific needs.

With the principle of "Quality Parts,Customers Priority,Honest Operation,and Considerate Service",our business mainly focus on the distribution of electronic components. Line cards we deal with include Microchip,ALPS,ROHM,Xilinx,Pulse,ON,Everlight and Freescale. Main products comprise IC,Modules,Potentiometer,IC Socket,Relay,Connector.Our parts cover such applications as commercial,industrial, and automotives areas.

We are looking forward to setting up business relationship with you and hope to provide you with the best service and solution. Let us make a better world for our industry!



Contact us

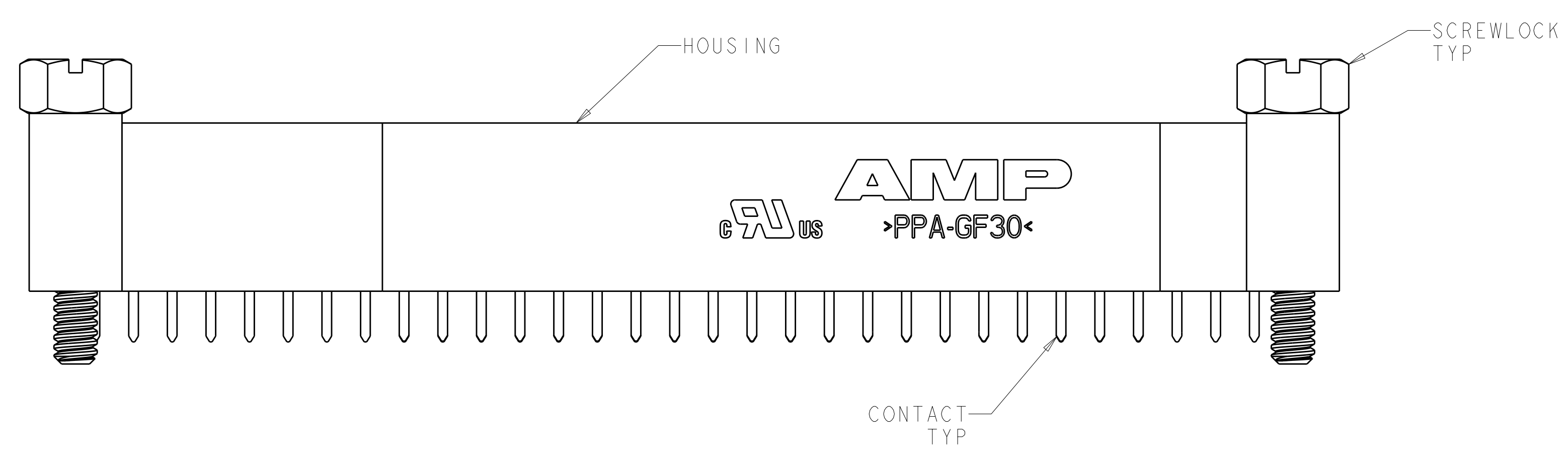
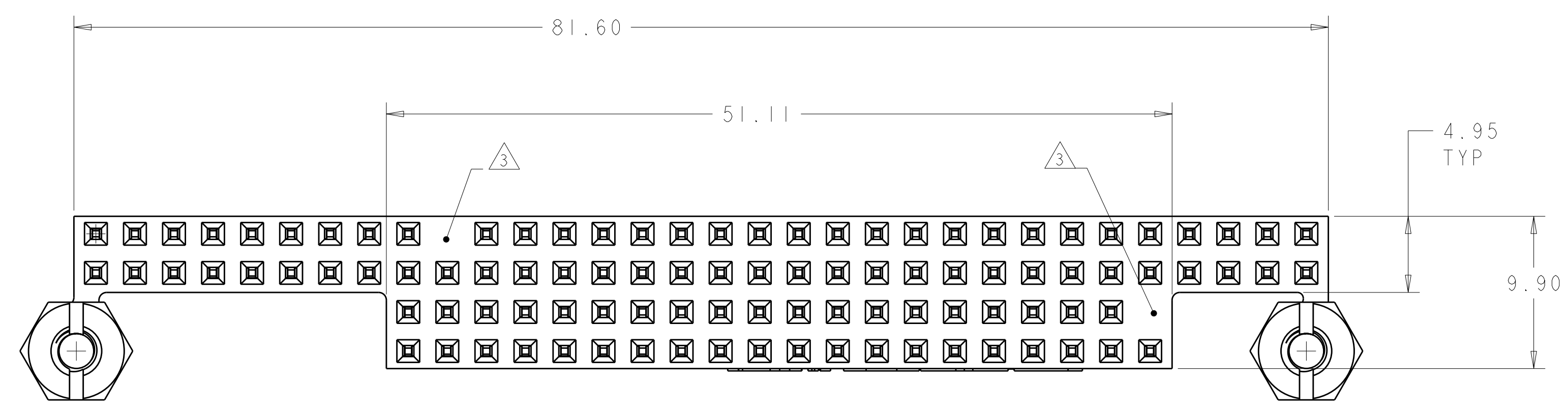
Tel: +86-755-8981 8866 Fax: +86-755-8427 6832

Email & Skype: info@chipsmall.com Web: www.chipsmall.com

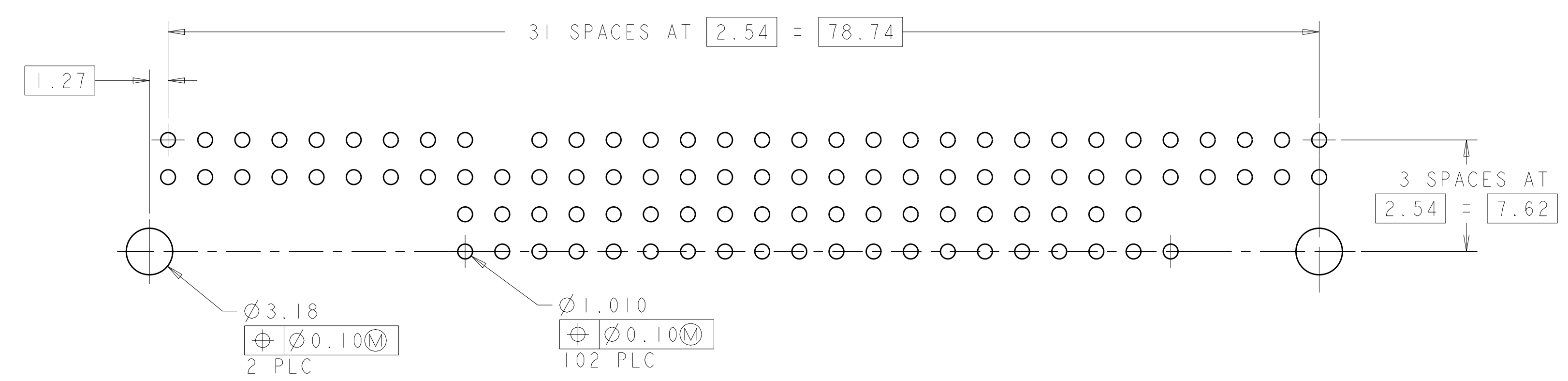
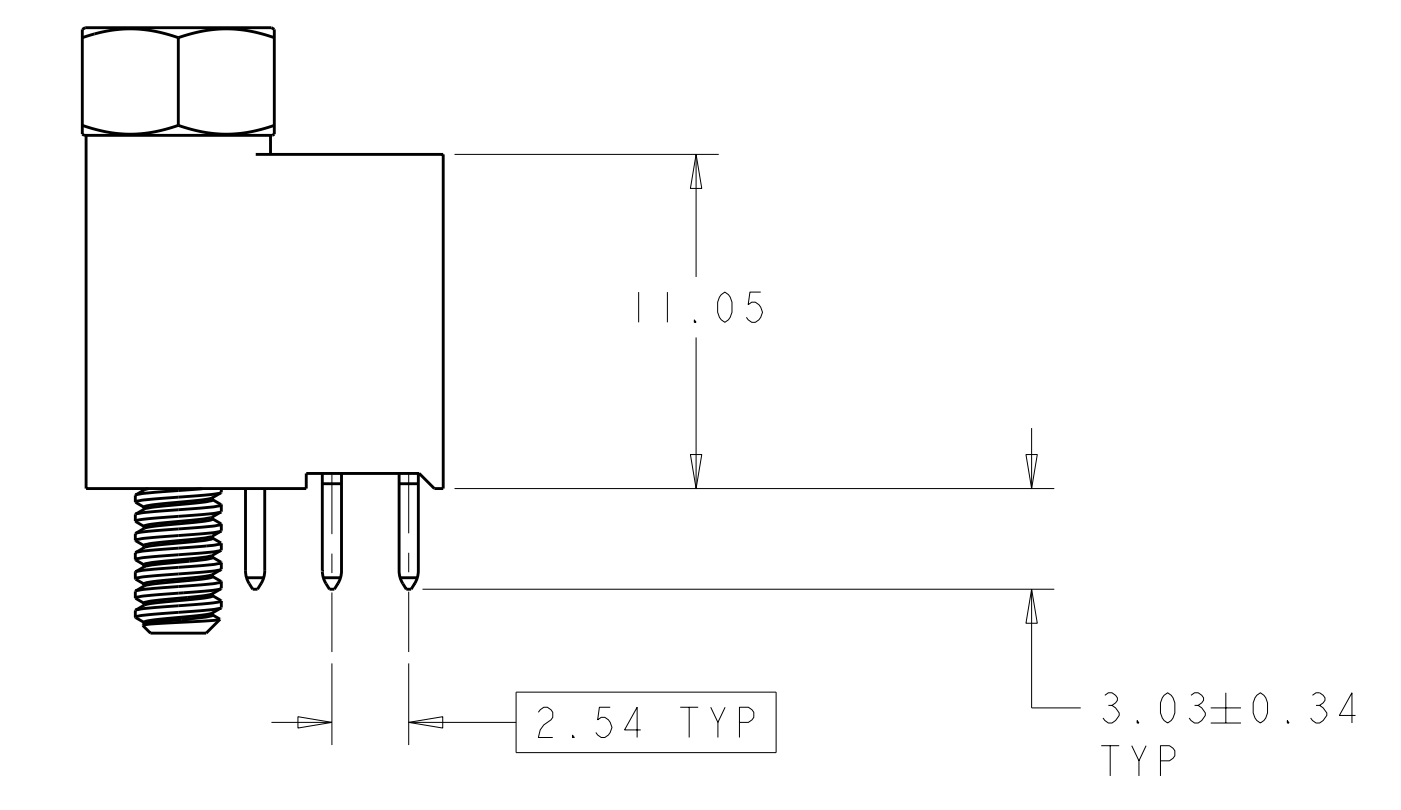
Address: A1208, Overseas Decoration Building, #122 Zhenhua RD., Futian, Shenzhen, China



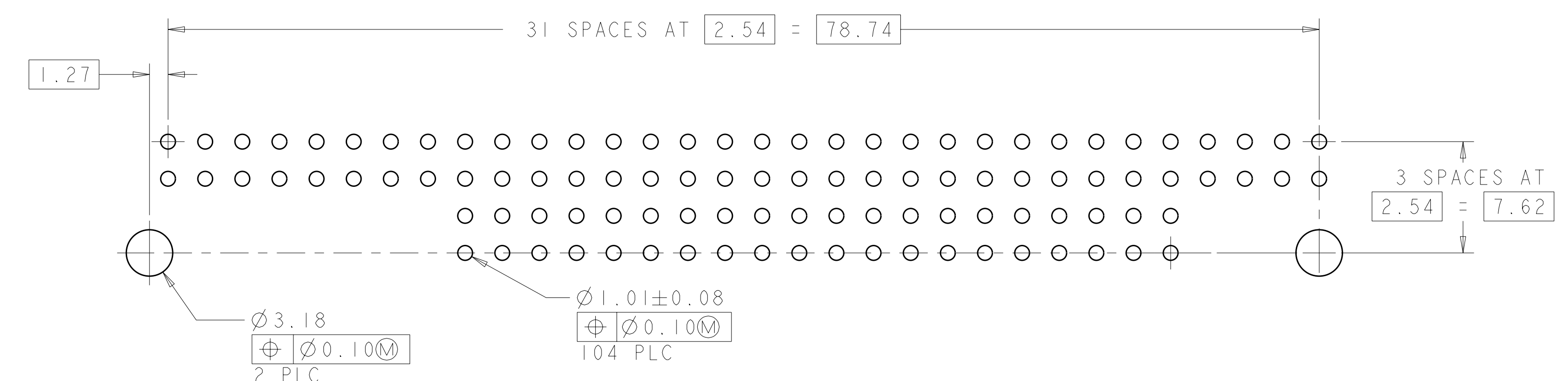
LOC	DIST	REVISIONS					
AD	00	P	LTR	DESCRIPTION	DATE	DWN	APVD
		D		063C-0184-05	31AUG2005	RB	JO
		D1		REVISED PER ECO-09-025699	23NOV2009	WK	AEQ



- △ HOUSING: HIGH TEMPERATURE, GLASS FILLED NYLON, COLOR- BLACK.
CONTACTS: PHOSPHOR BRONZE.
SCREWLOCKS: STEEL.
- △ CONTACTS: 0.000381 MIN GOLD ON MATING RECEPTACLE END,
0.00254 BRIGHT TIN-LEAD ON REMAINDER, ALL OVER
0.001270 NICKEL.
SCREWLOCKS: CLEAR CHROMATE OVER ZINC.
- △ NO CONTACT IN THIS POSITION, FOR PART NUMBER 1375961-1 & -3 ONLY.
- △ CONTACTS: 0.000381 MIN GOLD ON MATING RECEPTACLE END,
0.00254-0.00508 MATTE TIN ON REMAINDER,
ALL OVER 0.001270 NICKEL.
SCREWLOCKS: CLEAR CHROMATE OVER ZINC.
- △ ROHS 2002/95/EC COMPLIANT PART TO BE USED WITH
ROHS 2002/95/EC COMPLIANT PCB'S.
- △ OBSOLETE PARTS: OBSOLETE CIS STREAMLINING PER D.RENAUD/D.SINISI



RECOMMENDED PCB LAYOUT
FOR 1375961-1 & -3



RECOMMENDED PCB LAYOUT
FOR 1375961-2 & -4

OBSOLETE	FINISH	KEYED CIRCUITS	PART NO
△ 4	△ 4	NO	1375961-4
△ 4	△ 2	YES	1375961-3
△ 2	△ 2	NO	1375961-2
△ 2	△ 2	YES	1375961-1

DIMENSIONS: mm 		TOLERANCES UNLESS OTHERWISE SPECIFIED: 9 PLC ± 1 PLC ±0.13 5 PLC ± 4 PLC ± ANGLES ±		DWN: W.G. LENKER 02JUN2000 CHK: L.BREKOSKY 15JAN2001 APVD:		Tyco Electronics Corporation Harrisburg, PA 17105-3608	
MATERIAL: △		FINISH: △ 4 △ 2		PRODUCT SPEC: 108-1956 APPLICATION SPEC: 114-13021		NAME: ASSEMBLY, PC/104, NON-STACKTHROUGH CONTACTS, 2 STANDOFFS, SOLDER	
WEIGHT:		FINISH:		SIZE: CAGE CODE: DRAWING NO: 00779 C=1375961		RESTRICTED TO:	
CUSTOMER DRAWING				SCALE: 4:1		SHEET 1 OF 1 REV D1	