



Chipsmall Limited consists of a professional team with an average of over 10 year of expertise in the distribution of electronic components. Based in Hongkong, we have already established firm and mutual-benefit business relationships with customers from,Europe,America and south Asia,supplying obsolete and hard-to-find components to meet their specific needs.

With the principle of “Quality Parts,Customers Priority,Honest Operation,and Considerate Service”,our business mainly focus on the distribution of electronic components. Line cards we deal with include Microchip,ALPS,ROHM,Xilinx,Pulse,ON,Everlight and Freescale. Main products comprise IC,Modules,Potentiometer,IC Socket,Relay,Connector.Our parts cover such applications as commercial,industrial, and automotives areas.

We are looking forward to setting up business relationship with you and hope to provide you with the best service and solution. Let us make a better world for our industry!



Contact us

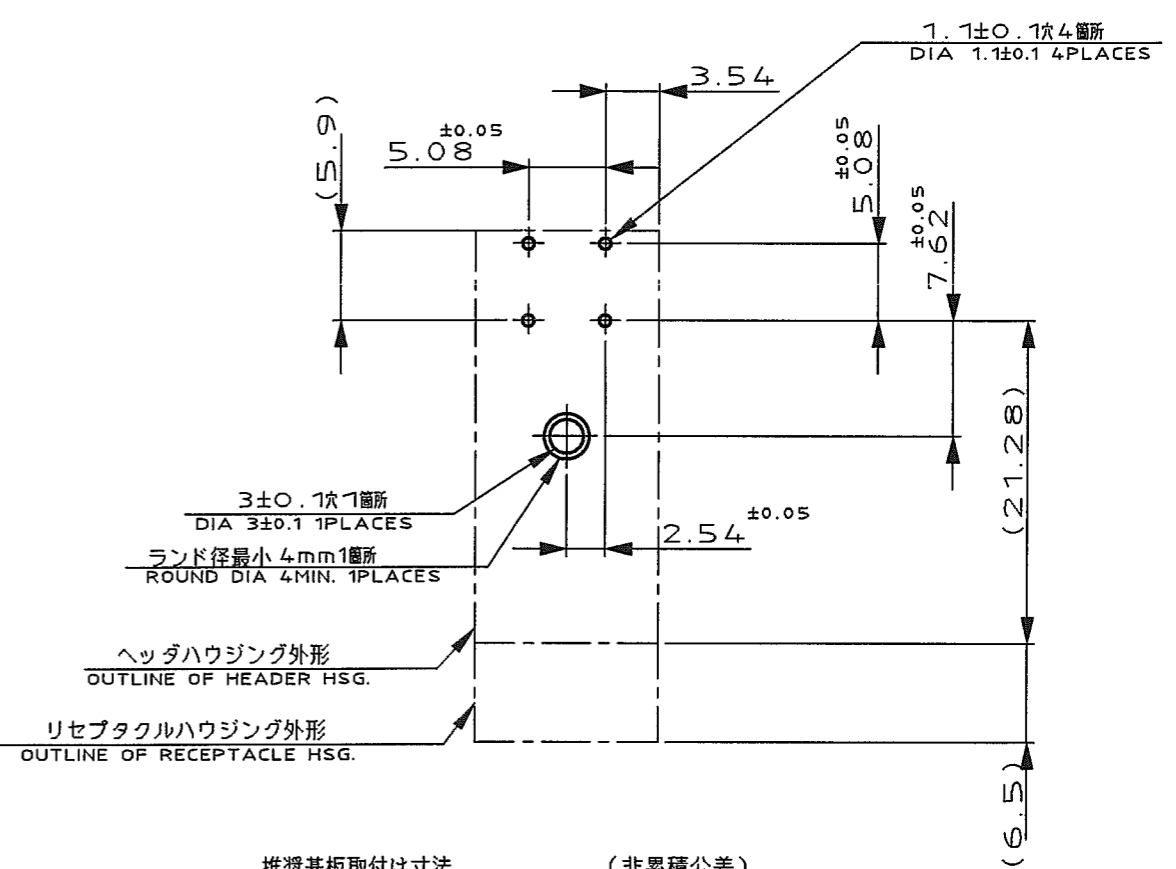
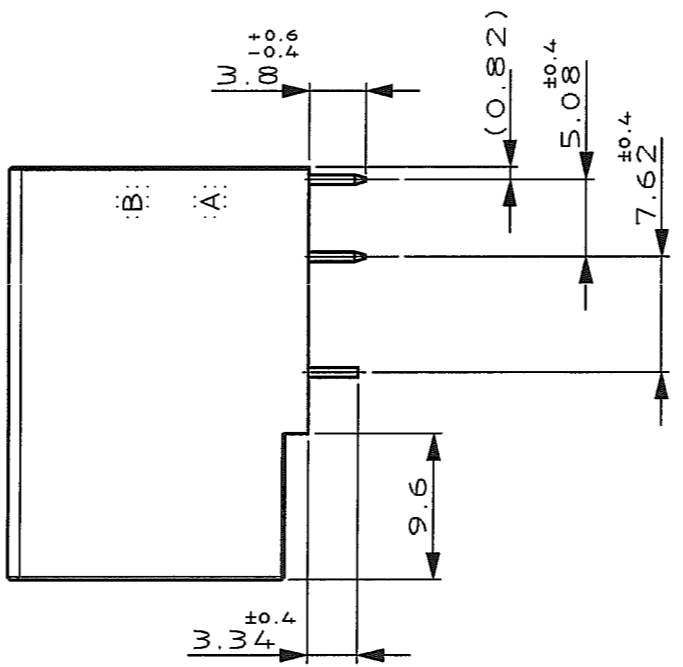
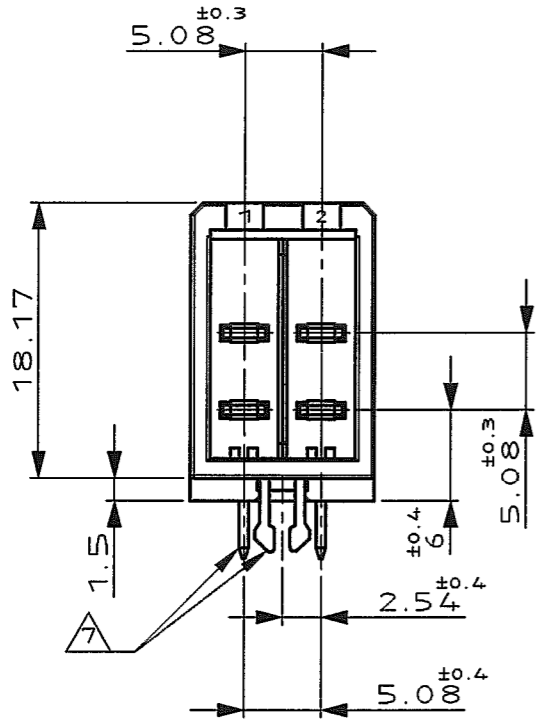
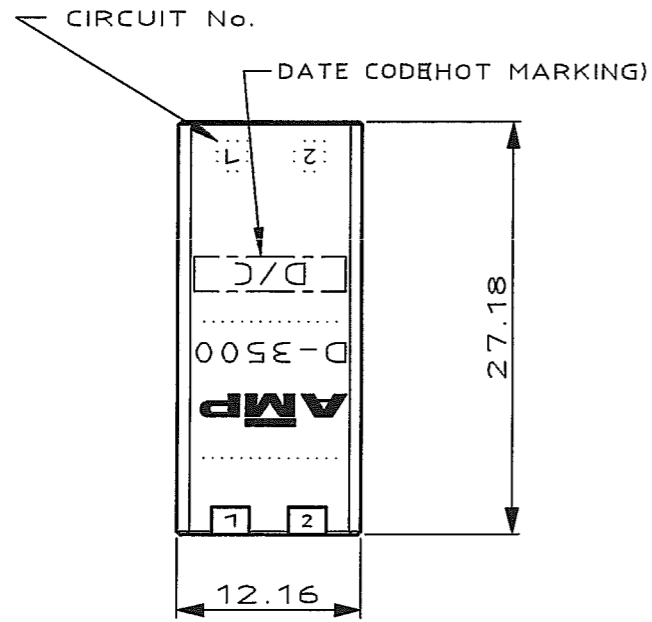
Tel: +86-755-8981 8866 Fax: +86-755-8427 6832

Email & Skype: info@chipsmall.com Web: www.chipsmall.com

Address: A1208, Overseas Decoration Building, #122 Zhenhua RD., Futian, Shenzhen, China



NUMBER 1376133
 METRIC
 三脚式(3rd ANGLE PROJECTION)



推奨基板取付け寸法 (非累積公差)
 RECOMMEND PC BOARD HOLE (NOT ACCUMULATE TOLERANCE)
 PC BOARD THICKNESS; 1.6±0.1
 基板厚; 1.6±0.1

注記

- 1 材料; 熱可塑性ポリエステル樹脂(ガラス入り)
色; 黒
- 2 製品規格; 108-5346
- 3 製品認定報告書; 501-5013
- △ 接触部仕上; ニッケル下地0.38μMIN. 金メッキ
- △ 接触部仕上; ニッケル下地0.76μMIN. 金メッキ
- △ 接触部仕上; ニッケル下地 2μMIN. スズメッキ
- △ レグおよび脚部仕上; ニッケル下地スズメッキ

NOTES

- 1 MATERIAL; GLASS FIELD THERMO PLASTIC, POLYESTER.
COLOR; BLACK
- 2 PRODUCT SPEC; 108-5349
- 3 QUALIFICATION TEST REPORT; 501-5013
- △ FINISH (CONTACT AREA); 0.38μMIN. GOLD PLT. OVER NICKEL.
- △ FINISH (CONTACT AREA); 0.76μMIN. GOLD PLT. OVER NICKEL.
- △ FINISH (CONTACT); 2μMIN. TIN PLT. OVER NICKEL.
- △ FINISH (RETENTION LEG AND CONTACT TAIL); TIN PLT. OVER NICKEL.

△ 4 △ 7	1376133-2
FINISH	型番 PART NUMBER

REVISED	FJD0-0039-03	TS	SM	3/8 '00
RELEASED	FJ00-2107-99	M.H	SM	3/8 '00
LTR	変更 (REVISION RECORD)	DR	CHK	DATE

Copyright ©2000 年	Copyright ©2000 AMP (Japan). LTD. ALL RIGHTS RESERVED.
適合電線範囲(WIRE RANGE) mm?(AWG -)	被覆外径(INSULATION DIA.) mmφ
材料(MATERIAL) (SEE NOTE) 注記参照	仕上(FINISH)
DR. M.HIGO 8/MAR/'00	DE. M.HIGO 8/MAR/'00
CHK. S. MANABE 3 MAR 00	APP. S. MANABE 3 MAR 00

tyco Electronics		Tyco Electronics AMP K.K. Kawasaki, Japan	
名称(NAME) DYNAMIC(D-3500) 4 POS. HDR. ASS'Y			
一般公差 (GENERAL TOLERANCE)	LOC	番号(No.)	
10mmF : ±0.2 10mm以下 : ±0.25 30mm以下 : ±0.3 角 度 : ±3'	A3	J	C-1376133
尺度(SCALE)	REV.	SHEET	
2-1	A	1 OF 1	

PRINT DIST

AMP-J
REV.10/'83