



Chipsmall Limited consists of a professional team with an average of over 10 year of expertise in the distribution of electronic components. Based in Hongkong, we have already established firm and mutual-benefit business relationships with customers from,Europe,America and south Asia,supplying obsolete and hard-to-find components to meet their specific needs.

With the principle of “Quality Parts,Customers Priority,Honest Operation,and Considerate Service”,our business mainly focus on the distribution of electronic components. Line cards we deal with include Microchip,ALPS,ROHM,Xilinx,Pulse,ON,Everlight and Freescale. Main products comprise IC,Modules,Potentiometer,IC Socket,Relay,Connector.Our parts cover such applications as commercial,industrial, and automotives areas.

We are looking forward to setting up business relationship with you and hope to provide you with the best service and solution. Let us make a better world for our industry!



Contact us

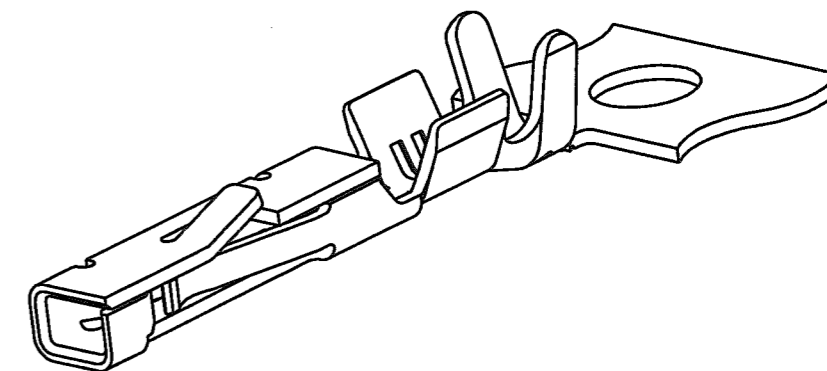
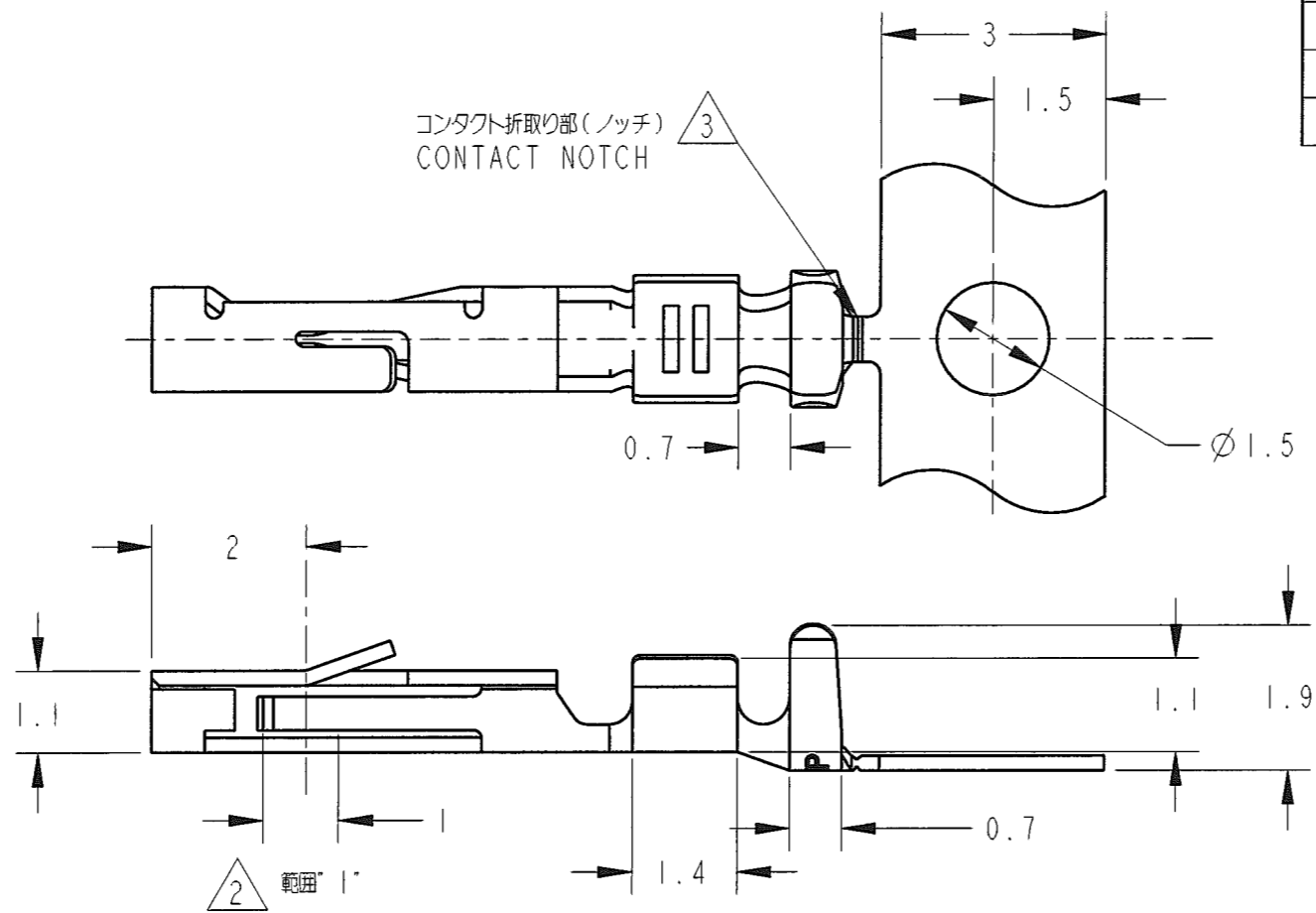
Tel: +86-755-8981 8866 Fax: +86-755-8427 6832

Email & Skype: info@chipsmall.com Web: www.chipsmall.com

Address: A1208, Overseas Decoration Building, #122 Zhenhua RD., Futian, Shenzhen, China



LOC	DIST	REVISIONS						
		P	LTR	DESCRIPTION	DATE	DWN	APVD	
J	-	0		RELEASED	FJ00-1712-01	28AUG2000	T.K	K.I
		A		REVISED	FJ00-0119-03	21JAN2003	K.I	T.K



- 1 材料:りん青銅、板厚0.2mm
- 2 仕上げ
全面1.27μm以上のNiめっきの上に
範囲"1" (接点部)に0.76μm以上のAuめっきを施す。
- 3 ノッチ付き端子製品型番:1376260-1 (ハンドツール用)
ノッチなし端子製品型番:1376260-2,-6 (アプリケーション用)
- 4. 供給形態:リールにて供給、15000EA/リール
- 5 仕上げ
全面1.27μm以上のNiめっきの上に
範囲"1" (接点部)に0.38μm以上のAuめっきを施す。

- 1 MATERIAL PHOS-BRONZ, 0.2mm THK
FINISH
UNDERCOATING:1.27μm MIN. NICKEL ALL OVER
- 2 ZONE "1":0.76μm MIN. GOLD
CONTACT P/N WITH NOTCH:1376260-1
(FOR HAND TOOL)
- 3 STRIP TERMINAL P/N :1376260-2,-6
(W/O NOTCH, FOR APPLICATOR)
- 4. SUPPLY BY REEL.15000EA/REEL
- 5 FINISH
UNDERCOATING:1.27μm MIN. NICKEL ALL OVER
ZONE "1":0.38μm MIN. GOLD

DIMENSIONS: 単位: 概 mm		TOLERANCES UNLESS OTHERWISE SPECIFIED:	
		0-PLC	±0.2
		1-PLC	±-
		2-PLC	±-
		3-PLC	±-
		4-PLC	±-
		ANGLES	±3°
MATERIAL 材料	1	FINISH 仕上	2 5

DWN	28AUG2000
CHK	T. KATANO
APVD	28AUG2000
PRODUCT SPEC	K. IKEGAMI
APPLICATION SPEC	108-5689
WEIGHT	114-5283
CUSTOMER DRAWING	

FOR APPLICATOR	SEE NOTE 5	1376260-6
FOR APPLICATOR	SEE NOTE 2	1376260-2
FOR HAND TOOL		1376260-1
DESCRIPTION	FINISH	P/N
WIRE RANGE 絶縁電線断面積	AWG#26~#30	INSULATION DIA 絶縁外径
		φ0.70~φ0.98
Tyco Electronics AMP K.K. Kawasaki, Japan		
NAME 名称		
RECEPTACLE CONTACT AMP MCC CONN		
SIZE	CAGE CODE	DRAWING NO
A3	00779	1376260
RESTRICTED TO		-
SCALE 尺度	10:1	SHEET OF
		REV A