



Chipsmall Limited consists of a professional team with an average of over 10 year of expertise in the distribution of electronic components. Based in Hongkong, we have already established firm and mutual-benefit business relationships with customers from,Europe,America and south Asia,supplying obsolete and hard-to-find components to meet their specific needs.

With the principle of “Quality Parts,Customers Priority,Honest Operation,and Considerate Service”,our business mainly focus on the distribution of electronic components. Line cards we deal with include Microchip,ALPS,ROHM,Xilinx,Pulse,ON,Everlight and Freescale. Main products comprise IC,Modules,Potentiometer,IC Socket,Relay,Connector.Our parts cover such applications as commercial,industrial, and automotives areas.

We are looking forward to setting up business relationship with you and hope to provide you with the best service and solution. Let us make a better world for our industry!



## Contact us

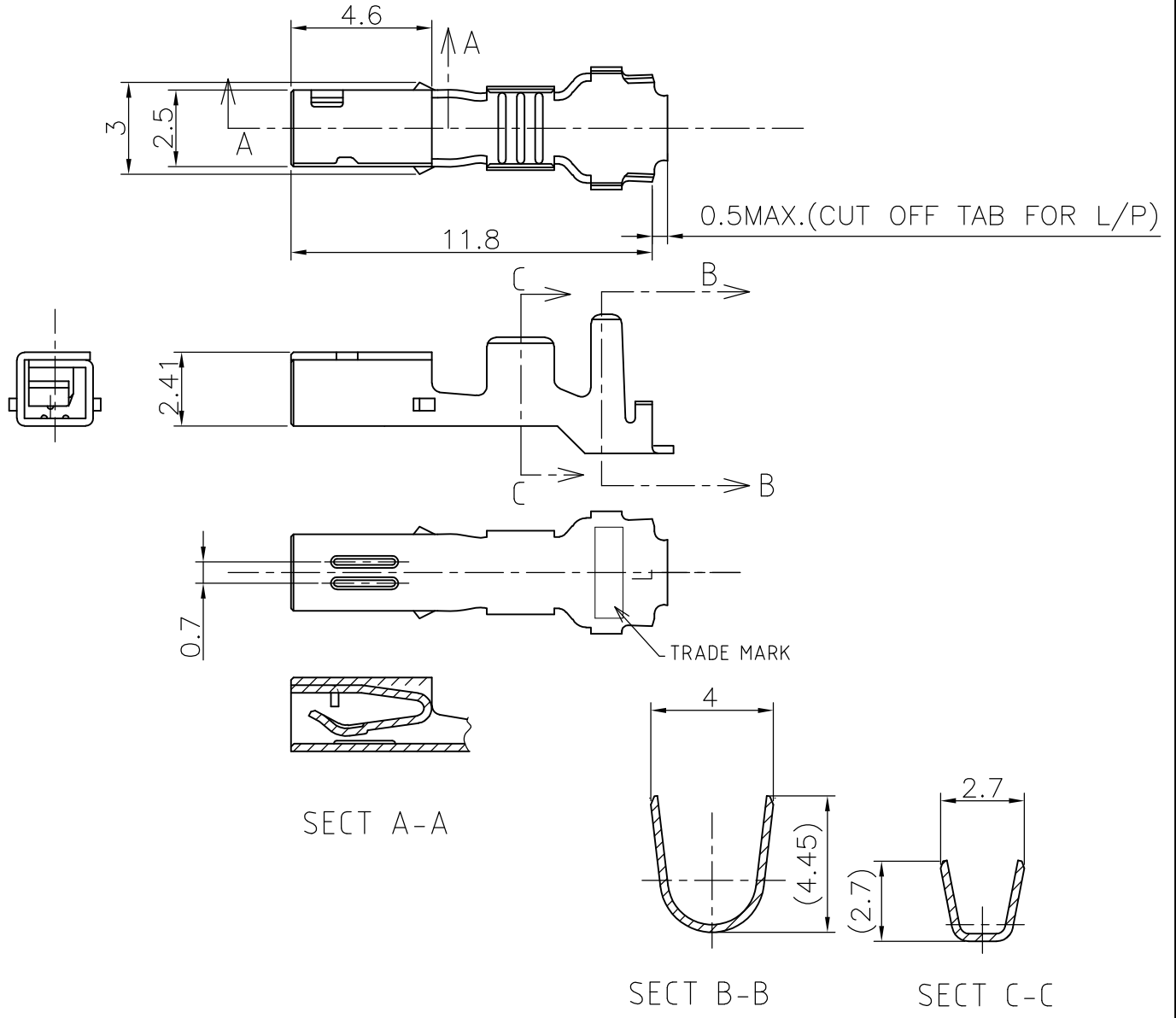
Tel: +86-755-8981 8866 Fax: +86-755-8427 6832

Email & Skype: info@chipsmall.com Web: www.chipsmall.com

Address: A1208, Overseas Decoration Building, #122 Zhenhua RD., Futian, Shenzhen, China



LOC J	DIST —	REVISIONS 変更					
		P	LTR	DESCRIPTION	DATE	DWN	APVD
			B1	REVISED PER ECO-11-005030	11MAR11	RK	HMR



THIS DRAWING IS UNPUBLISHED. ALL RIGHTS RESERVED. RELEASED FOR PUBLICATION BY —

AWG#20-#16 (0.5-1.25mm sq)		INSULATION DIA 2.0-3.1		1376347-1	
DWN A.OISHI 31AUG'00		MATERIAL 材料 PRE-TIN COPPER ALLOY		FINISH 仕上 —	
CHK Y.KASHIWA 31AUG'00		TE Connectivity			
APVD Y.KASHIWA 31AUG'00					
PRODUCT SPEC 製品規格 108-5699		NAME 名称 5.0 POWER KEY CONNECTOR REC CONTACT (L)			
APPLICATION SPEC 取付適用規格 114-5292		SIZE A4	CAGE CODE 00779	DRAWING NO 番号 1376347	RESTRICTED TO —
WEIGHT —		SCALE 尺度 10:1		SHEET 1 OF 1	REV B1
CUSTOMER DRAWING					

DIMENSIONS: 単位: 耗 mm	
TOLERANCES UNLESS OTHERWISE SPECIFIED: 一般公差	
0 PLC	± 0.25
1 PLC	±
2 PLC	±
3 PLC	±
4 PLC	±
ANGLES	± 2°