



Chipsmall Limited consists of a professional team with an average of over 10 year of expertise in the distribution of electronic components. Based in Hongkong, we have already established firm and mutual-benefit business relationships with customers from,Europe,America and south Asia,supplying obsolete and hard-to-find components to meet their specific needs.

With the principle of “Quality Parts,Customers Priority,Honest Operation,and Considerate Service”,our business mainly focus on the distribution of electronic components. Line cards we deal with include Microchip,ALPS,ROHM,Xilinx,Pulse,ON,Everlight and Freescale. Main products comprise IC,Modules,Potentiometer,IC Socket,Relay,Connector.Our parts cover such applications as commercial,industrial, and automotives areas.

We are looking forward to setting up business relationship with you and hope to provide you with the best service and solution. Let us make a better world for our industry!



Contact us

Tel: +86-755-8981 8866 Fax: +86-755-8427 6832

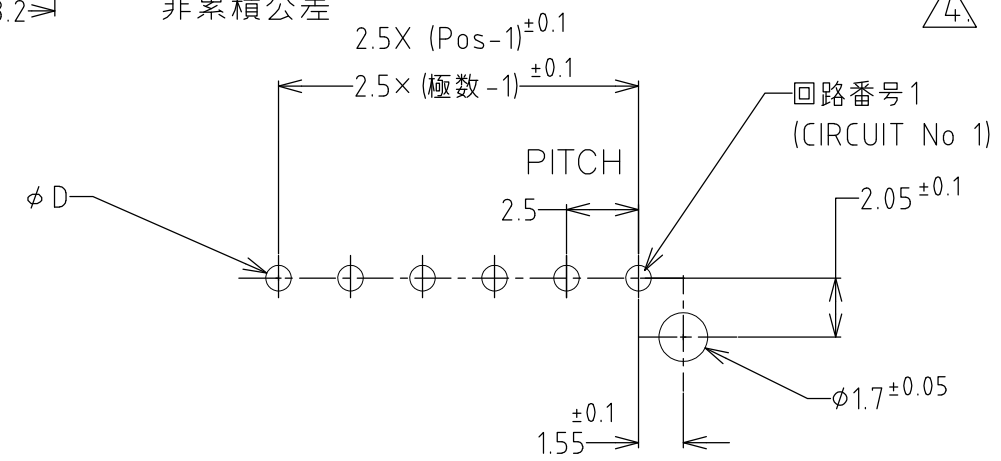
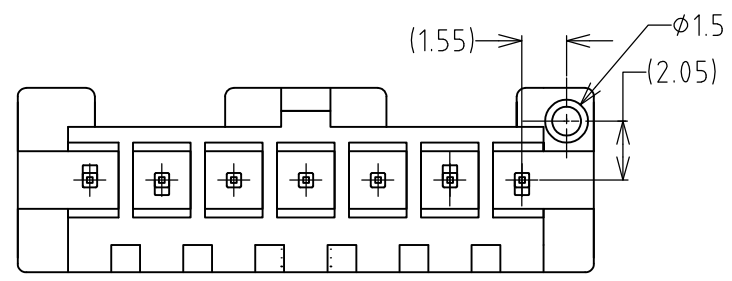
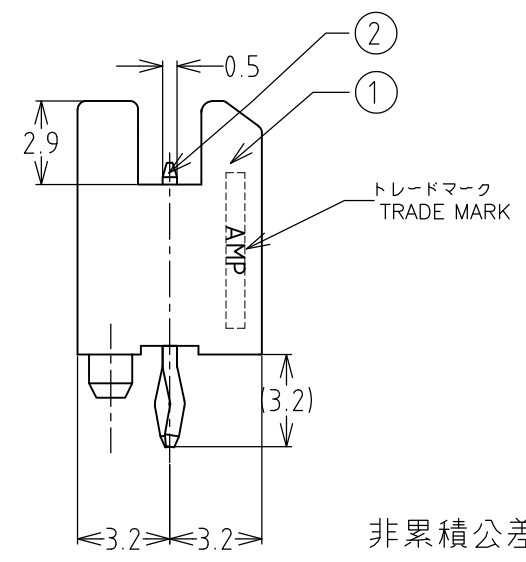
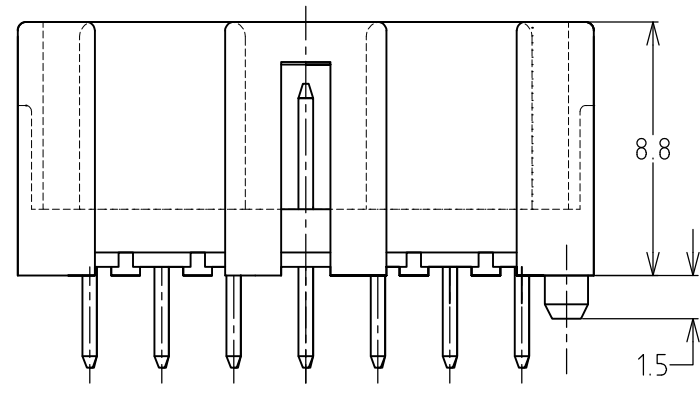
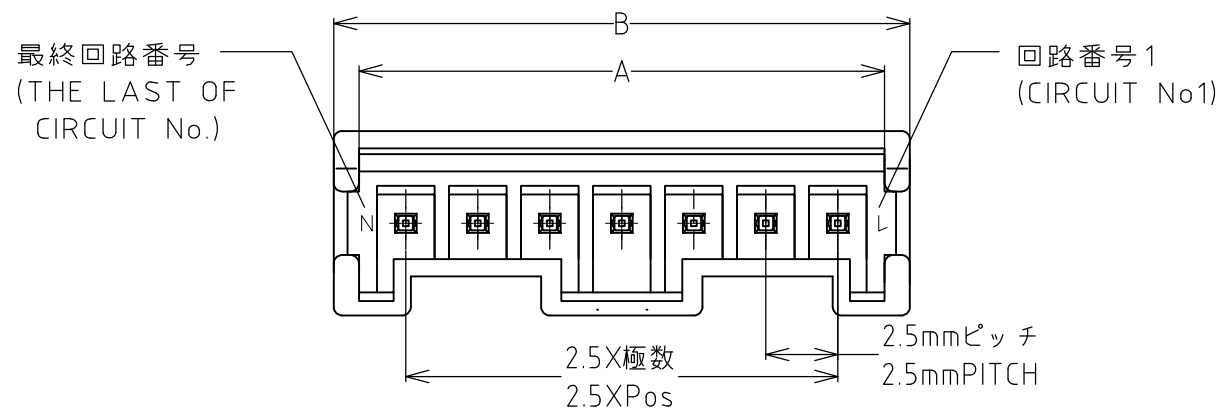
Email & Skype: info@chipsmall.com Web: www.chipsmall.com

Address: A1208, Overseas Decoration Building, #122 Zhenhua RD., Futian, Shenzhen, China



THIS DRAWING IS UNPUBLISHED. RELEASED FOR PUBLICATION
 © COPYRIGHT BY TYCO ELECTRONICS CORPORATION. ALL RIGHTS RESERVED.

LOC	DIST	REVISIONS					
J	—	P	LTR	DESCRIPTION	DATE	DWN	APVD
			E	RELEASED FJ00-1013-00	20SEP01	N.Y	M.S
			A	変更 (REVISED) FJ00-1347-01	03SEP01	N.Y	M.S
			B	変更 (REVISED) FJ00-1394-02	08JUL02	N.Y	M.S
			C	変更 (REVISED) FJ00-0163-03	01MAR03	N.Y	M.S
			D	変更 (REVISED) FJD0-0104-03	16APR03	N.Y	M.S
			E	変更 (REVISED) FJD0-0292-04	16AUG04	A.H	N.Y
			E1	変更 (REVISED) ECR-14-012507	01DEC14	W.W	D.Z




- 注記；
- 適用基板厚；1.6t
 - 嵌合相手製品型番
プラグハウジング；1376477
 - 適用基板穴寸法；FIG.1参照
 - 適用基板穴径；
パンチ加工穴；0.7
ドリル加工穴；0.9±0.05

- NOTES;
- APPLICABLE P.C.B THK.;1.6t
 - MATING CONN. P/N
PLUG HOUSING:1376477
 - APPLICABLE P.C.B LAYOUT SEE FIG.1
 - APPLICABLE P.C.B HOLE DIA.
PUNCHED HOLE;0.7^{+0.1}₋₀
DRILLED HOLE;0.9±0.05

型番は、SHEET 2 OF 2 を参照
(P/N SEE SHEET 2 OF 2)

表1
TABLE 1

部品番号 PARTS NO	名称 PARTS NAME	材質、表面処理 MATERIAL & FINISH
①	ヘッダーハウジング HEADER HOUSING	66ナイロンガラス強化 (UL94V-0) 66 NYLON GLASS FILLED
②	ポストコンタクト POST CONTACT	錫めっき済黄銅 PRE TIN BRASS

THIS DRAWING IS A CONTROLLED DOCUMENT.		DWN N.YAMASAKI 3 SEP '01	 TE Connectivity	
DIMENSIONS: 単位：mm INCHES		CHK M.SHINDO 3 SEP '01		
TOLERANCES UNLESS OTHERWISE SPECIFIED: 一般公差		APVD Y.KASHIWA 3 SEP '01	NAME 名称 2.5mmPITCH	
10> ±0.2		PRODUCT SPEC 製品規格 108-5703	シグナルメイト コネクタ ヘッダーアッセンブリ (V-TYPE)	
30> ≥10:±0.25		APPLICATION SPEC 取付適用規格 114-5286	2.5mmPITCH SIGNAL MATE CONN HEADER ASSY (V-TYPE)	
100> ≥30:±0.3		WEIGHT	SIZE A3	CAGE CODE 00779
ANGLE :±3°		FINISH 仕上 SEE TABLE 1	DRAWING NO 番号 C-1376478	
MATERIAL 材料 SEE TABLE 1		CUSTOMER DRAWING		RESTRICTED TO —
SCALE 尺度 —		SHEET 1 OF 2		REV E1

LOC J	DIST —	REVISIONS ??				
P	LTR	DESCRIPTION	DATE	DWN	APVD	
	—	SEE SHEET 1	—	—	—	

RELEASED FOR PUBLICATION

ALL RIGHTS RESERVED.

BY TYCO ELECTRONICS CORPORATION.

— COPYRIGHT —

(E1) obsolete

(E1) obsolete

回路番号6のピン抜き仕様	7	20.0	18.25	NATURAL	6	1565044-6
	6	17.5	15.75	BLUE	5	2-1565044-5
回路番号2のピン抜き仕様	6	17.5	15.75	NATURAL	5	1565044-5
回路番号2のピン抜き仕様 5mm ピッチ	3	10.0	8.25	NATURAL	2	1376497-2
	7	20.0	18.25	RED	7	1-1376478-7
	7	20.0	18.25	NATURAL	7	1376478-7
	6	17.5	15.75	BLUE	6	2-1376478-6
	6	17.5	15.75	RED	6	1-1376478-6
	6	17.5	15.75	NATURAL	6	1376478-6
	5	15.0	13.25	RED	5	1-1376478-5
	5	15.0	13.25	NATURAL	5	1376478-5
	4	12.5	10.75	BLUE	4	2-1376478-4
	4	12.5	10.75	NATURAL	4	1376478-4
	3	10.0	8.25	RED	3	1-1376478-3
	3	10.0	8.25	NATURAL	3	1376478-3
	2	7.5	5.75	BLUE	2	2-1376478-2
	2	7.5	5.75	RED	2	1-1376478-2
	2	7.5	5.75	NATURAL	2	1376478-2
備考	ハウジング 極数	B	A	色	極数	型番
		寸法				

DIMENSIONS:
??? ?
MM

DWN
—

MATERIAL
??

FINISH
??

CHK
—



TE Connectivity

TOLERANCES UNLESS
OTHERWISE SPECIFIED:
????

APVD
—

PRODUCT SPEC
????

NAME
2.5mmPITCH SIGNAL MATE CONN HEADER ASSY (V-TYPE)

2.5mmピッチシグナルメイトコネクタヘッダーアッセンブリ (V-TYPE)

APPLICATION SPEC
??????

SIZE CAGE CODE DRAWING NO

RESTRICTED TO

WEIGHT
—

A4 00779 C-1376478

CUSTOMER DRAWING

SCALE
?? 1:1

SHEET 2 OF 2

REV E1

