



Chipsmall Limited consists of a professional team with an average of over 10 year of expertise in the distribution of electronic components. Based in Hongkong, we have already established firm and mutual-benefit business relationships with customers from,Europe,America and south Asia,supplying obsolete and hard-to-find components to meet their specific needs.

With the principle of “Quality Parts,Customers Priority,Honest Operation,and Considerate Service”,our business mainly focus on the distribution of electronic components. Line cards we deal with include Microchip,ALPS,ROHM,Xilinx,Pulse,ON,Everlight and Freescale. Main products comprise IC,Modules,Potentiometer,IC Socket,Relay,Connector.Our parts cover such applications as commercial,industrial, and automotives areas.

We are looking forward to setting up business relationship with you and hope to provide you with the best service and solution. Let us make a better world for our industry!



Contact us

Tel: +86-755-8981 8866 Fax: +86-755-8427 6832

Email & Skype: info@chipsmall.com Web: www.chipsmall.com

Address: A1208, Overseas Decoration Building, #122 Zhenhua RD., Futian, Shenzhen, China





Worldsemi

WS2811

Signal line 256 Gray level 3 channel
Constant current LED drive IC

Feature

- Output port compression 12V.
- Built in stabilivolt, Only add a resistance to IC VDD feet when under 24V power supply.
- Gray level 256 can be adjusted and scan frequency not less than 400Hz/s.
- Built in signal reshaping circuit, after wave reshaping to the next driver, ensure wave-form distortion not accumulate.
- Built-in electric reset circuit and power lost reset circuit.
- Cascading port transmission signal by single line.
- Any two point the distance more than 10m transmission signal without any increase circuit.
- When the refresh rate is 30fps, low speed mode cascade number are not less than 512 points, high speed mode not less than 1024 points.
- Send data at speeds of up to 400 Kbps and 800 Kbps two patterns.

Applications

- LED decorative lighting.
- Indoor/outdoor LED video or irregular screen.

General description

The WS2811 is 3 output channels special for LED driver circuit. It internal include intelligent digital port data latch and signal reshaping amplification drive circuit. Also include a precision internal oscillator and a 12V voltage programmable constant current output drive. In the purpose of reduce power supply ripple, the 3 output channels designed to delay turn-on function.

IC use single NZR communication mode. After the chip power-on reset, the DIN port received data from controller, the first IC collect initial 24bit data then sent to the internal data latch, the other data which reshaping by the internal signal reshaping amplification circuit sent to the next cascade IC through the DO port. After transmission for each chip, the signal to reduce 24bit. IC adopt auto reshaping transmit technology, making the chip cascade number is not limited the signal transmission, only depend on the speed of signal transmission.

The data latch of IC depend on the received 24bit data produce different duty ratio signal at OTR, OUTG, OUTB port. All chip synchronous send the received data to each segment when the DIN port input a reset signal. It will receive new data again After the reset signal finished. Before a new reset signal received, the control signal of OTR, OUTG, OUTB port unchanged. IC sent PWM data that received justly to OTR, OUTG, OUTB port, after receive a low voltage reset signal the time retain over 50us. We offer two package SOP8 and DIP8.

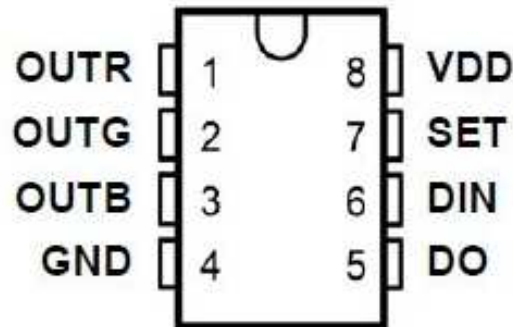


Worldsemi

WS2811

Signal line 256 Gray level 3 channel
Constant current LED drive IC

PIN configuration



PIN function

| NO. | Symbol | Function description |
|-----|--------|---------------------------------------------------------------------------------|
| 1 | OUTR | Output of Red PWM control |
| 2 | OUTG | Output of Green PWM control |
| 3 | OUTB | Output of Blue PWM control |
| 4 | GND | Ground |
| 5 | DOUT | Data signal cascade output |
| 6 | DIN | Data signal input |
| 7 | SET | Set work mode of IC as low speed model(connect VDD) or high speed model(vacant) |
| 8 | VDD | Power supply voltage |

Absolute Maximum Ratings

| Parameter | Symbol | Ratings | Unit |
|--------------------------------|-----------|--------------|------|
| Power supply voltage | V_{DD} | +6.0~+7.0 | V |
| Output voltage | V_{OUT} | 12 | V |
| Input voltage | V_I | -0.5~VDD+0.5 | V |
| Operation junction temperature | T_{opt} | -25~+85 | °C |
| Storage temperature range | T_{stg} | -55~+150 | °C |

Note: If the voltage on the pins exceeds the maximum ratings may cause permanent damage to the device.



Worldsemi

WS2811

Signal line 256 Gray level 3 channel
Constant current LED drive IC

Electrical Characteristics ($T_A=-20\sim+70^{\circ}\text{C}$, $V_{DD}=4.5\sim 5.5\text{V}$, $V_{SS}=0\text{V}$, unless otherwise specified)

| Parameter | Symbol | conditions | Min | Tpy | Max | Unit |
|----------------------------|------------|-------------------------------|-------------|------|--------------|---------------|
| Low voltage output current | I_{OL} | ROUT | — | 18.5 | — | mA |
| | I_{dout} | $V_o=0.4\text{V}$, D_{OUT} | 10 | — | — | mA |
| Input current | I_I | $V_I=V_{DD}/V_{SS}$ | — | — | ± 1 | μA |
| Input voltage level | V_{IH} | D_{IN} , SET | $0.7V_{DD}$ | — | — | V |
| | V_{IL} | D_{IN} , SET | — | — | $0.3 V_{DD}$ | V |
| Hysteresis voltage | V_H | D_{IN} , SET | — | 0.35 | — | V |

Switching characteristics ($T_A=-20\sim+70^{\circ}\text{C}$, $V_{DD}=4.5\sim 5.5\text{V}$, $V_{SS}=0\text{V}$, unless otherwise specified)

| Parameter | Symbol | Condition | Min | Tpy | Max | Unit |
|-------------------------|------------|------------------------------------------------------------------------|-----|-----|-----|---------------|
| Operation frequency | F_{osc1} | — | — | 400 | — | KHz |
| | F_{osc2} | — | — | 800 | — | KHz |
| Transmission delay time | t_{PLZ} | $CL=15\text{pF}$, $D_{IN}\rightarrow D_{OUT}$, $RL=10\text{K}\Omega$ | — | — | 300 | ns |
| Fall time | t_{THZ} | $CL=300\text{pF}$, $OUTR/OUTG/OUTB$ | — | — | 120 | μs |
| Data transmission rate | F_{MAX} | Duty ratio 50% | 400 | — | — | Kbps |
| Input capacity | C_I | — | — | — | 15 | pF |

Low Speed mode time

| | | | |
|-----|---------------------------|-----------------------|--------------------|
| T0H | 0 code, high voltage time | $0.5 \mu\text{s}$ | $\pm 150\text{ns}$ |
| T1H | 1 code, high voltage time | $1.2 \mu\text{s}$ | $\pm 150\text{ns}$ |
| T0L | 0 code, low voltage time | $2.0 \mu\text{s}$ | $\pm 150\text{ns}$ |
| T1L | 1 code, low voltage time | $1.3 \mu\text{s}$ | $\pm 150\text{ns}$ |
| RES | low voltage time | Above $50\mu\text{s}$ | |

Note: It is one half of the time when high speed mode(reset time unchanged)

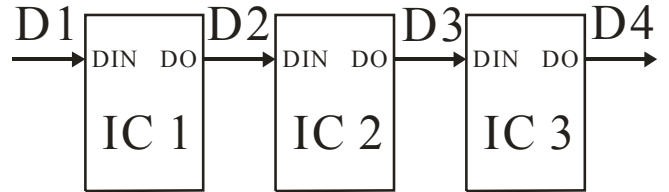
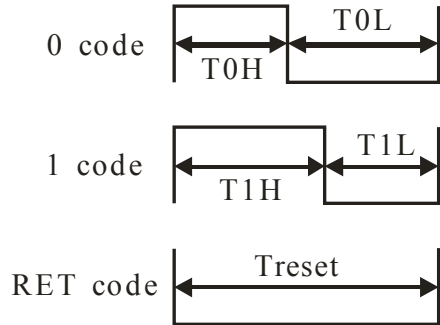


Worldsemi

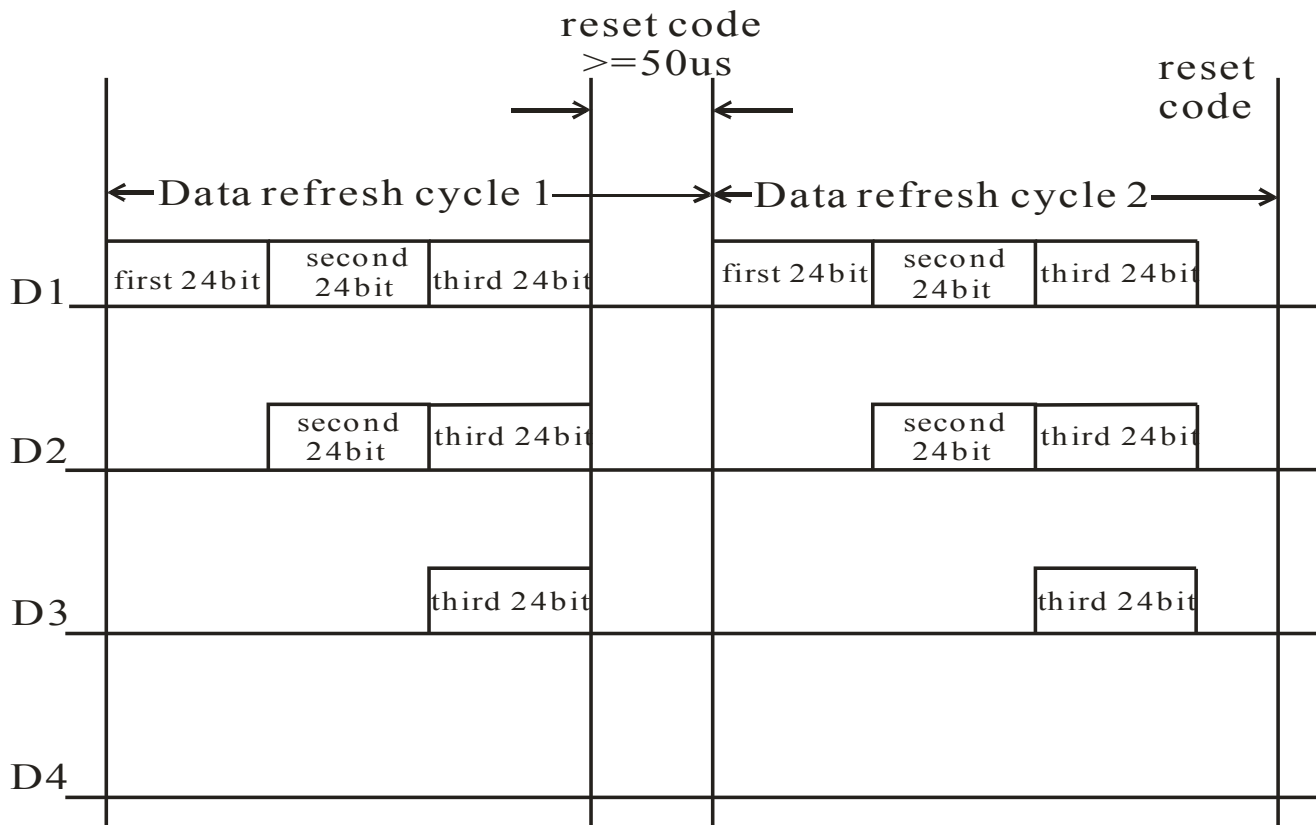
WS2811

Signal line 256 Gray level 3 channel
Constant current LED drive IC

Sequence chart:



Cascade method:



Data transmission method:

Note: The data of D1 is send by MCU,and D2, D3, D4 through IC internal reshaping amplification to transmit.

Composition of 24bit data:

| | | | | | | | | | | | | | | | | | | | | | |
|----|----|----|----|----|----|----|----|----|----|----|----|----|----|----|----|----|----|----|----|----|----|
| R7 | R6 | R5 | R4 | R3 | R2 | R1 | R0 | G7 | G6 | G5 | G4 | G3 | G2 | G1 | G0 | B7 | B6 | B5 | B4 | B3 | B2 |
|----|----|----|----|----|----|----|----|----|----|----|----|----|----|----|----|----|----|----|----|----|----|

Note: Follow the order of RGB to sent data and the high bit sent at first.



Worldsemi

WS2811

Signal line 256 Gray level 3 channel
Constant current LED drive IC

Typical application circuit:

1. power supply is 5V with 1 LED and constant current (18.5mA) driving

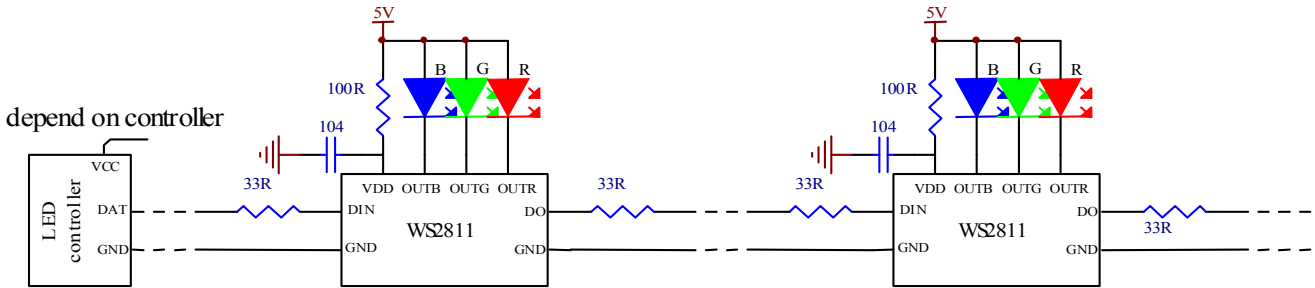


Fig 1

This driving mode use constant current output, the advantage of is the LED can retain luminance and colour temperature when the power supply lessen. We require, in order to prevent power spikes phenomenon and power reverse polarity, series a not more than 100ohm resistor at the po-wer supply pin(VDD). The capacitance 104 as bypass capacitor. To prevent the reflection and hot-swap protection, we suggest to connect a 33 ohm resistor at the data input or output port for impedance.

2. power supply is 12V with 3 LED and constant current(18.5mA) driving

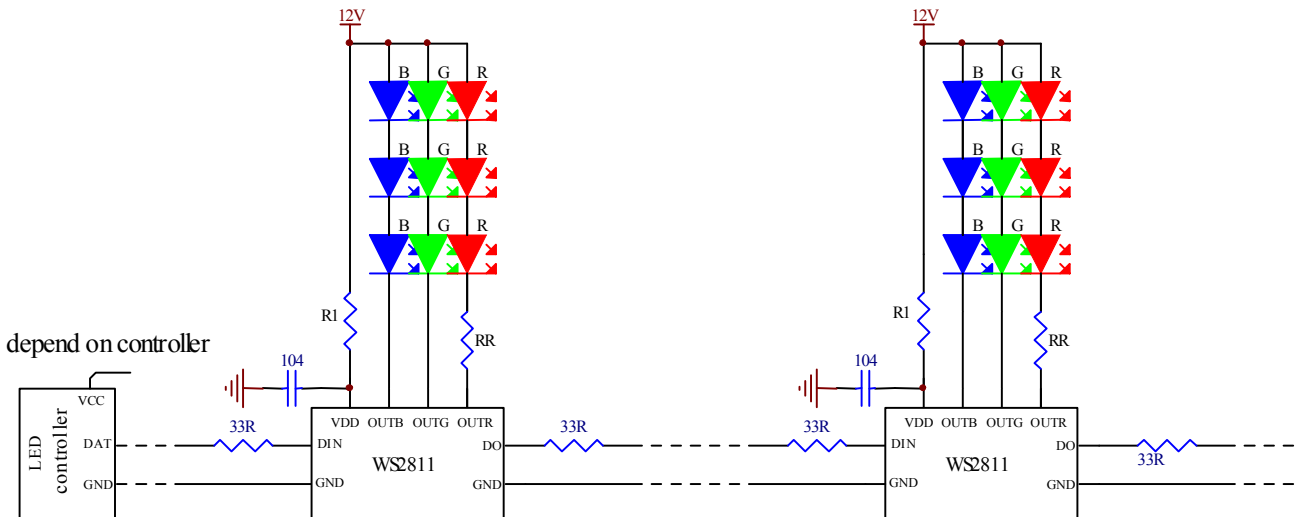


Fig 2

The same as the front mode, it is also use constant current output. In this circuit, R1 is used as the IC internal LDO divider resistance and the value is 2.7K. The capacitance 104 as bypass capacitor. To prevent the reflection and hot-swap protection, we suggest to connect a 33ohm resistor at the data input or output port for impedance. At the OUTR port we should add a divider resistance RR. The value of RR can be derived by the following equation:

$$RR = \frac{12 - 3V_{LEDR}}{18.5} K\Omega$$

V_{LEDR} is the red LED forward conduction voltage drop.



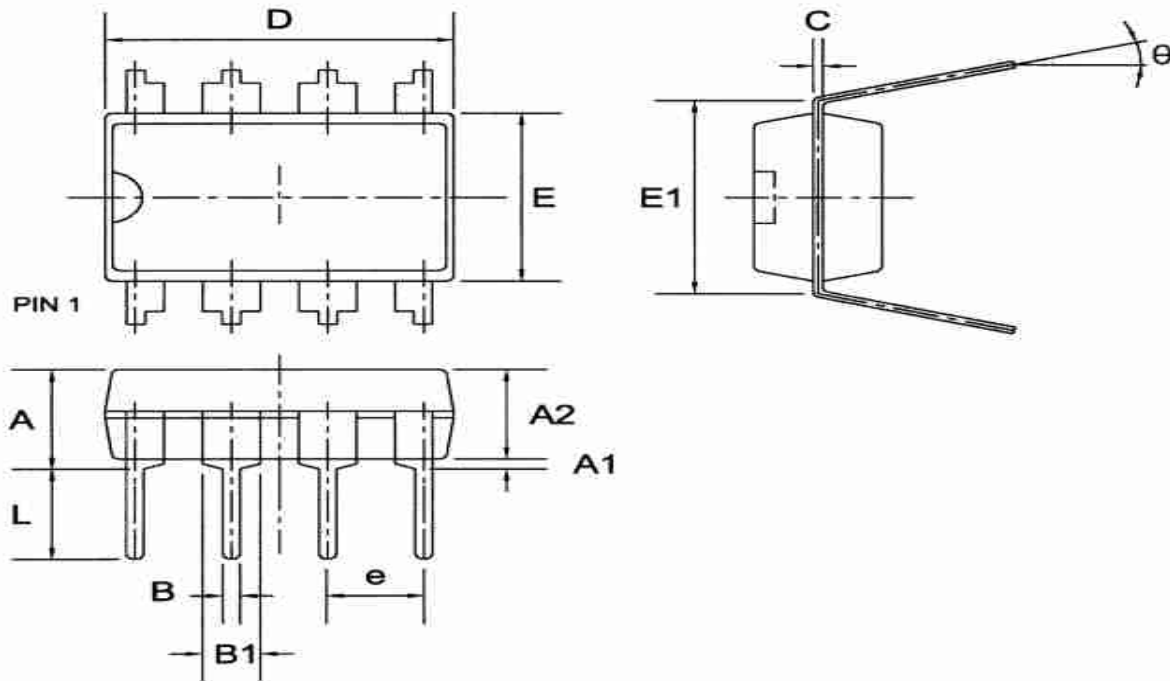
Worldsemi

WS2811

Signal line 256 Gray level 3 channel
Constant current LED drive IC

Package information:

DIP-8 Package:



| Symbol | Dimensions In Millimeters | | | Dimensions In Inches | | |
|--------|---------------------------|------|------|----------------------|-------|-------|
| | Min | Nom | Max | Min | Nom | Max |
| A | — | — | 4.31 | — | — | 0.170 |
| A1 | 0.38 | — | — | 0.015 | — | — |
| A2 | 3.15 | 3.40 | 3.65 | 0.124 | 0.134 | 0.144 |
| B | 0.38 | 0.46 | 0.51 | 0.015 | 0.018 | 0.020 |
| B1 | 1.27 | 1.52 | 1.77 | 0.050 | 0.060 | 0.070 |
| C | 0.20 | 0.25 | 0.30 | 0.008 | 0.010 | 0.012 |
| D | 8.95 | 9.20 | 9.45 | 0.352 | 0.362 | 0.372 |
| E | 6.15 | 6.45 | 6.65 | 0.242 | 0.252 | 0.262 |
| E1 | — | 7.62 | — | — | 0.300 | — |
| e | — | 2.54 | — | — | 0.1 | — |
| L | 3.00 | 3.30 | 3.60 | 0.118 | 0.130 | 0.142 |
| θ | 0° | — | 15° | 0° | — | 15° |

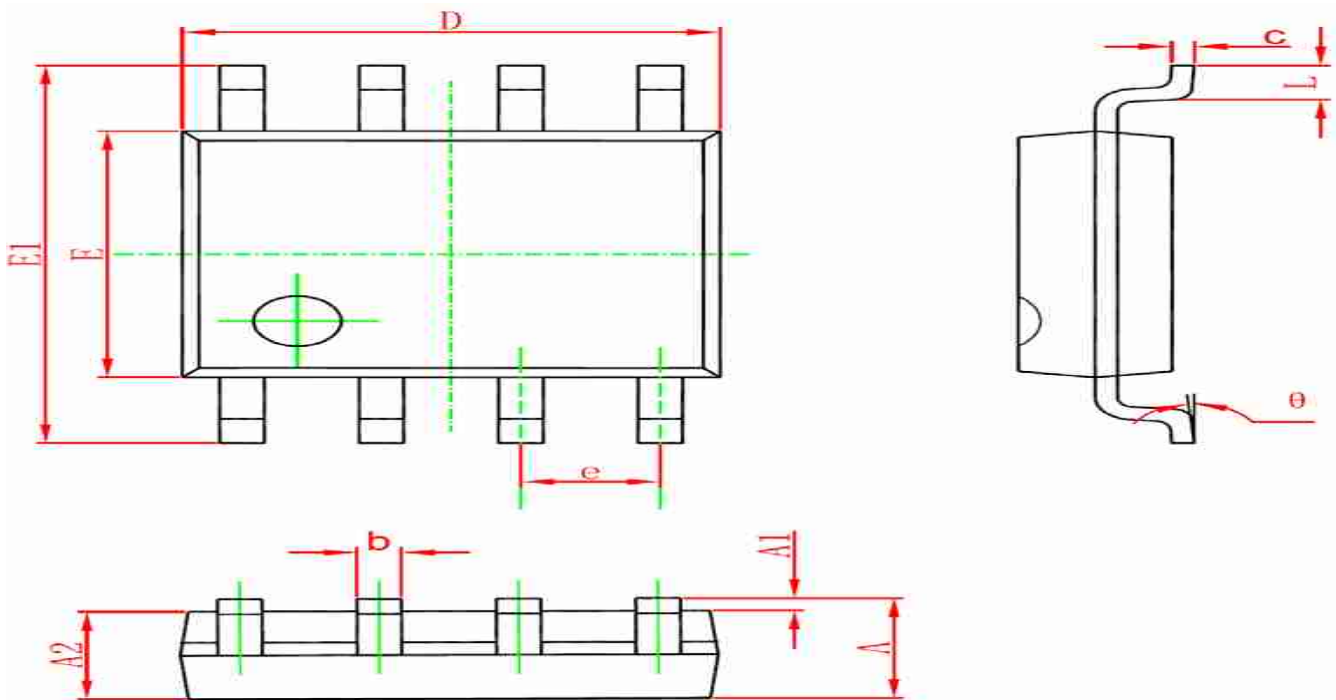


Worldsemi

WS2811

Signal line 256 Gray level 3 channel
Constant current LED drive IC

SOP-8 Package:



| Symbol | Dimensions In Millimeters | | Dimensions In Inches | |
|--------|---------------------------|-------|----------------------|-------|
| | Min | Max | Min | Max |
| A | 1.350 | 1.750 | 0.053 | 0.069 |
| A1 | 0.100 | 0.250 | 0.004 | 0.010 |
| A2 | 1.350 | 1.550 | 0.053 | 0.061 |
| b | 0.330 | 0.510 | 0.013 | 0.020 |
| c | 0.170 | 0.250 | 0.006 | 0.010 |
| D | 4.700 | 5.100 | 0.185 | 0.200 |
| E | 3.800 | 4.000 | 0.150 | 0.157 |
| E1 | 5.800 | 6.200 | 0.228 | 0.244 |
| e | 1.270 | | 0.050 | |
| L | 0.400 | 1.270 | 0.016 | 0.050 |
| θ | 0° | 8° | 0° | 8° |