



Chipsmall Limited consists of a professional team with an average of over 10 year of expertise in the distribution of electronic components. Based in Hongkong, we have already established firm and mutual-benefit business relationships with customers from,Europe,America and south Asia,supplying obsolete and hard-to-find components to meet their specific needs.

With the principle of “Quality Parts,Customers Priority,Honest Operation,and Considerate Service”,our business mainly focus on the distribution of electronic components. Line cards we deal with include Microchip,ALPS,ROHM,Xilinx,Pulse,ON,Everlight and Freescale. Main products comprise IC,Modules,Potentiometer,IC Socket,Relay,Connector.Our parts cover such applications as commercial,industrial, and automotives areas.

We are looking forward to setting up business relationship with you and hope to provide you with the best service and solution. Let us make a better world for our industry!



Contact us

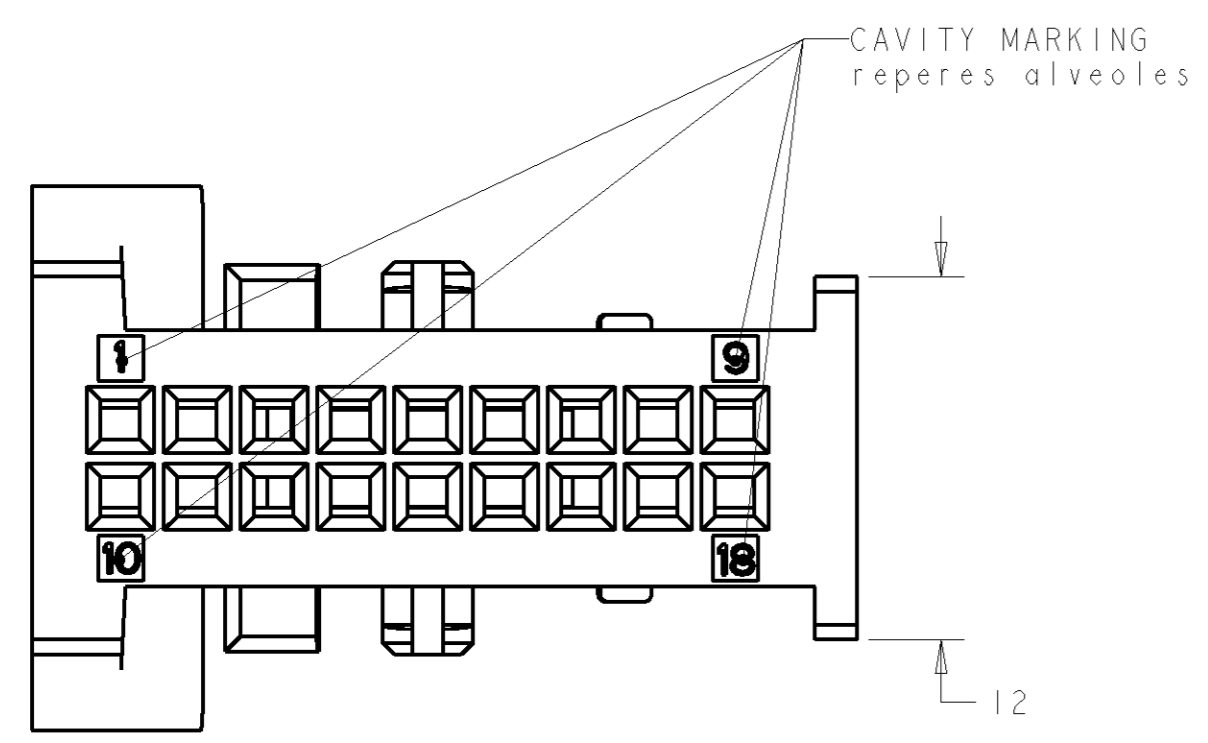
Tel: +86-755-8981 8866 Fax: +86-755-8427 6832

Email & Skype: info@chipsmall.com Web: www.chipsmall.com

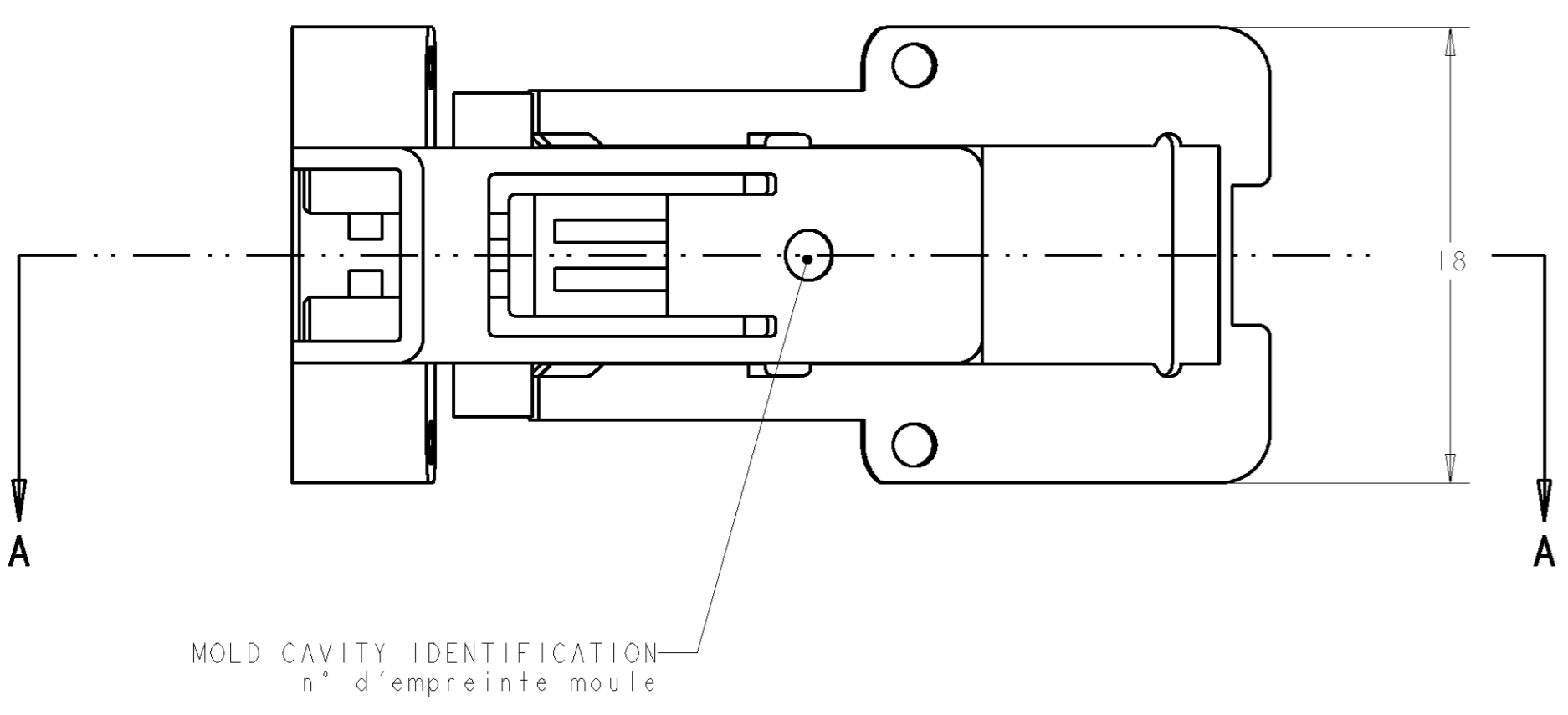
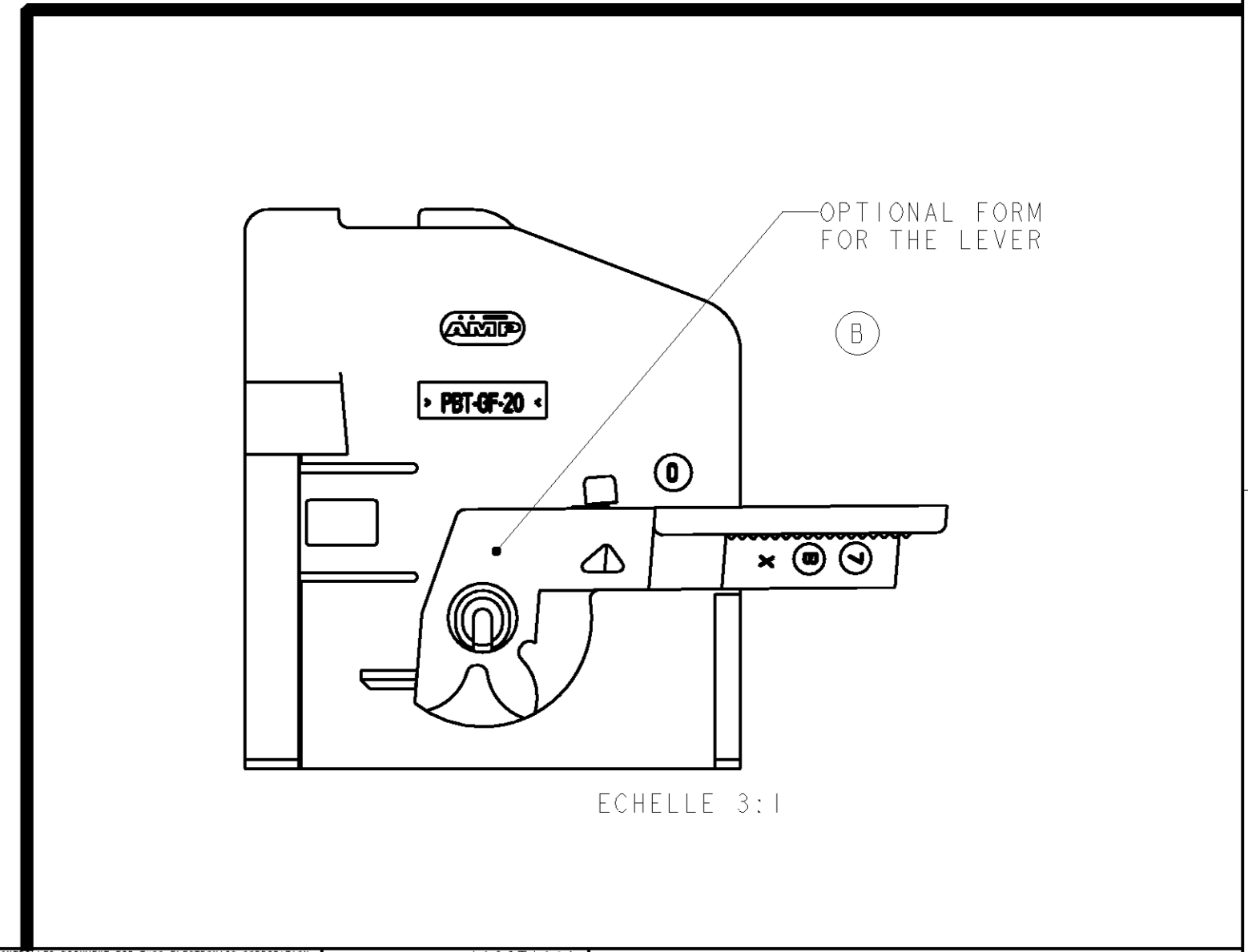
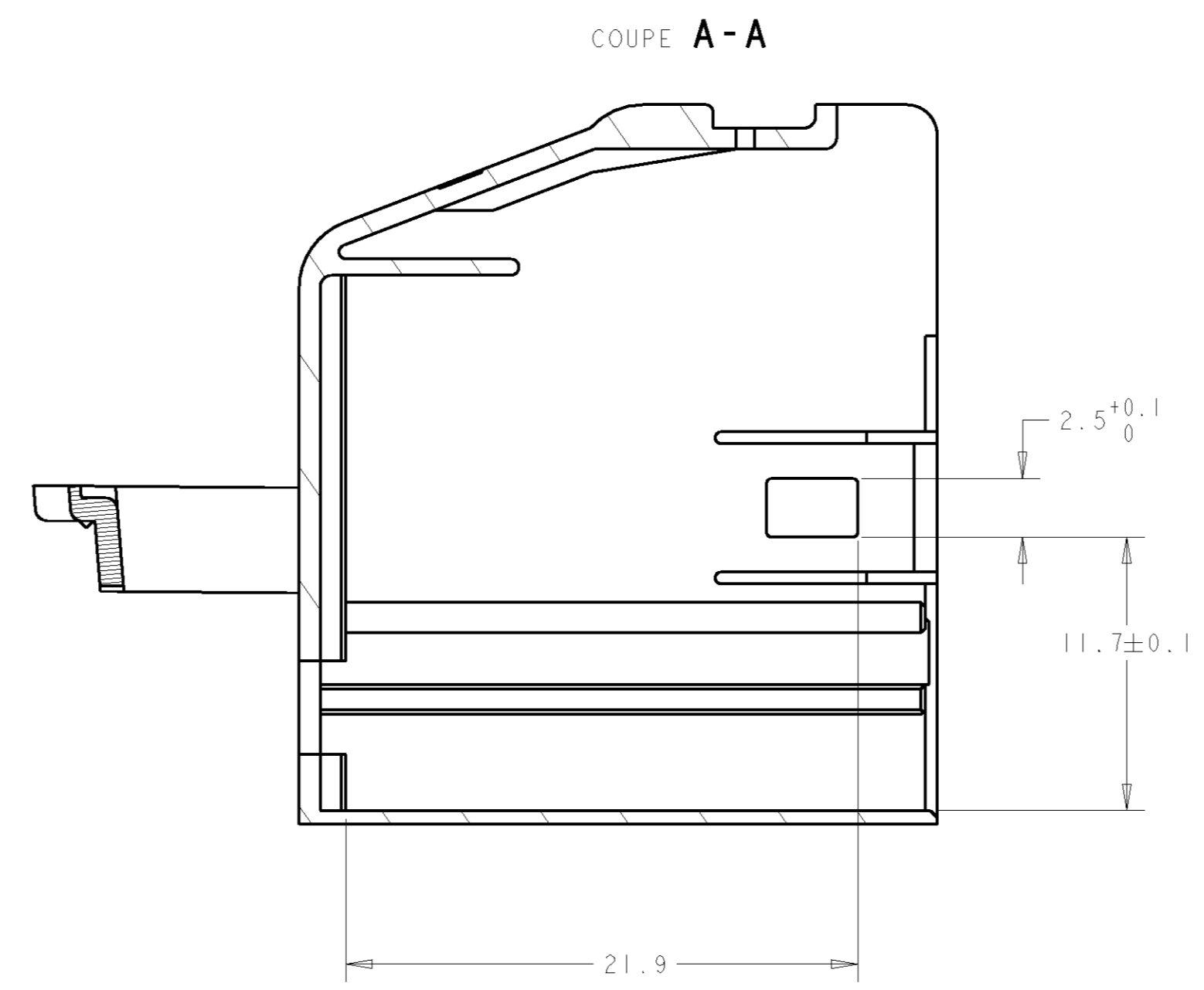
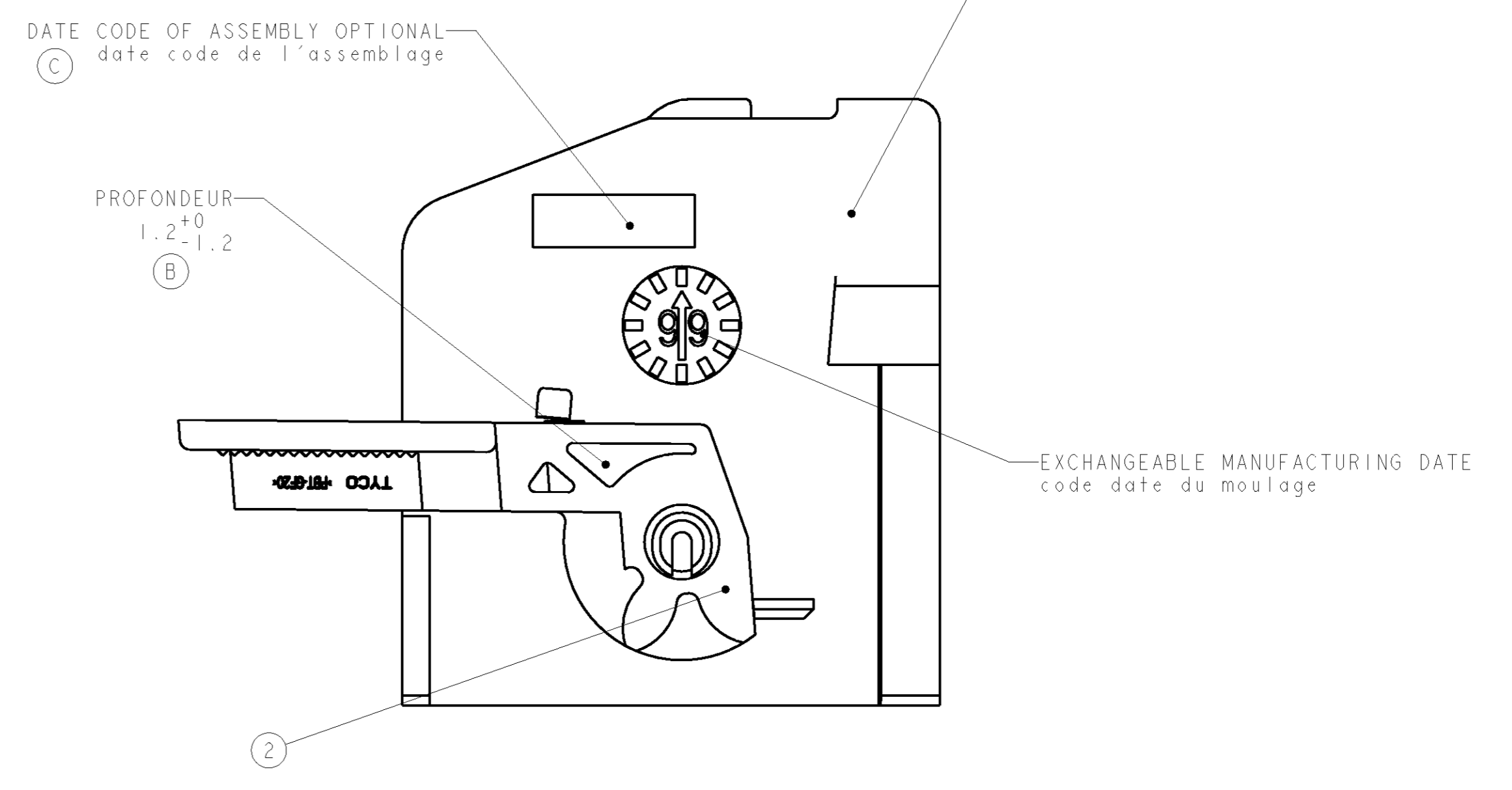
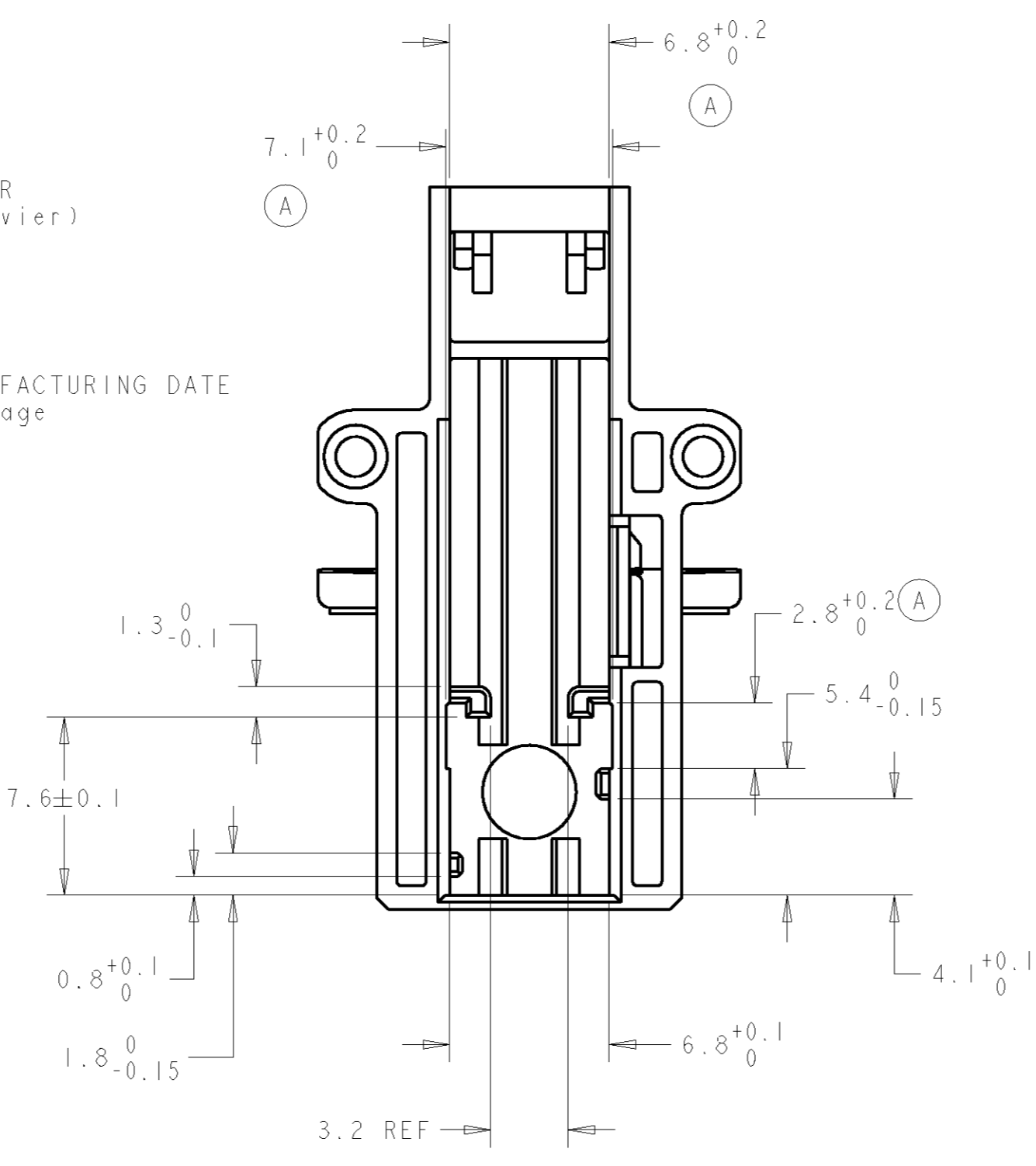
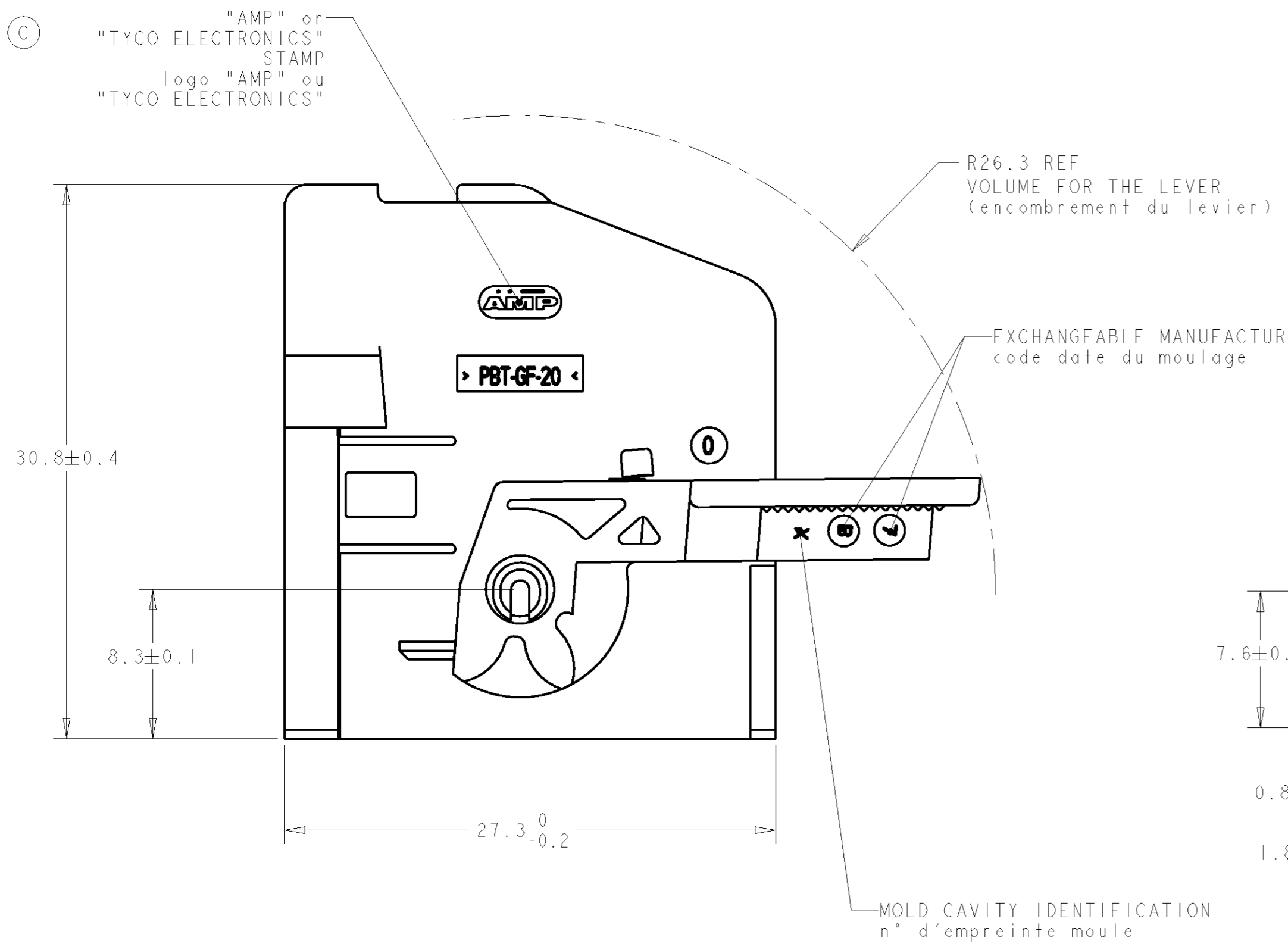
Address: A1208, Overseas Decoration Building, #122 Zhenhua RD., Futian, Shenzhen, China



LOC		DIST		REVISIONS					
F	00	REV	DATE	BY	APPV	REVISIONS	DATE	BY	APPV
		A	18APR2001	MP	JL	ADDED 2.8+0.2/-0; 7.1+0.2/-0			
		B	02DEC2002	MP	AA	ADDED OPTIONAL FORM FOR THE LEVER			
		C	13JUL2007	MP	XR	ADDED ASSEMBLY DATE CODE			



DESCRIPTION designation	ITEM rep.	QTTY qte	MATERIAL matiere	TE PN ref TE	COLOR couleur	KEYING detrompage
LEVER levier	2	1	PBT GF 20%	1379100-2	BLACK noir	 ECHELLE 2:1
SHIELD levier	1	1	PBT GF 20%		WHITE blanc	
LEVER levier	2	1	PBT GF 20%	1379100-1	BLACK noir	 ECHELLE 2:1
SHIELD capot	1	1	PBT GF 20%		BLACK noir	



DIMENSIONS: mm TOLERANCES: UNLESS OTHERWISE SPECIFIED: 0 PLC / DEC: ±0.2 1 PLC / DEC: ±0.2 2 PLC / DEC: ±0.2 3 PLC / DEC: ±0.2 4 PLC / DEC: ±0.2 ANGLES: °		TOLERANCES: UNLESS OTHERWISE SPECIFIED: ±0.1 1 REV: ±0.1 2 REV: ±0.1 3 REV: ±0.1 4 REV: ±0.1		TITRE: SHIELD+LEVER FOR 18 POS (0) ASSY GENE II PORTE-MODULE 18 VOIES MOS GENE II (0) ASSY	
MATERIAL MATIERE: - FINISH FINITION: -		WEIGHT MASSE APPROX: 3.5g CUSTOMER DRAWING: /PLAN CLIENT		DWG /DESSINE: DOCT1999 M. POLLEONTE CHK /VERIFIE: J. LALANGE APVD /APPROUVE: J. LALANGE DATE: 11OCT1999 NAME: SHIELD+LEVER FOR 18 POS (0) ASSY GENE II PRODUCT SPEC: 108-15262 SPEC: APPLICATION 411-15554 SCALE: 4:1 SHEET: 1 OF 1	