



Chipsmall Limited consists of a professional team with an average of over 10 year of expertise in the distribution of electronic components. Based in Hongkong, we have already established firm and mutual-benefit business relationships with customers from,Europe,America and south Asia,supplying obsolete and hard-to-find components to meet their specific needs.

With the principle of “Quality Parts,Customers Priority,Honest Operation,and Considerate Service”,our business mainly focus on the distribution of electronic components. Line cards we deal with include Microchip,ALPS,ROHM,Xilinx,Pulse,ON,Everlight and Freescale. Main products comprise IC,Modules,Potentiometer,IC Socket,Relay,Connector.Our parts cover such applications as commercial,industrial, and automotives areas.

We are looking forward to setting up business relationship with you and hope to provide you with the best service and solution. Let us make a better world for our industry!



## Contact us

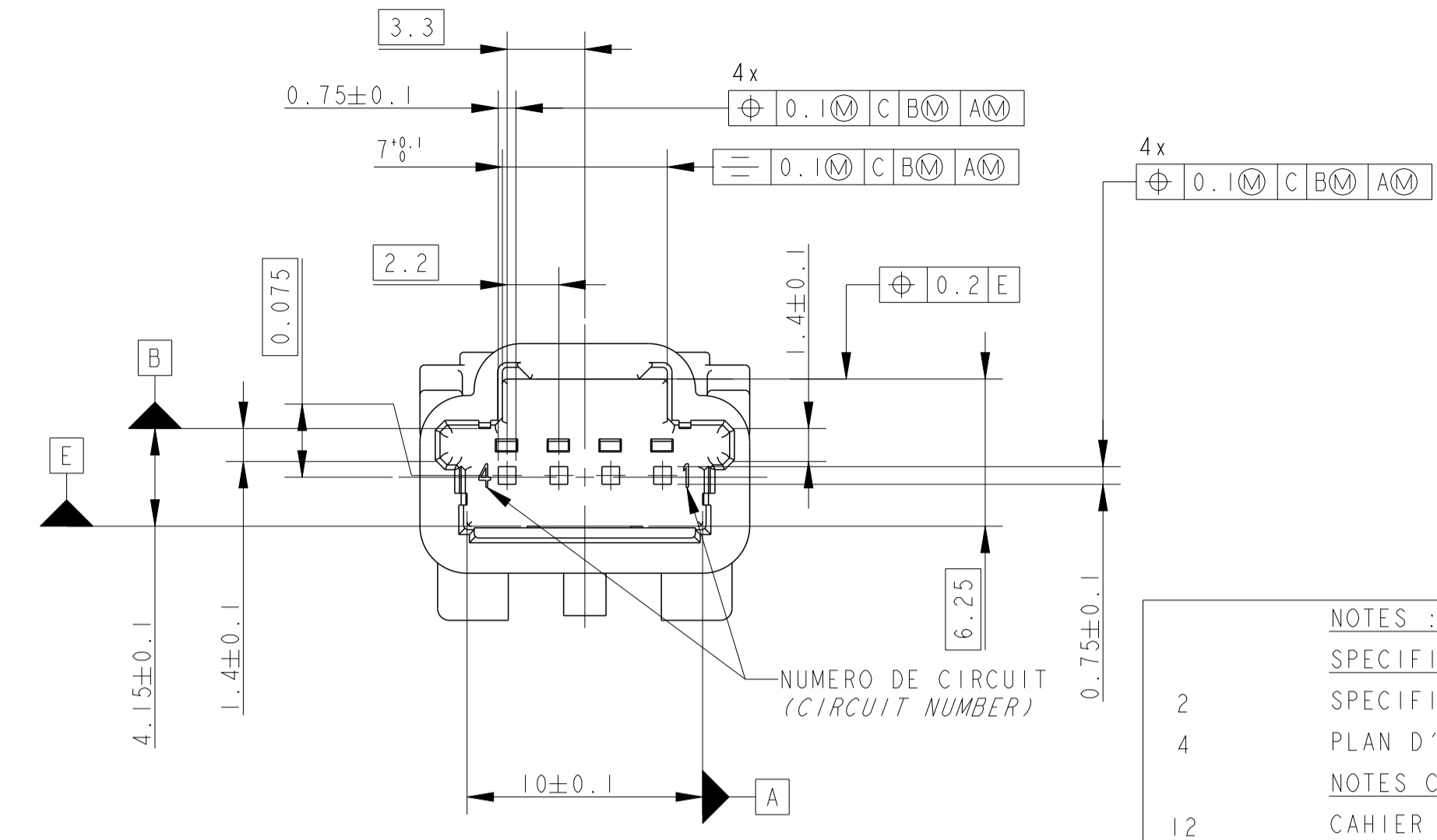
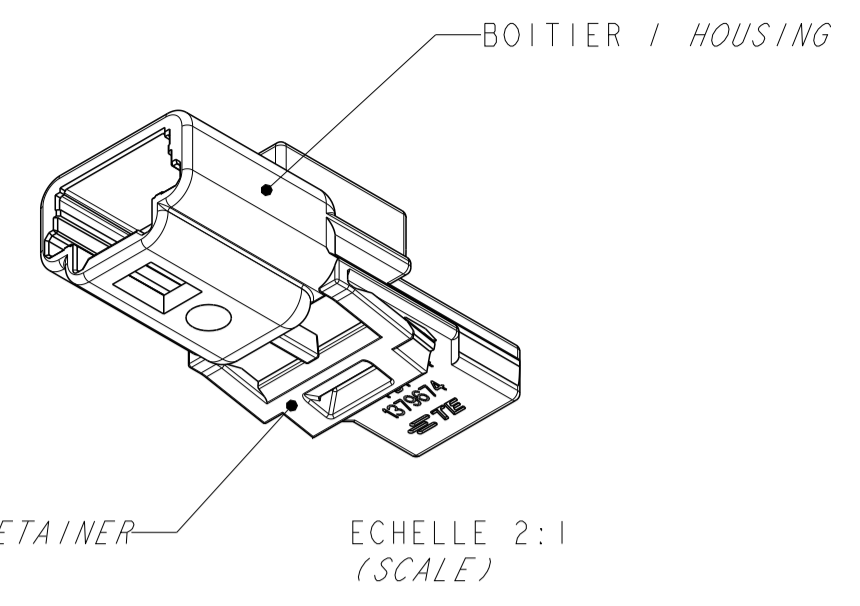
Tel: +86-755-8981 8866 Fax: +86-755-8427 6832

Email & Skype: info@chipsmall.com Web: www.chipsmall.com

Address: A1208, Overseas Decoration Building, #122 Zhenhua RD., Futian, Shenzhen, China

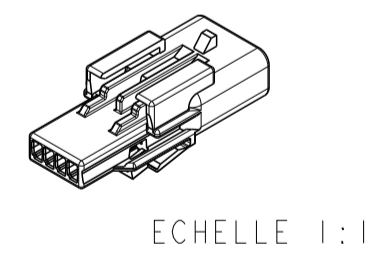
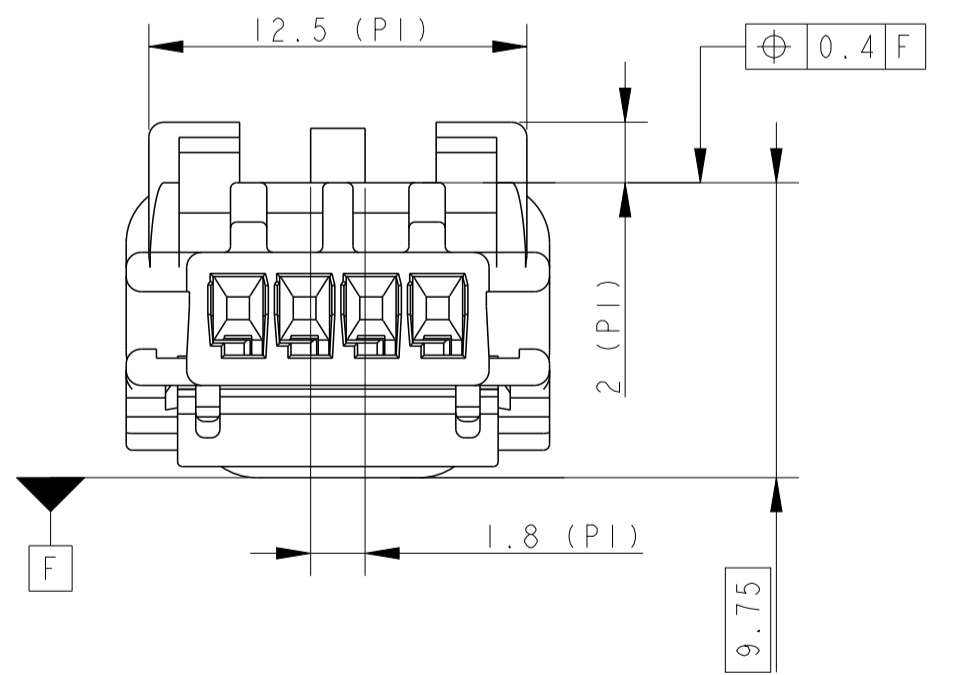
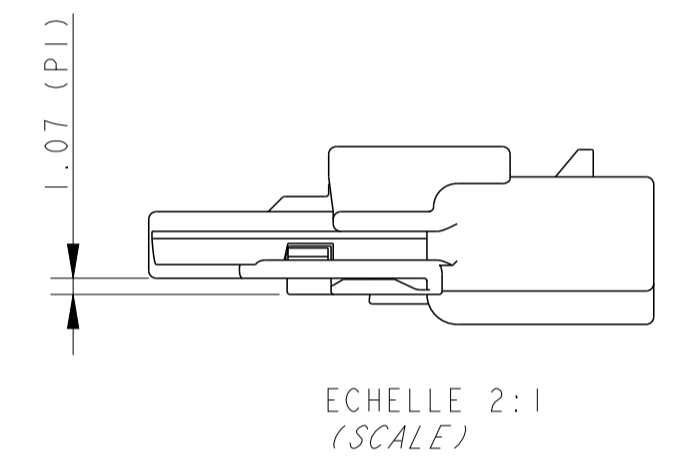
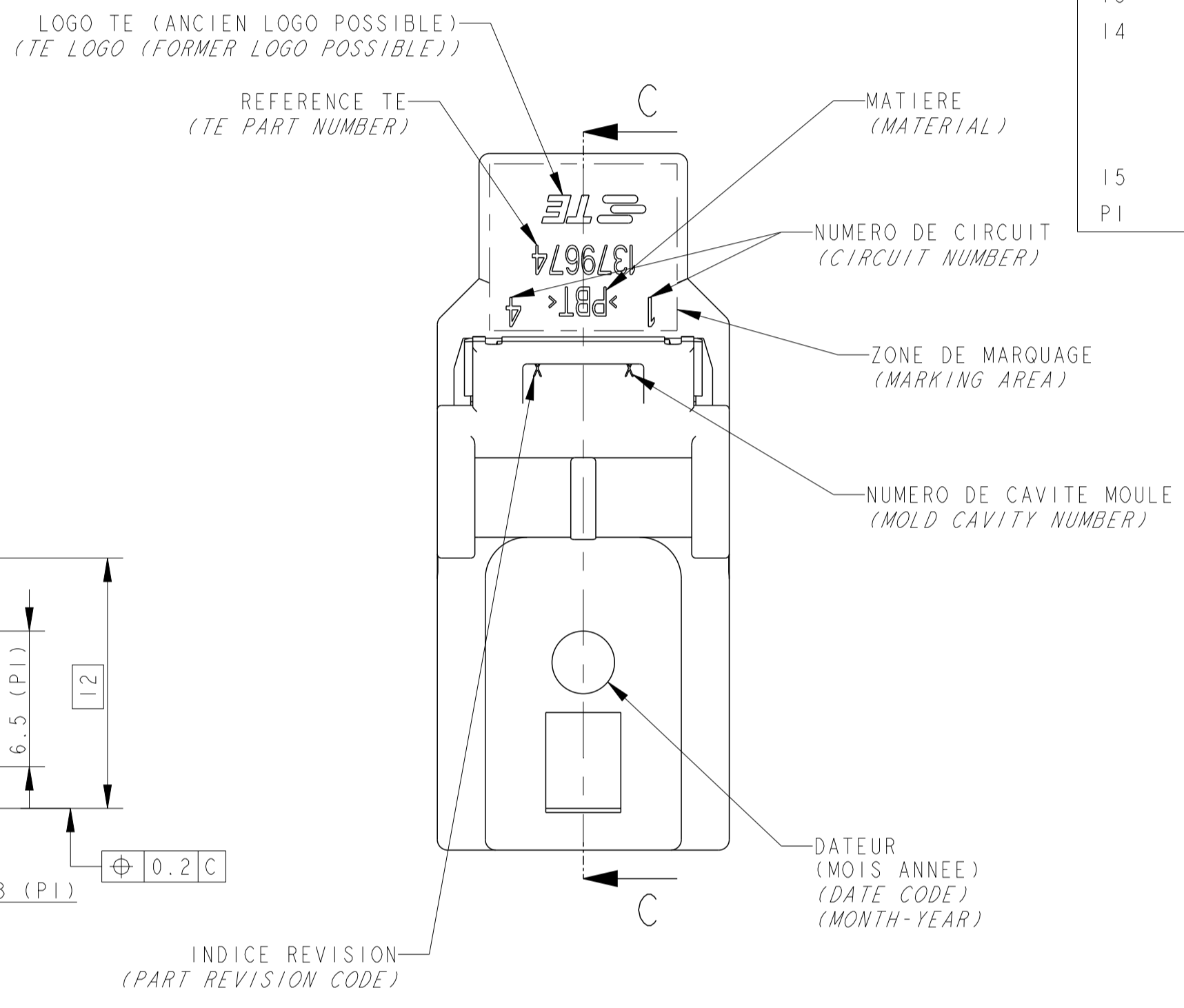
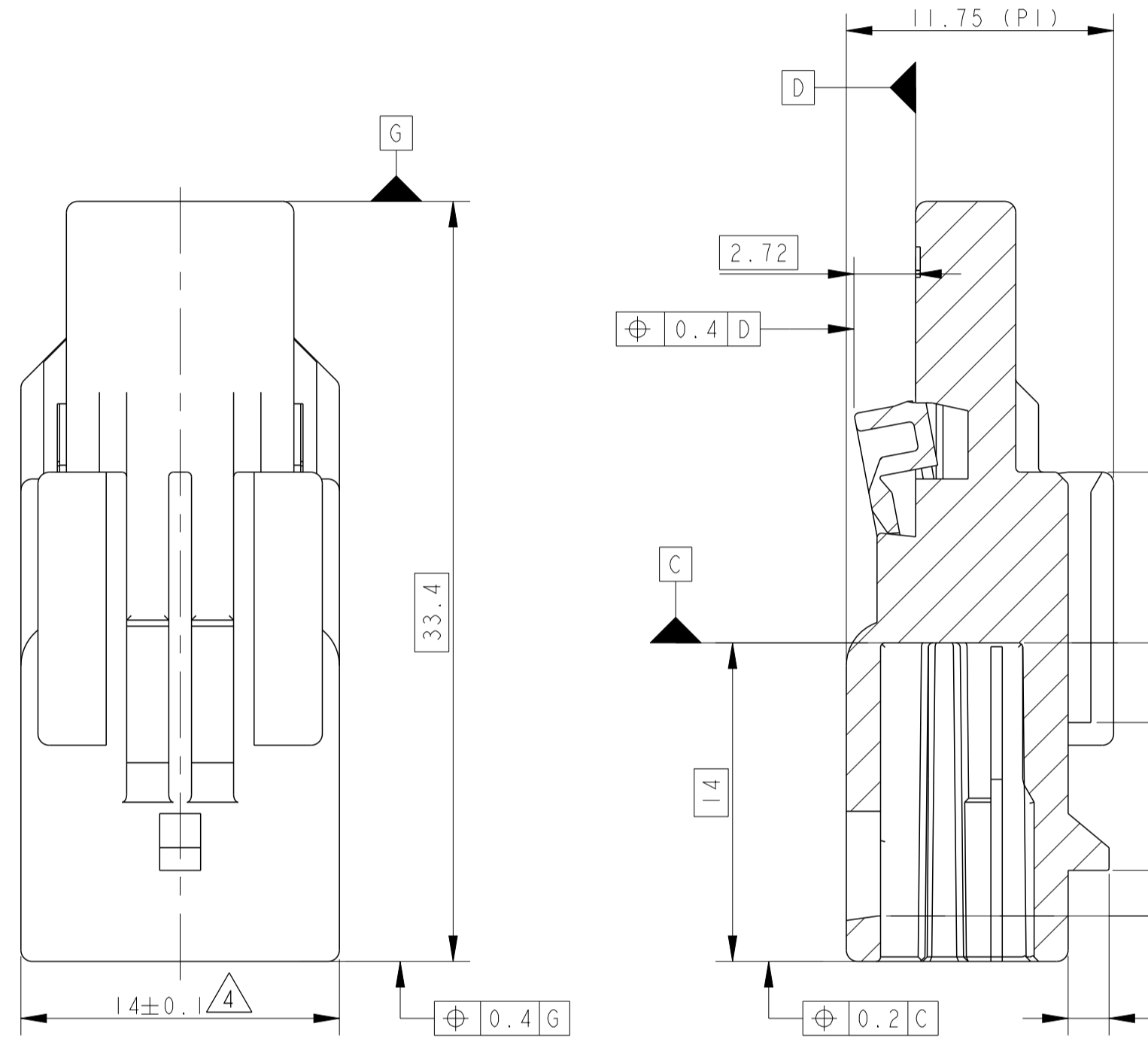


LOC	DIST	REVISIONS						
F	00	P	LTN	REV	DESCRIPTION	DATE	DWN	APPV
		A			UPDATE TE LOGO	15JUL2010	DB	JPP
		B			MATERIAL DUAL SOURCING	21FEB2013	DB	JPP



NOTES : LES NOTES LOCALES SONT ENTRE <->  
SPECIFICATIONS DE REFERENCE :  
SPECIFICATION TE : 108-15299  
PLAN D'INTERFACE TE : 1379774  
NOTES COMPLEMENTAIRES :  
12 CAHIER DE PRECONISATION : 411-15672  
13 REFERENCE REPRESENTEE : 1379674-1  
14 VERROU SECONDAIRE PREVERROUILLE (POSITION PREFERENTIELLE DE LIVRAISON). SI LE VERROU N'EST PAS DANS CETTE POSITION, SUIVRE LES INSTRUCTIONS DE LA NOTICE TECHNIQUE TE 411-15672 §8.2  
15 LIGNE BLANCHE AUTORISEE SUR CHARNIERE POUR INFORMATION

LOCALE NOTES ARE BETWEEN <->  
APPLICABLE SPECIFICATION :  
TE SPECIFICATION (SEE BEFORE)  
TE INTERFACE DRAWING (SEE BEFORE)  
ADDITIONAL NOTES :  
INSTRUCTION SHEET : (SEE BEFORE)  
PART NUMBER SHOWN (SEE BEFORE)  
SECONDARY LOCK IN PRELOCKED POSITION (PREFERRED DELIVERY POSITION). IF SECONDARY LOCKING IS NOT IN THIS POSITION, FOLLOW INSTRUCTIONS OF TE SPECIFICATION 411-15672 §8.2  
WHITE LINE PERMISSIBLE ON HINGE FOR REFERENCE ONLY



CONTACTS ASSOCIES (APPLIED CONTACTS)		
REF TE (TE PN)	FINITION (FINISH)	DESIGNATION (DESIGNATION)
-	-	-
1674742-1	ETAME (TINNED)	LANGUETTE .635 (.635 TAB) 0.35 A 0.5 MM <sup>2</sup> (SOMM)

REF TE / TE PN	DESCRIPTION / DESCRIPTION	CODAGE / KEYING	MATIERE / MATERIAL	COULEUR / COLOR	REVISION PIECE / PART REVISION
-	-	- / -	-	- / -	-
1379674-2	CONNECTEUR 4 VOIES / 4 WAY CONNECTOR	2 / 2	PBT / PBT	GRIS / GREY	A
1379674-1	CONNECTEUR 4 VOIES / 4 WAY CONNECTOR	1 / 1	PBT / PBT	NOIR / BLACK	A

THIS DRAWING IS A CONTROLLED DOCUMENT. CE PLAN EST UN DOCUMENT CONTROLÉ PAR ST-ELECTRONICS. IL EST SOUSCRIPTIONNÉ ET TENU EN DEVIANCE. CONTACTER LE SERVICE TECHNIQUE DE ST-ELECTRONICS POUR OBTENIR LA QUANTITÉ DÉSIÉE.

DWN / REVISION: 29OCT2002  
D. BANCE  
CHK / REVISION: 04NOV2002  
B. DUPONT

APVD / APPROVE: 04NOV2002  
JP. PICAUD

NAME: 025 TH 4 POS TAB HOUSING

PRODUCT SPEC: SEE TABLE  
SPEC. PRODUCT: SEE TABLE  
APPLICATION SPEC: SEE TABLE  
SPEC. APPLICATION: SEE TABLE

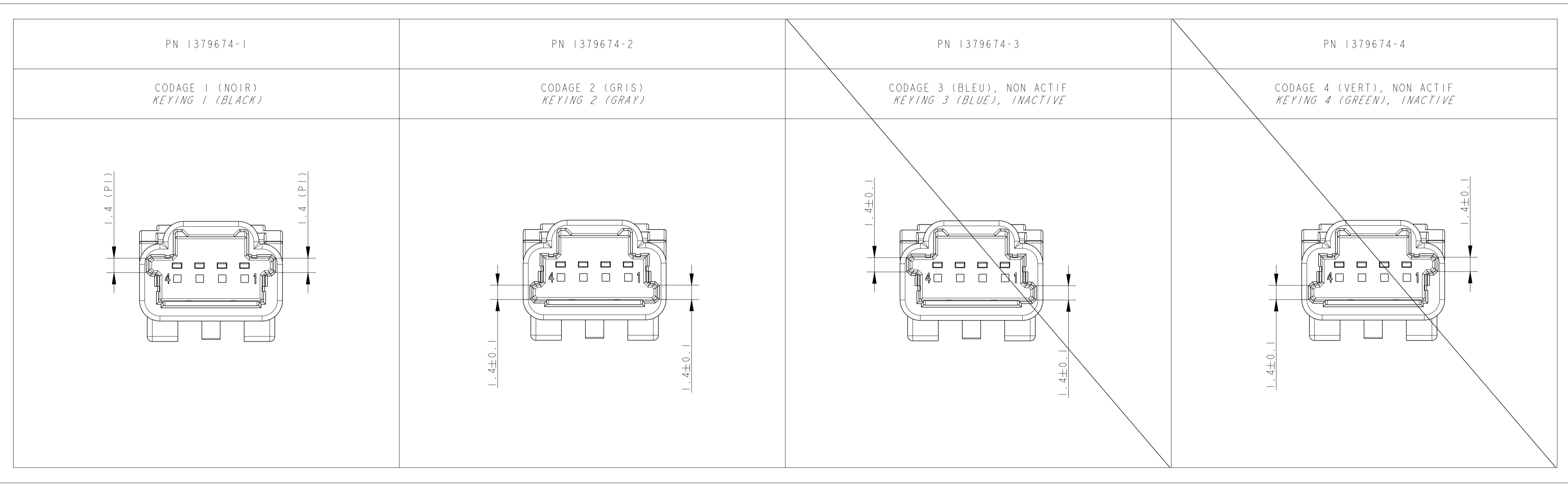
SIZE: A1  
CAGE CODE: 00779  
DRAWING NO: 1379674

RESTRICTED TO: RESERVE A

CUSTOMER DRAWING / PLAN CLIENT UNIFORMITÉ POUR REFERENCE  
SCALE: 4:1 SHEET: 1 OF 2 REV: B

THIS DRAWING IS UNPUBLISHED. RELEASED FOR PUBLICATION  
 DIFFUSION RESTREINTE. LIBRE A LA DIFFUSION  
 COPYRIGHT 20 BY - ALL RIGHTS RESERVED.  
 TOUS DROITS RESERVEES.

LOC		DIST		REVISIONS			
P	LTN	REV	DESCRIPTION	DATE	DWN	APPV	
-	-	-	SEE SHEET 1	-	-	-	-



THIS DRAWING IS A CONTROLLED DOCUMENT. CE PLAN EST UN DOCUMENT CONTRÔLÉ PAR TYSO ELECTRONICS - IL EST SENSIBLE À TOUTS CHANGEMENTS DE RÉVISIONS.		DWN / REVISION: 29OCT2002 D. BANCE CHK / REVISION: 04NOV2002 B. DUPONT	NAME: 025 TH 4 POS TAB HOUSING
DIMENSIONS: mm 	TOLERANCES UNLESS OTHERWISE SPECIFIED: TOLERANCES NON SPECIFIEES (SUIVY NB DE DECIMALES): 0 P.L.C./DEC: ± 1 P.L.C./DEC: ± 2 P.L.C./DEC: ±0.2 3 P.L.C./DEC: ± 4 P.L.C./DEC: ± ANGLES: ±5°	APVD / APPROUVE: 04NOV2002 JP. PICAUD PRODUCT SPEC: SEE TABLE APPLICATION SPEC: SEE TABLE SPEC. APPLICATION: SEE TABLE WEIGHT: - MASSE APPROX.: -	SIZE: A1 CAGE CODE: 1379674 DRAWING NO: 1379674 RESTRICTED TO RESERVE A: - REV: B
MATERIAL / MATIERE: SEE TABLE FINISH / FINITION: -	CUSTOMER DRAWING / PLAN CLIENT	UNIFORMITY / UNIFORMITE: - SCALE: 4:1 SHEET / FEUILLE: 2 OF 2	REV: B