



Chipsmall Limited consists of a professional team with an average of over 10 year of expertise in the distribution of electronic components. Based in Hongkong, we have already established firm and mutual-benefit business relationships with customers from,Europe,America and south Asia,supplying obsolete and hard-to-find components to meet their specific needs.

With the principle of “Quality Parts,Customers Priority,Honest Operation,and Considerate Service”,our business mainly focus on the distribution of electronic components. Line cards we deal with include Microchip,ALPS,ROHM,Xilinx,Pulse,ON,Everlight and Freescale. Main products comprise IC,Modules,Potentiometer,IC Socket,Relay,Connector.Our parts cover such applications as commercial,industrial, and automotives areas.

We are looking forward to setting up business relationship with you and hope to provide you with the best service and solution. Let us make a better world for our industry!



Contact us

Tel: +86-755-8981 8866 Fax: +86-755-8427 6832

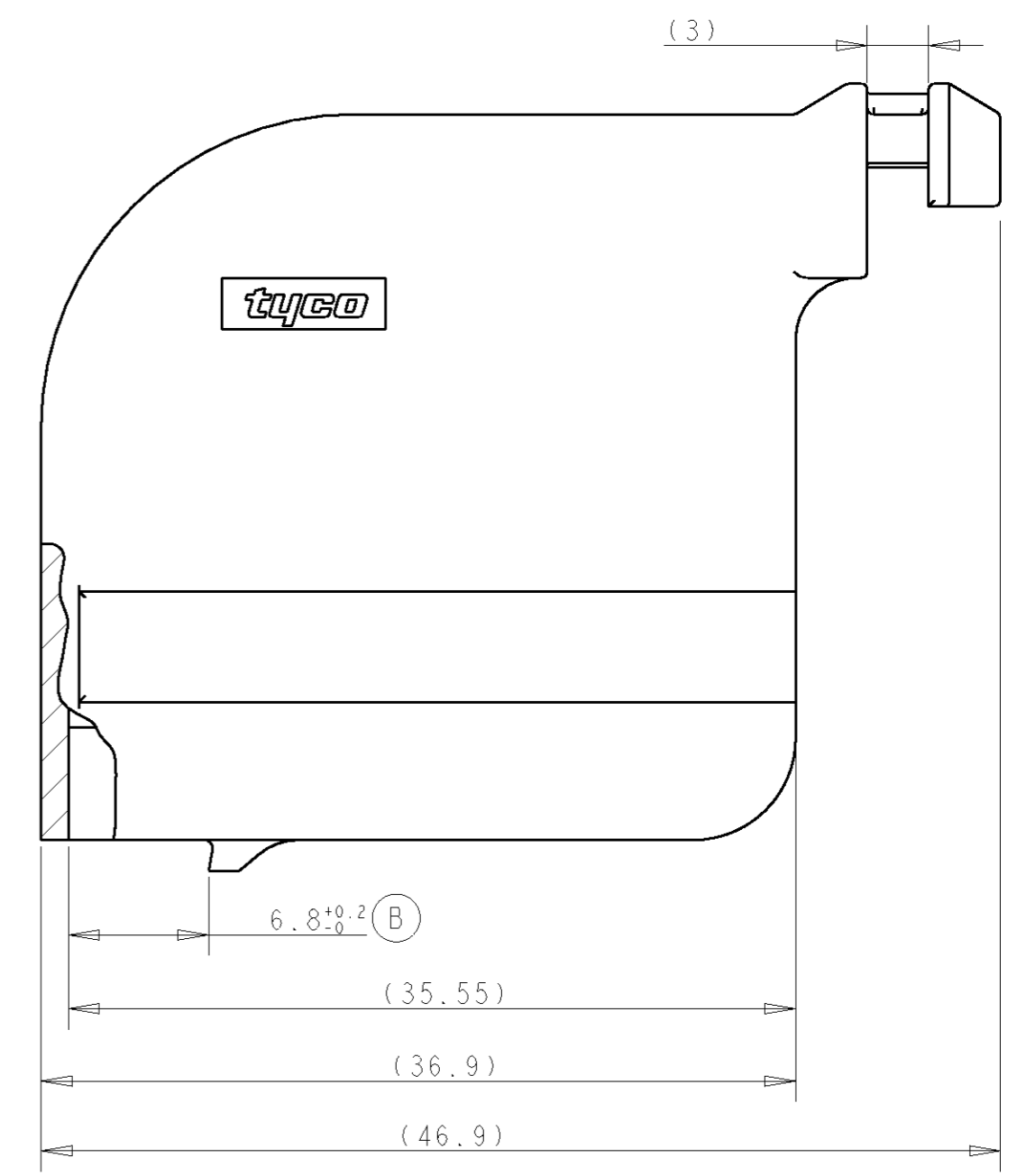
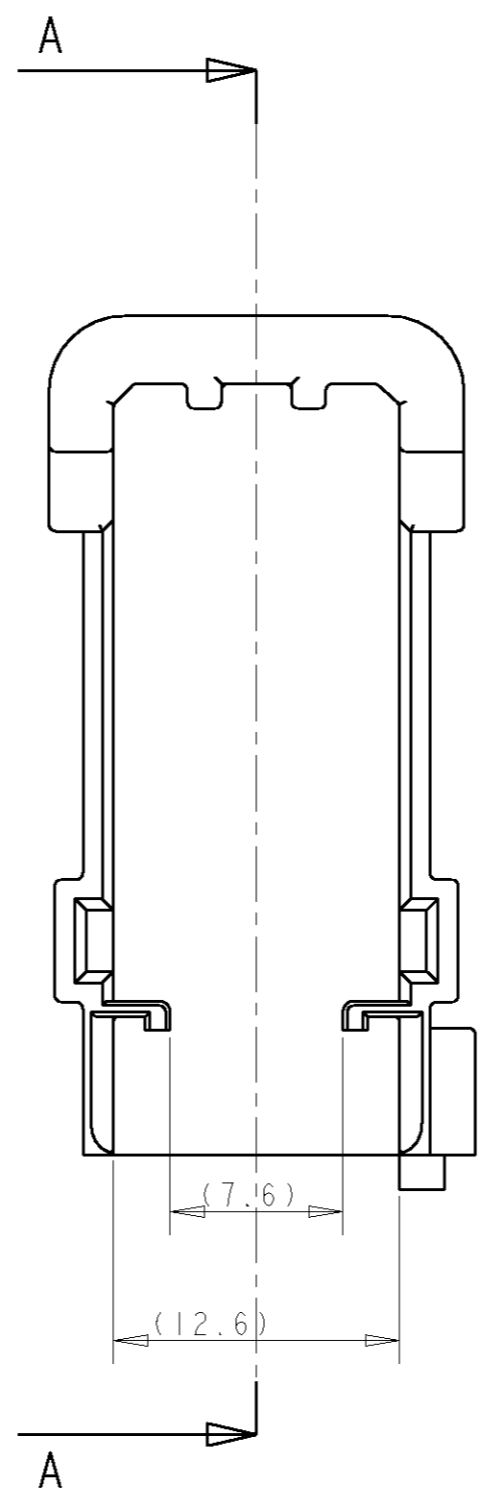
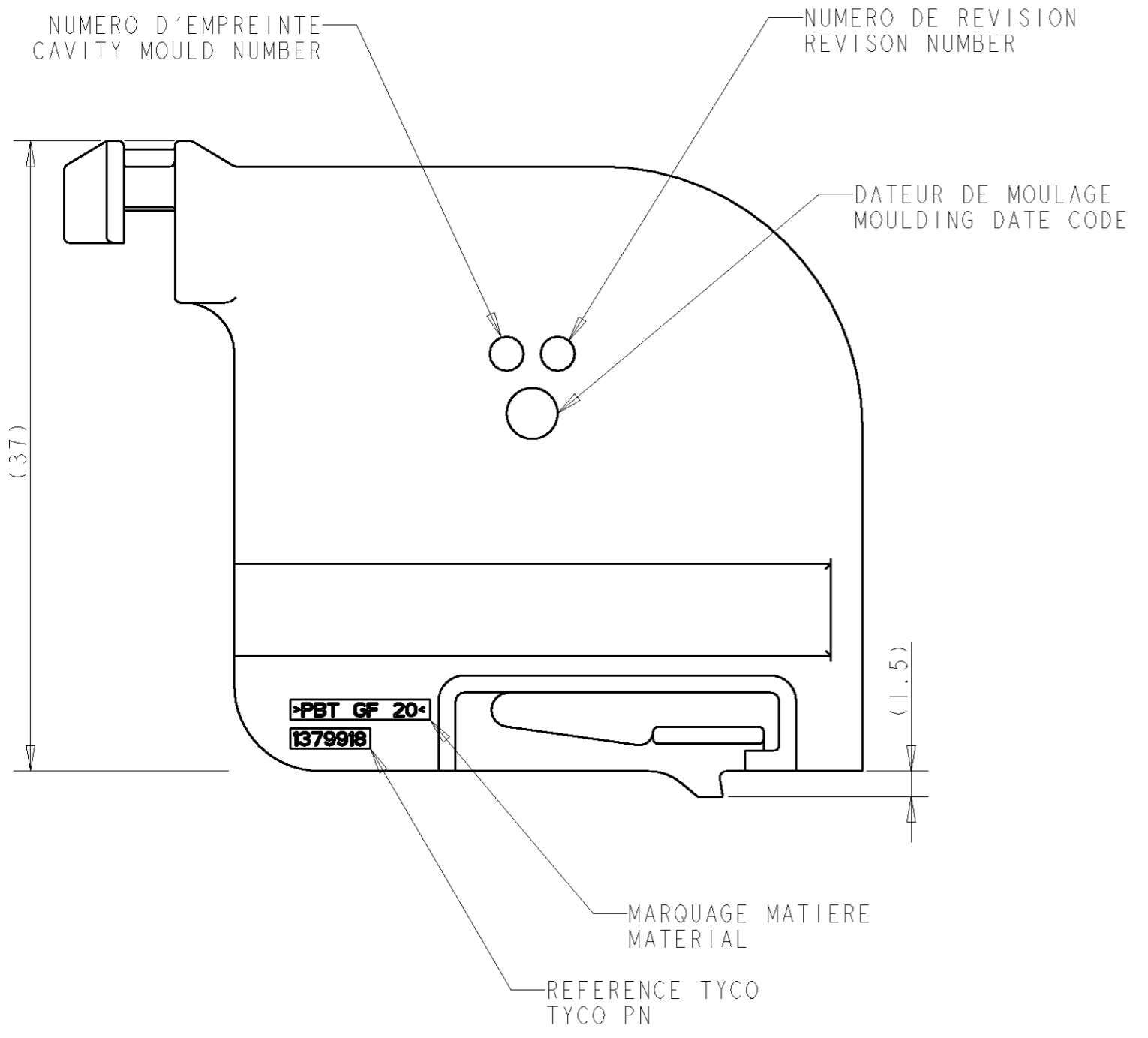
Email & Skype: info@chipsmall.com Web: www.chipsmall.com

Address: A1208, Overseas Decoration Building, #122 Zhenhua RD., Futian, Shenzhen, China

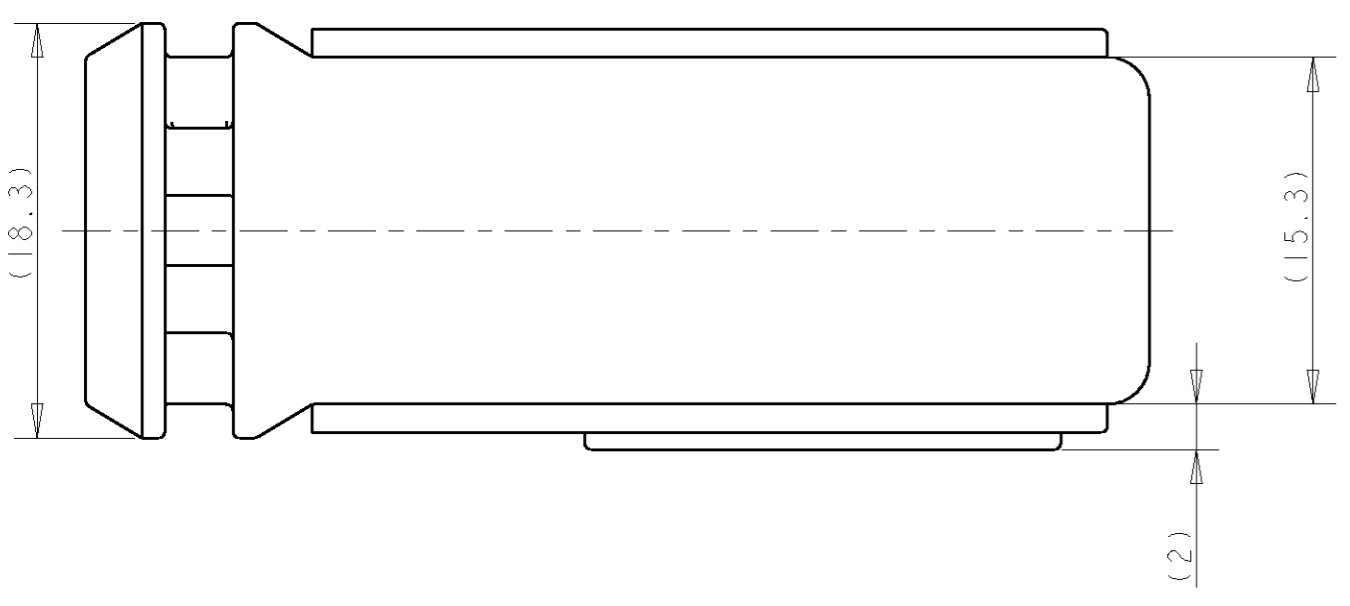


THIS DRAWING IS UNPUBLISHED. / RELEASED FOR PUBLICATION
 DIFFUSION RESTREINTE / LIBRE A LA DIFFUSION
 © COPYRIGHT 20 / BY TYCO ELECTRONICS CORPORATION. ALL RIGHTS RESERVED.
 TOUS DROITS RESERVES.

LOC	DIST	REVISIONS					
F	00	P	LTR	DESCRIPTION MODIFICATIONS	DATE	DWN BSS.	APVD APP.
		A		RELEASE	20SEP2005	AB	XR
		B		SEE BUBBLE B	27JAN2006	AB	XR



COUPE A - A



REFERENCE TYCO TYCO PN	COULEUR COLOUR	MATIERE MATERIAL
1379918-1	NOIR BLACK	PBT 20% FV PBT 20% FG

NOTES :

- 1 - PIECE A UTILISER AVEC/PART TO USE WITH:
 - LANGUETTES/TAB MQS REF 928918-X ET/AND MPQ 1355933-X
 - PORTE-LANGUETTES/TAB HOUSING 20 VOIES MQS MPQ HYBRIDES X-1379913-X
- 3 - CAHIER DE PRECONISATIONS/REQUIREMENT SHEET : 411-15698

<small>THIS DRAWING IS A CONTROLLED DOCUMENT FOR TYCO ELECTRONICS CORPORATION. IT IS SUBJECT TO CHANGE AND THE CONTROLLING ENGINEERING ORGANIZATION SHOULD BE CONTACTED FOR THE LATEST REVISION. CE PLAN EST UN DOCUMENT CONTROLÉ PAR TYCO ELECTRONICS. IL EST SUSCEPTIBLE D'ÊTRE REVISÉ. CONTACTER LE SERVICE TECHNIQUE DE TYCO ELECTRONICS POUR OBTENIR LA DERNIÈRE RÉVISION.</small>		DWN /DESSINE 27FEB2004 A. BARLEMONT CHK /VERIFIE 27FEB2004 M. POLIFONTE APVD /APROUVE 27FEB2004 X. ROLLIARD	tyco TYCO ELECTRONICS France SAS Electronics BP 30039, 95301 CERGY-PONTOISE Cedex
DIMENSIONS: mm 	TOLERANCES UNLESS OTHERWISE SPECIFIED: TOLERANCES NON SPECIFIEES (SUIV. NB. DE DECIMALES) ±0.2 ANGLES: ±5° FINISH/FINITION	NAME TITRE: CAPOT POUR PORTE-LANGUETTES 20 VOIES HYBRIDE PRODUCT SPEC. PRODUIT: 108-15343 APPLICATION SPEC. APPLICATION: 411-15698 WEIGHT MASSE APPROX.: 7 g	SIZE FORMAT: A2 CAGE CODE: 00779 DRAWING NO. No PLAN: C-1379918 RESTRICTED TO RESERVE A: -
MATERIAL/MATIERE: VOIR TABLEAU		CUSTOMER DRAWING /PLAN CLIENT	UNIFORMEMENT POUR REFERENCE: SCHEMATA SCALE ECHELLE: 3:1 SHEET FEUILLE: 1 OF DE: 1 REV: B