



Chipsmall Limited consists of a professional team with an average of over 10 year of expertise in the distribution of electronic components. Based in Hongkong, we have already established firm and mutual-benefit business relationships with customers from,Europe,America and south Asia,supplying obsolete and hard-to-find components to meet their specific needs.

With the principle of “Quality Parts,Customers Priority,Honest Operation,and Considerate Service”,our business mainly focus on the distribution of electronic components. Line cards we deal with include Microchip,ALPS,ROHM,Xilinx,Pulse,ON,Everlight and Freescale. Main products comprise IC,Modules,Potentiometer,IC Socket,Relay,Connector.Our parts cover such applications as commercial,industrial, and automotives areas.

We are looking forward to setting up business relationship with you and hope to provide you with the best service and solution. Let us make a better world for our industry!



## Contact us

Tel: +86-755-8981 8866 Fax: +86-755-8427 6832

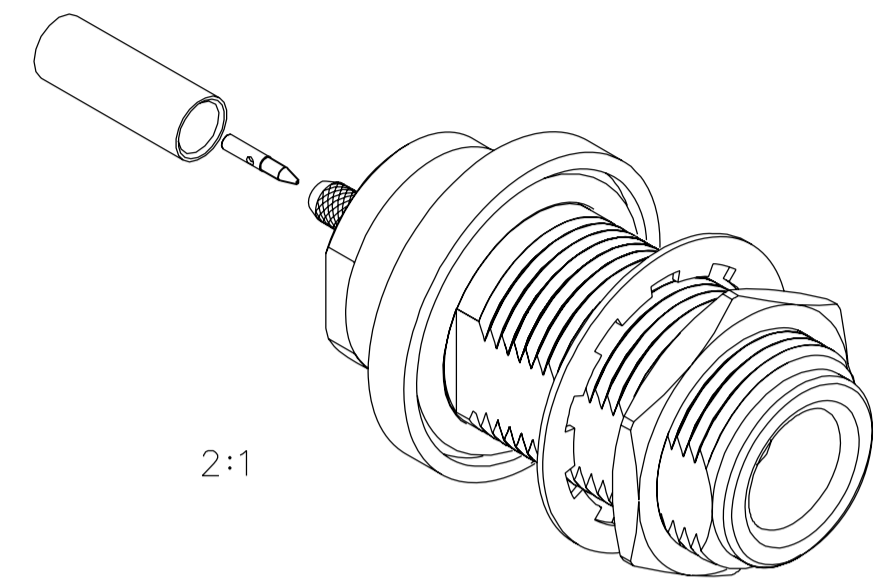
Email & Skype: info@chipsmall.com Web: www.chipsmall.com

Address: A1208, Overseas Decoration Building, #122 Zhenhua RD., Futian, Shenzhen, China

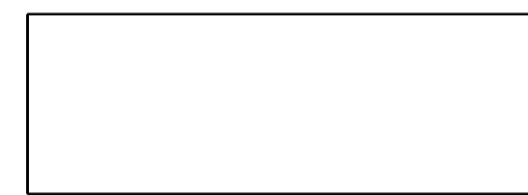


PART NUMBER	ITEM ① BODY	ITEM ② STEM	ITEM ③ FRONT CONTACT	ITEM ④ INSULATOR	ITEM ⑤ O-RING	ITEM ⑥ LOCKWASHER	ITEM ⑦ MOUNTING NUT	ITEM ⑧ REAR CONTACT	ITEM ⑨ CRIMP SLEEVE
138-4304-406	BRASS NICKEL PL .0001 MIN OVER COPPER PL .00005 MIN	BRASS NICKEL PL .0001 MIN OVER COPPER PL .00005 MIN	BERYLLIUM COPPER GOLD PL .00005 MIN OVER NICKEL PL .00005 MIN OVER COPPER PL .00005 MIN	TEFLON	SILICONE RUBBER	STEEL TRI-ALLOY .0001 MIN	BRASS NICKEL PL .0001 MIN OVER COPPER PL .00005 MIN	BRASS GOLD PL .00005 MIN OVER NICKEL PL .00005 MIN OVER COPPER PL .00005 MIN	COPPER NICKEL PL .0001 MIN OVER COPPER PL .00005 MIN
138-4304-407	BRASS TRI-ALLOY PL .0001 MIN	BRASS TRI-ALLOY PL .0001 MIN	BERYLLIUM COPPER GOLD PL .00005 MIN OVER NICKEL PL .00005 MIN OVER COPPER PL .00005 MIN	TEFLON	SILICONE RUBBER	STEEL TRI-ALLOY .0001 MIN	BRASS NICKEL PL .0001 MIN OVER COPPER PL .00005 MIN	BRASS GOLD PL .00005 MIN OVER NICKEL PL .00005 MIN OVER COPPER PL .00005 MIN	COPPER TRI-ALLOY PL .0001 MIN

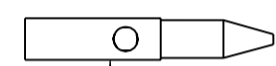
DRAWING NO. C - 138-4304-401/410	
0	REVISIONS
ENGINEERING RELEASE	
1	2-14-06 P A T J D M J 4-17-06 ECN 50289
LOCKWASHER TRI-ALLOY WAS ZINC .045-.400 WAS .045-.125	
***** REVISION NUMBER FOLLOWED BY AN ALPHA *****	
***** CHARACTER INDICATES DRAWING CLARIFI*****	
***** CATION OR PART NUMBER ADDITION ONLY. *****	
1a	2-8-07 P A T J D M J 2-15-07 ECN 50933



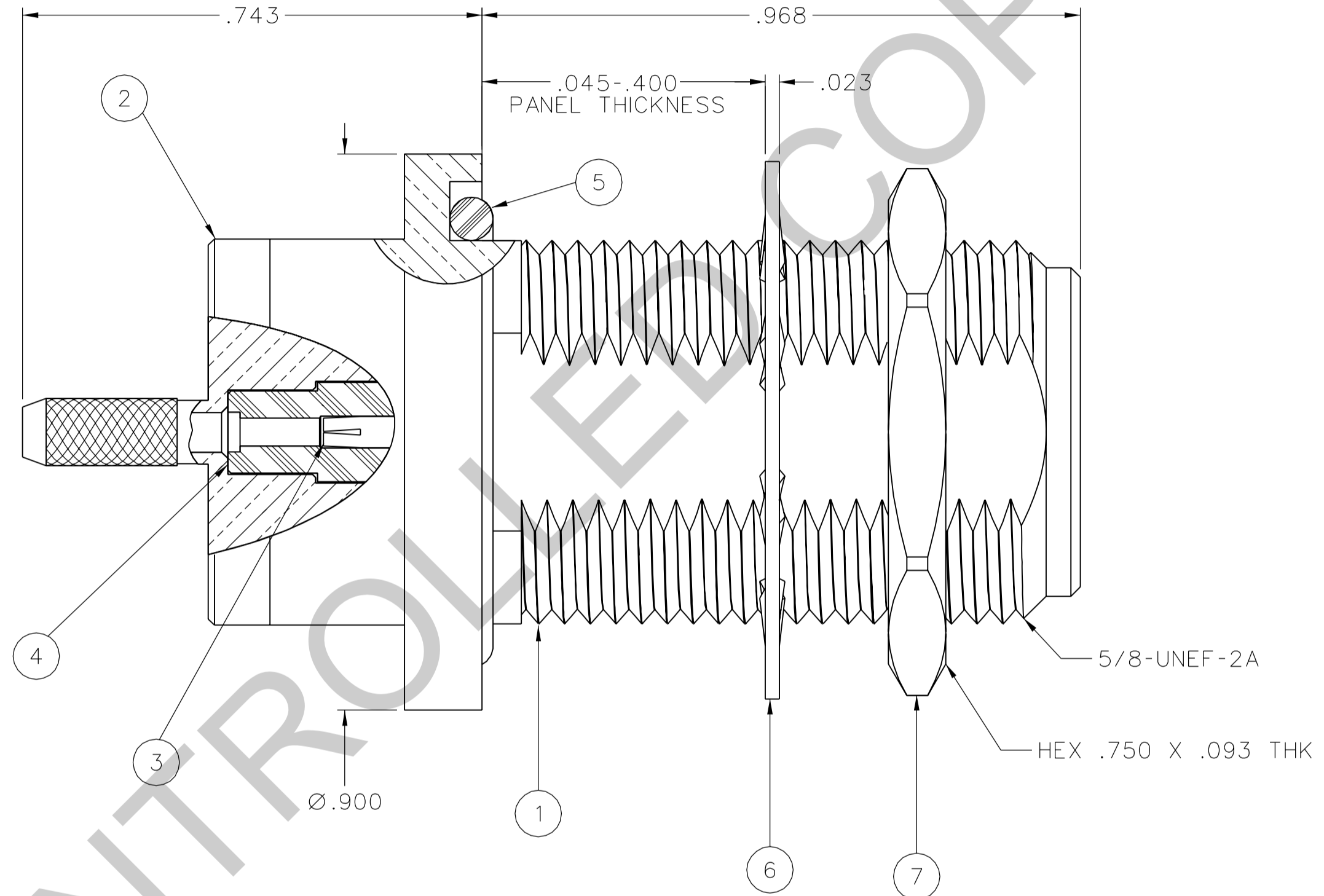
2:1



9



8

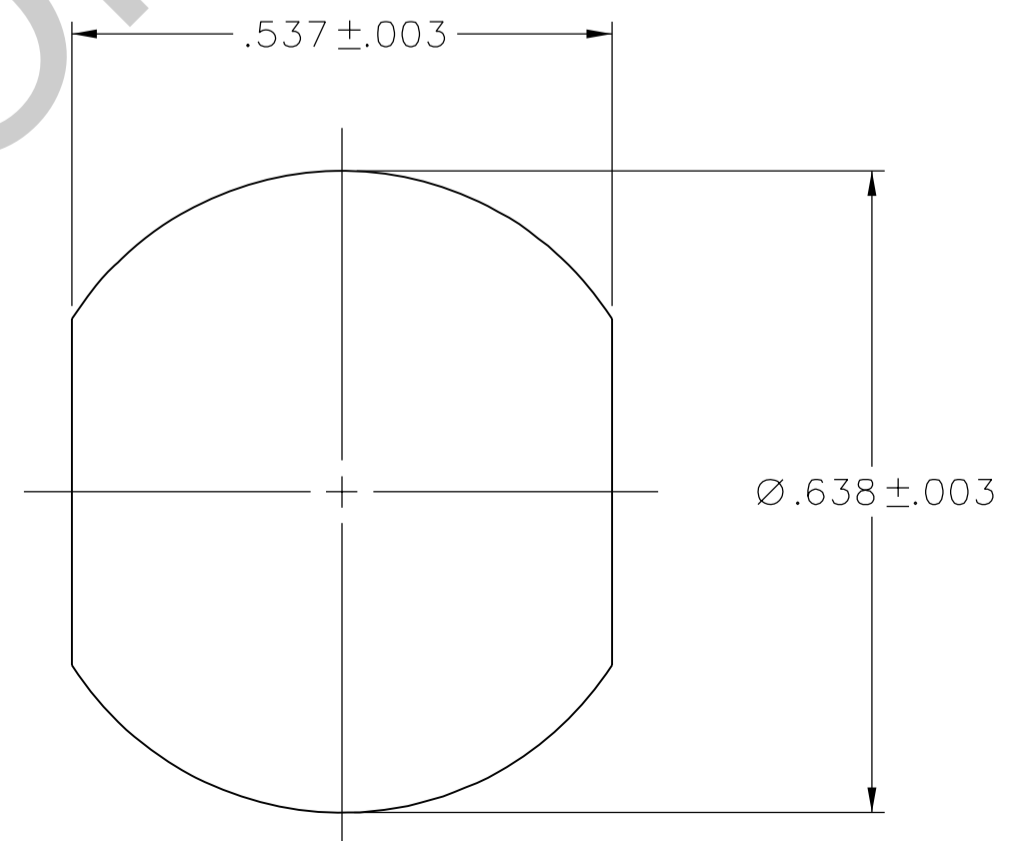


NOTES:

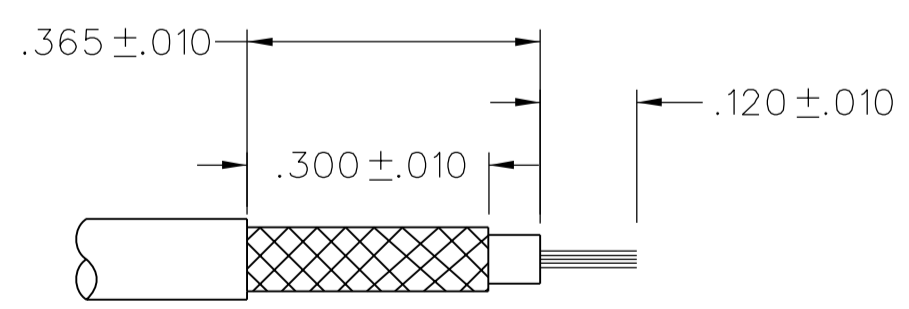
1. SPECIFICATIONS:
- IMPEDANCE: 50 OHMS
  - FREQUENCY RANGE: 0-11 GHz
  - VSWR: 1.30 MAX AT 0-11 GHz
  - WORKING VOLTAGE: 250 VRMS MAX AT SEA LEVEL
  - DIELECTRIC WITHSTANDING VOLTAGE: 750 VRMS MIN AT SEA LEVEL
  - INSULATION RESISTANCE: 5000 MEGOHM MIN
  - CONTACT RESISTANCE:
    - CENTER CONTACT - INITIAL 1.0 MILLIOHM MAX, AFTER ENVIRONMENTAL 1.5 MILLIOHM MAX
    - OUTER CONDUCTOR - INITIAL 0.2 MILLIOHM MAX, AFTER ENVIRONMENTAL NOT APPLICABLE
  - BODY TO CABLE - INITIAL .05 MILLIOHM MAX, AFTER ENVIRONMENTAL NOT APPLICABLE
  - CORONA LEVEL: 190 VOLTS MIN AT 70,000 FEET
  - INSERTION LOSS: .15 dB MAX, TESTED AT 9 GHz
  - RF LEAKAGE: -90 dB MIN AT 2 TO 3 GHz
  - RF HIGH POTENTIAL WITHSTANDING VOLTAGE: 500 VRMS AT 4 AND 7 MHz
  - THIRD ORDER INTERMODULATION PRODUCT (IMP3): TYPICALLY < -90 dBm (TESTED PER IEC GUIDELINES WITH 20W CW INPUTS AT 1930-1990 MHz)

- MECHANICAL:
- ENGAGE/DISENGAGE TORQUE: 6 IN-LBS MAX
  - MATING TORQUE: 7-10 IN-LBS
  - COUPLING PROOF TORQUE: NOT APPLICABLE
  - COUPLING NUT RETENTION: NOT APPLICABLE
  - CONTACT RETENTION: 6 LBS MIN AXIAL FORCE
  - CABLE ACCEPTABILITY: RG 316 DOUBLE SHIELDED, RG 188 DOUBLE SHIELDED
  - CABLE HEX CRIMP SIZE: .151
  - CABLE RETENTION: 30 LBS MIN AXIAL FORCE
  - DURABILITY: 500 CYCLES MIN

- ENVIRONMENTAL:
- (MEETS OR EXCEEDS THE APPLICABLE PARAGRAPH OF MIL-PRF-39012)
  - THERMAL SHOCK: MIL-STD-202, METHOD 107, CONDITION B, EXCEPT 85°C HIGH TEMP
  - OPERATING TEMPERATURE: -65°C TO 165°C
  - CORROSION: MIL-STD-202, METHOD 101, CONDITION B
  - SHOCK: MIL-STD-202, METHOD 213, CONDITION I
  - VIBRATION: MIL-STD-202, METHOD 204, CONDITION B
  - MOISTURE RESISTANCE: MIL-STD-202, METHOD 106



MOUNTING HOLE



CABLE STRIP DIMENSIONS  
NOT TO SCALE

TOLERANCE UNLESS OTHERWISE SPECIFIED	DRAWN BY PAT	DATE 2-13-06
DECIMALS _____ mm	CHECKED BY PDW	DATE 4-13-06
.XX _____	APPROVED BY JRK	DATE 4-13-06
.XXX REF _____	RELEASE DATE 4-17-06	
MATL _____	U/M INCH	SCALE 5:1
FINISH _____		

CUSTOMER DRAWING

THIS DRAWING TO BE INTERPRETED PER ASME Y 14.5M - 1994

"μSTATION"

COMPANY CONFIDENTIAL

**cinch** Connectivity Solutions  
P.O. Box 1732  
Waseca, MN 56093  
1-800-247-8256

TITLE  
ASSEMBLY, TYPE N  
BULKHEAD JACK  
RG 316/316DS

SHEET 2 OF 2  
DRAWING NO.  
C - 138-4304-401/410