



Chipsmall Limited consists of a professional team with an average of over 10 year of expertise in the distribution of electronic components. Based in Hongkong, we have already established firm and mutual-benefit business relationships with customers from,Europe,America and south Asia,supplying obsolete and hard-to-find components to meet their specific needs.

With the principle of “Quality Parts,Customers Priority,Honest Operation,and Considerate Service”,our business mainly focus on the distribution of electronic components. Line cards we deal with include Microchip,ALPS,ROHM,Xilinx,Pulse,ON,Everlight and Freescale. Main products comprise IC,Modules,Potentiometer,IC Socket,Relay,Connector.Our parts cover such applications as commercial,industrial, and automotives areas.

We are looking forward to setting up business relationship with you and hope to provide you with the best service and solution. Let us make a better world for our industry!



## Contact us

Tel: +86-755-8981 8866 Fax: +86-755-8427 6832

Email & Skype: info@chipsmall.com Web: www.chipsmall.com

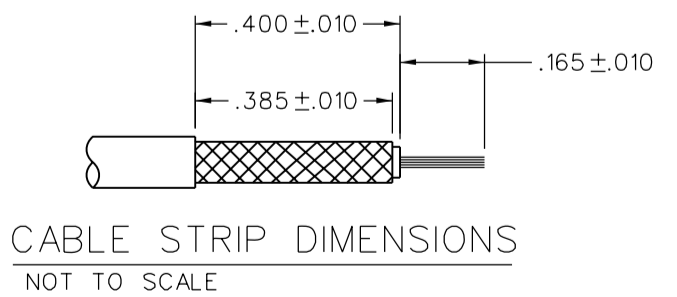
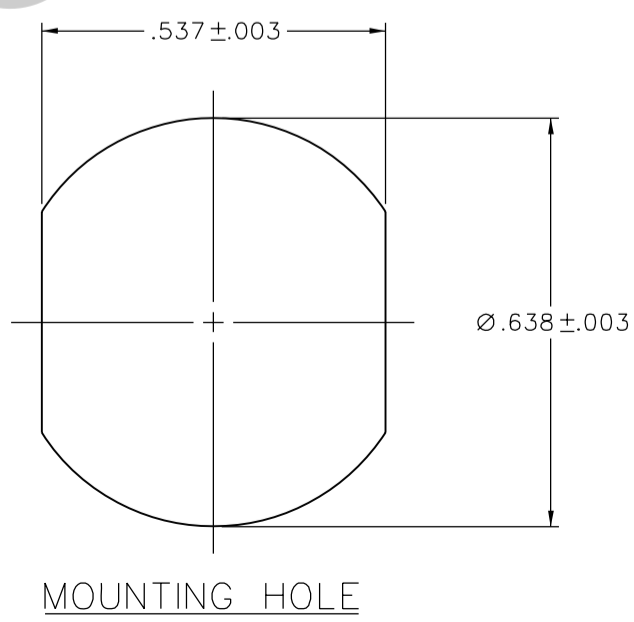
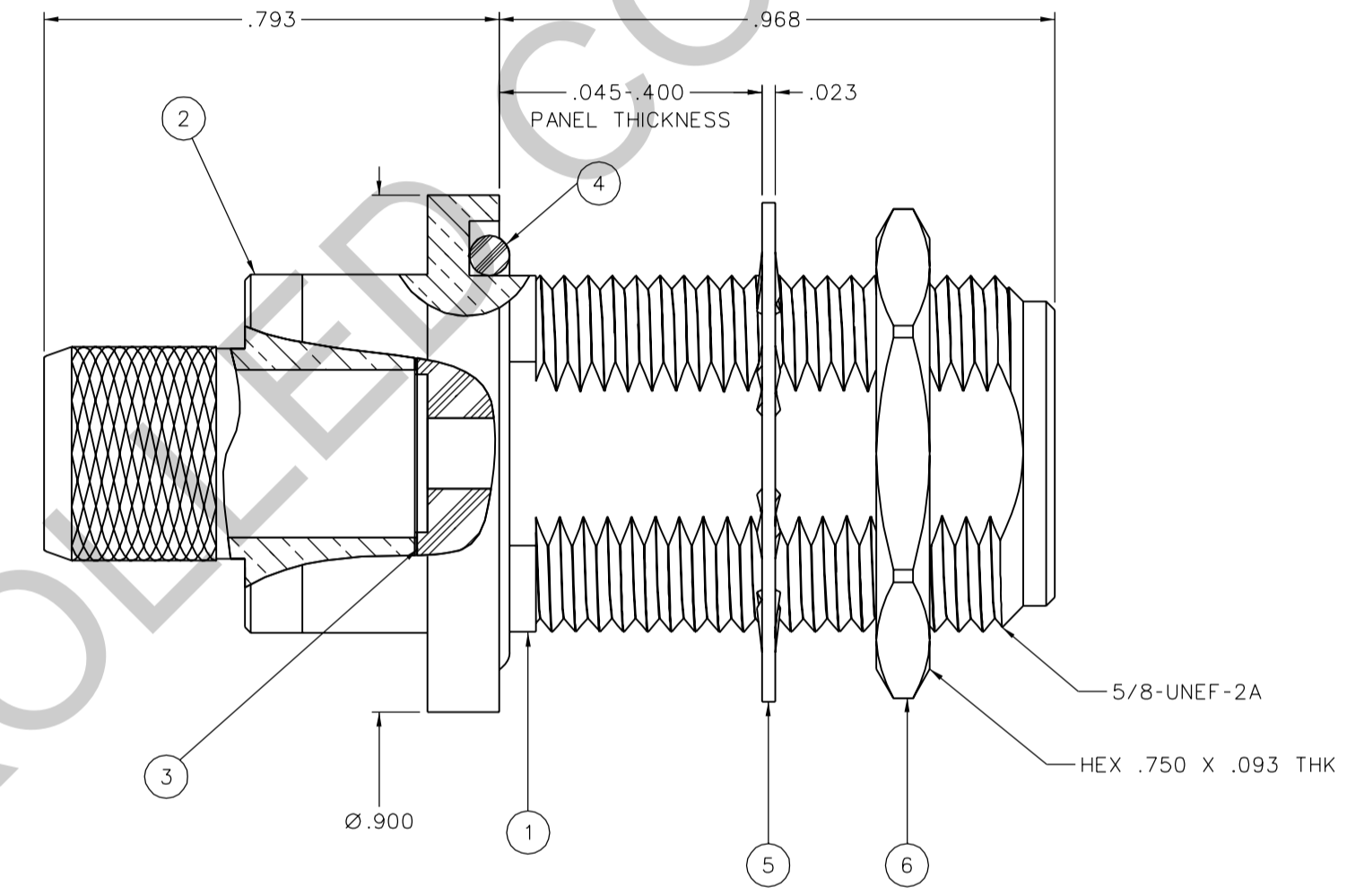
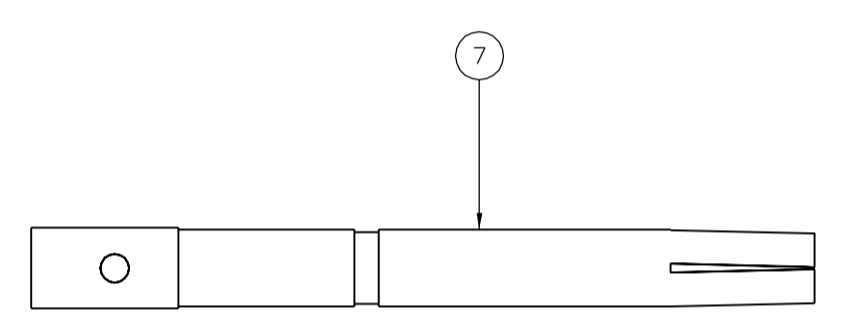
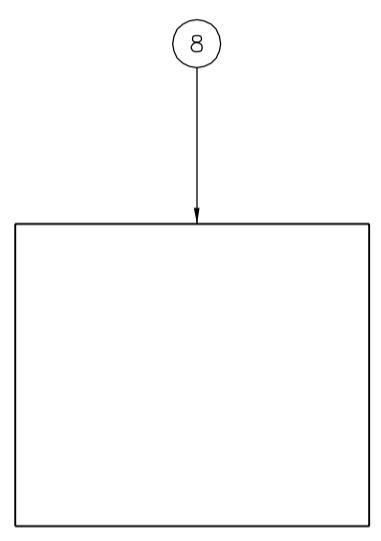
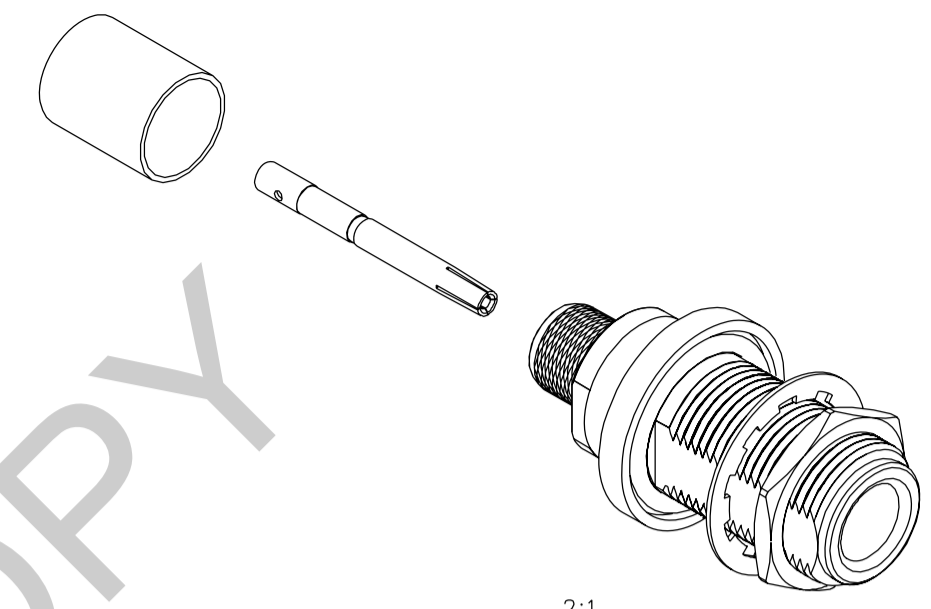
Address: A1208, Overseas Decoration Building, #122 Zhenhua RD., Futian, Shenzhen, China



| PART NUMBER  | ITEM ①<br>BODY  | ITEM ②<br>STEM  | ITEM ③<br>INSULATOR | ITEM ④<br>O-RING   | ITEM ⑤<br>LOCKWASHER         | ITEM ⑥<br>MOUNTING NUT                                    | ITEM ⑦<br>CONTACT  | ITEM ⑧<br>CRIMP SLEEVE                                     |
|--------------|---|---|---------------------|--------------------|------------------------------|---|--|--|
| 138-4318-406 | BRASS<br>NICKEL PL .0001 MIN OVER<br>COPPER PL .00005 MIN | BRASS<br>NICKEL PL .0001 MIN OVER<br>COPPER PL .00005 MIN | TEFLON              | SILICONE<br>RUBBER | STEEL<br>TRI-ALLOY .0001 MIN | BRASS<br>NICKEL PL .0001 MIN OVER<br>COPPER PL .00005 MIN | BERYLLIUM COPPER<br>GOLD PL .00005 MIN OVER<br>NICKEL PL .00005 MIN OVER<br>COPPER PL .00005 MIN | COPPER<br>NICKEL PL .0001 MIN OVER<br>COPPER PL .00005 MIN |
| 138-4318-407 | BRASS<br>TRI-ALLOY PL .0001 MIN                           | BRASS<br>TRI-ALLOY PL .0001 MIN                           | TEFLON              | SILICONE<br>RUBBER | STEEL<br>TRI-ALLOY .0001 MIN | BRASS<br>NICKEL PL .0001 MIN OVER<br>COPPER PL .00005 MIN | BERYLLIUM COPPER<br>GOLD PL .00005 MIN OVER<br>NICKEL PL .00005 MIN OVER<br>COPPER PL .00005 MIN | COPPER<br>TRI-ALLOY PL .0001 MIN                           |

DRAWING NO.  
D - 138-4318-401/410

| REVISIONS   |         |     |     |     |     |                      |
|---|---------|-----|-----|-----|-----|----------------------|
| 1   | 2-15-06 | PAT | PDW | TRK | JRK | 4-17-06<br>ECN 50293 |
| ENGINEERING RELEASE                                   |         |     |     |     |     |                      |
| LOCKWASHER TRI-ALLOY WAS ZINC .045-.400 WAS .045-.125 |         |     |     |     |     |                      |
| * REVISION NUMBER FOLLOWED BY AN ALPHA *              |         |     |     |     |     |                      |
| * CHARACTER INDICATES DRAWING CLARIFICATION *         |         |     |     |     |     |                      |
| * CATION OR PART NUMBER ADDITION ONLY *               |         |     |     |     |     |                      |
| 1a  | 2-8-07  | PAT | PDW | TRK | JRK | 2-15-07<br>ECN 50937 |



NOTES:

1. SPECIFICATIONS:

IMPEDANCE: 50 OHMS  
 FREQUENCY RANGE: 0-11 GHz  
 VSWR: 1.30 MAX AT 0-11 GHz  
 WORKING VOLTAGE: 1000 VRMS MAX AT SEA LEVEL  
 DIELECTRIC WITHSTANDING VOLTAGE: 2500 VRMS MIN AT SEA LEVEL  
 INSULATION RESISTANCE: 5000 MEGOHM MIN  
 CONTACT RESISTANCE:  
 CENTER CONTACT - INITIAL 1.0 MILLIOHM MAX, AFTER ENVIRONMENTAL 1.5 MILLIOHM MAX  
 OUTER CONDUCTOR - INITIAL 0.2 MILLIOHM MAX, AFTER ENVIRONMENTAL NOT APPLICABLE  
 BODY TO CABLE - INITIAL .05 MILLIOHM MAX, AFTER ENVIRONMENTAL NOT APPLICABLE  
 CORONA LEVEL: 500 VOLTS MIN AT 70,000 FEET  
 INSERTION LOSS: .15 dB MAX, TESTED AT 9 GHz  
 RF LEAKAGE: -90 dB MIN AT 2 TO 3 GHz  
 RF HIGH POTENTIAL WITHSTANDING VOLTAGE: 2500 VRMS AT 4 AND 7 MHz  
 THIRD ORDER INTERMODULATION PRODUCT (IMP3): TYPICALLY < -90 dBm  
 (TESTED PER IEC GUIDELINES WITH 20W CW INPUTS AT 1930-1990 MHz)

MECHANICAL:

ENGAGE/DISENGAGE TORQUE: 6 IN-LBS MAX  
 MATING TORQUE: 7-10 IN-LBS  
 COUPLING PROOF TORQUE: NOT APPLICABLE  
 COUPLING NUT RETENTION: NOT APPLICABLE  
 CONTACT RETENTION: NOT APPLICABLE  
 CABLE ACCEPTABILITY: RG 9, RG 214  
 CABLE HEX CRIMP SIZE: .429  
 CONTACT HEX CRIMP SIZE: .111  
 CABLE RETENTION: 90 LBS MIN AXIAL FORCE  
 DURABILITY: 500 CYCLES MIN

ENVIRONMENTAL:

(MEETS OR EXCEEDS THE APPLICABLE PARAGRAPH OF MIL-PRF-39012)  
 THERMAL SHOCK: MIL-STD-202, METHOD 107, CONDITION B, EXCEPT 85°C HIGH TEMP  
 OPERATING TEMPERATURE: -65°C TO 165°C  
 CORROSION: MIL-STD-202, METHOD 101, CONDITION B  
 SHOCK: MIL-STD-202, METHOD 213, CONDITION I  
 VIBRATION: MIL-STD-202, METHOD 204, CONDITION B  
 MOISTURE RESISTANCE: MIL-STD-202, METHOD 106

UNCONTROLLED COPY

CUSTOMER DRAWING

THIS DRAWING TO BE INTERPRETED PER ASME Y 14.5M - 1994

"μSTATION"

COMPANY CONFIDENTIAL

|                                      |                    |                 |  |   |   |
|--------------------------------------|--------------------|-----------------|--|---|---|
| TOLERANCE UNLESS OTHERWISE SPECIFIED | DRAWN BY<br>PAT    | DATE<br>2-15-06 |  | <b>Cinch</b><br><small>CONNECTIVITY SOLUTIONS</small><br><small>a Del Group</small> | Cinch Connectivity Solutions<br>P.O. Box 1732<br>Waseca, MN 56093<br>1-800-247-8256 |
| .XX DECIMALS                         | CHECKED BY<br>PDW  | DATE<br>X       |  |   |   |
| .XXX REF                             | APPROVED BY<br>JRK | DATE<br>X       | TITLE<br>ASSEMBLY, TYPE N<br>CRIMP BULKHEAD JACK<br>RG 214 |   |   |
| MATL                                 | RELEASE DATE       | X               | SHEET<br>2 OF 2  | DRAWING NO.<br>D - 138-4318-401/410   |   |
| FINISH                               | U/M                | INCH            | SCALE  | 5:1   |   |