



Chipsmall Limited consists of a professional team with an average of over 10 year of expertise in the distribution of electronic components. Based in Hongkong, we have already established firm and mutual-benefit business relationships with customers from,Europe,America and south Asia,supplying obsolete and hard-to-find components to meet their specific needs.

With the principle of "Quality Parts,Customers Priority,Honest Operation,and Considerate Service",our business mainly focus on the distribution of electronic components. Line cards we deal with include Microchip,ALPS,ROHM,Xilinx,Pulse,ON,Everlight and Freescale. Main products comprise IC,Modules,Potentiometer,IC Socket,Relay,Connector.Our parts cover such applications as commercial,industrial, and automotives areas.

We are looking forward to setting up business relationship with you and hope to provide you with the best service and solution. Let us make a better world for our industry!



Contact us

Tel: +86-755-8981 8866 Fax: +86-755-8427 6832

Email & Skype: info@chipsmall.com Web: www.chipsmall.com

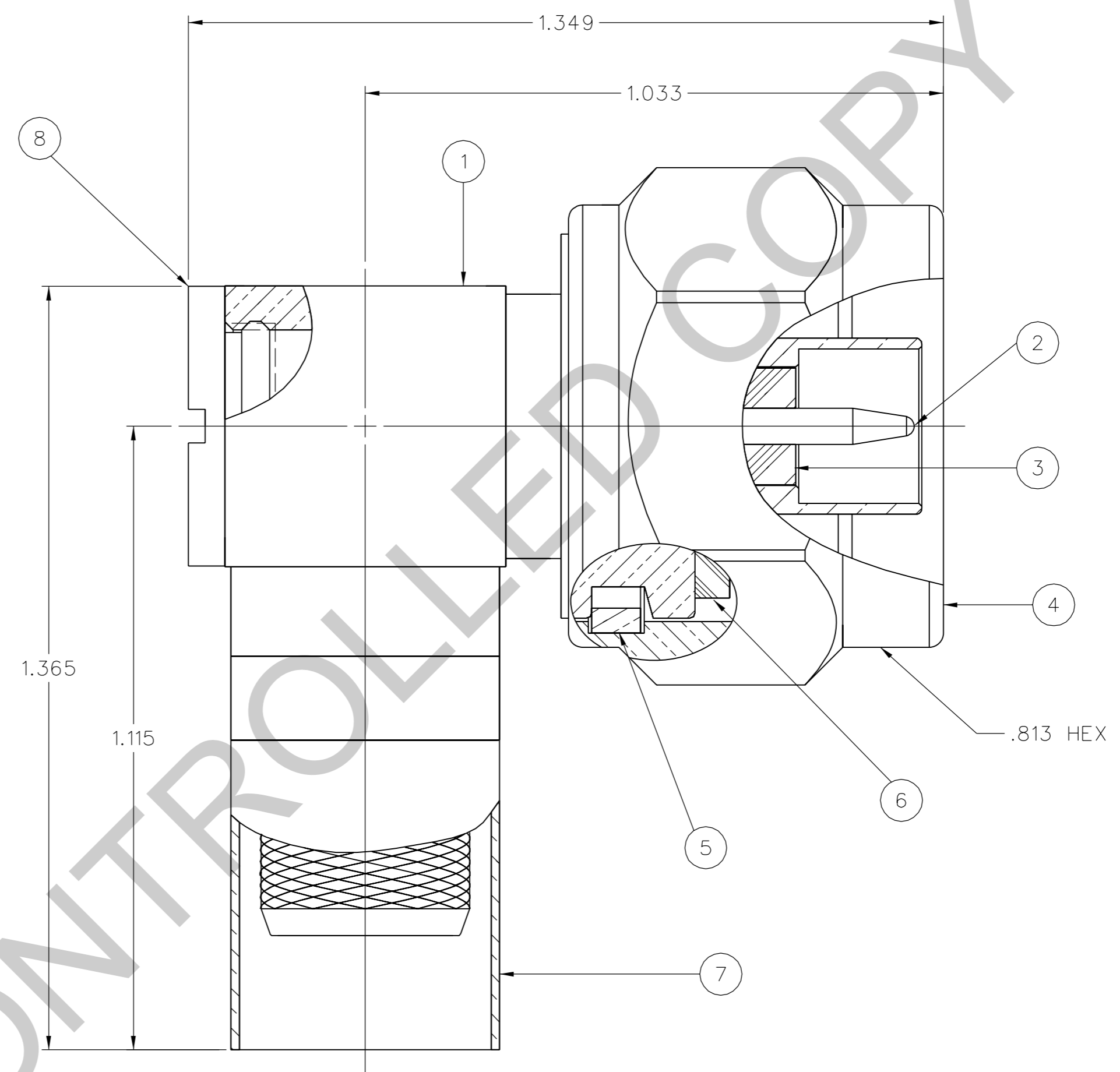
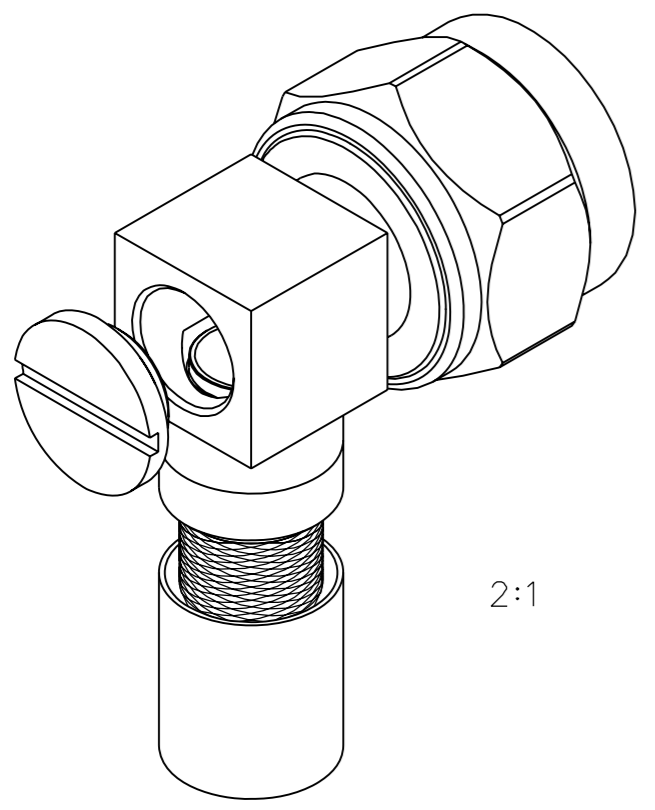
Address: A1208, Overseas Decoration Building, #122 Zhenhua RD., Futian, Shenzhen, China



| PART NUMBER | ITEM ① BODY | ITEM ② CONTACT | ITEM ③ INSULATOR | ITEM ④ COUPLING NUT | ITEM ⑤ RETENTION SPRING | ITEM ⑥ SEAL GASKET | ITEM ⑦ CRIMP SLEEVE | ITEM ⑧ END CAP |
|--------------|---|---|---------------------|---|------------------------------|-----------------------|--|---|
| 138-4418-106 | BRASS NICKEL PL .0001 MIN OVER COPPER PL .00005 MIN | BRASS GOLD PL .00005 MIN OVER NICKEL PL .00005 MIN OVER COPPER PL .00005 MIN | TEFLON | BRASS NICKEL PL .0001 MIN OVER COPPER PL .00005 MIN | BERYLLIUM COPPER UNPLATED | SILICONE RUBBER | COPPER NICKEL PL .0001 MIN OVER COPPER PL .00005 MIN | BRASS NICKEL PL .0001 MIN OVER COPPER PL .00005 MIN |
| 138-4418-107 | BRASS TRI-ALLOY PL .0001 MIN | BRASS GOLD PL .00005 MIN OVER NICKEL PL .00005 MIN OVER COPPER PL .00005 MIN | TEFLON | BRASS TRI-ALLOY PL .0001 MIN | BERYLLIUM COPPER UNPLATED | SILICONE RUBBER | COPPER TRI-ALLOY PL .0001 MIN | BRASS TRI-ALLOY PL .0001 MIN |

DRAWING NO.
C - 138-4418-101/110

| REVISIONS | | | | | |
|---|---------------------|-----|-----|-----|---------------------|
| 0 | ENGINEERING RELEASE | | | | |
| 1 | 12-19-05 | PAT | JRK | PDW | 4-7-06 ECN 50128 |
| .856±.010 WAS .842±.010, .120±.010 WAS .135±.010, VERSION UPDATE | | | | | |
| 2 | 12-19-05 | PAT | JRK | PDW | 7-7-06 ECN 50480 |



NOTES:

1. SPECIFICATIONS:

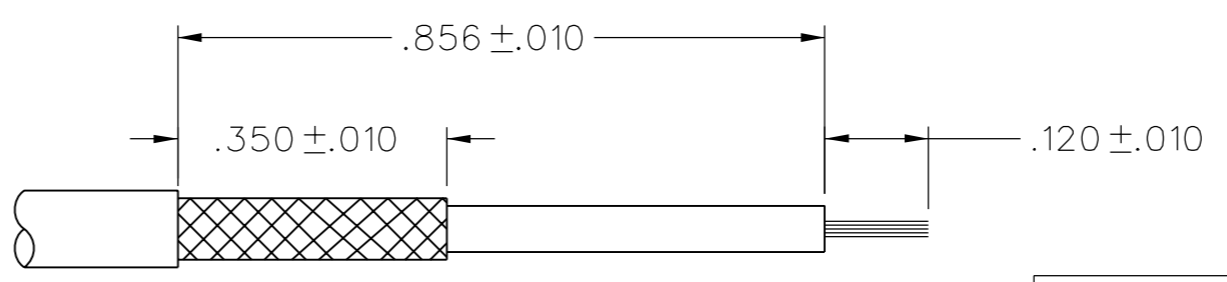
IMPEDANCE: 50 OHMS
 FREQUENCY RANGE: 0-11 GHz
 VSWR: 1.35 MAX AT 0-9 GHz, 1.50 MAX AT 9-1 GHz
 WORKING VOLTAGE: 1000 VRMS MAX AT SEA LEVEL
 DIELECTRIC WITHSTANDING VOLTAGE: 2500 VRMS MIN AT SEA LEVEL
 INSULATION RESISTANCE: 5000 MEGOHM MIN
 CONTACT RESISTANCE:
 CENTER CONTACT - INITIAL 2.5 MILLIOHM MAX, AFTER ENVIRONMENTAL 3.0 MILLIOHM MAX
 OUTER CONDUCTOR - INITIAL 0.2 MILLIOHM MAX, AFTER ENVIRONMENTAL NOT APPLICABLE
 BODY TO CABLE - 0.05 MILLIOHM MAX, AFTER ENVIRONMENTAL NOT APPLICABLE
 CORONA LEVEL: 500 VOLTS MIN AT 70,000 FEET
 INSERTION LOSS: 0.30 dB MAX, TESTED AT 9 GHz
 RF LEAKAGE: -90 dB MIN AT 2 TO 3 GHz
 RF HIGH POTENTIAL WITHSTANDING VOLTAGE: 1500 VRMS AT 4 AND 7 MHz
 THIRD ORDER INTERMODULATION PRODUCT (IMP3): TYPICALLY < -90 dBm
 (TESTED PER IEC GUIDELINES WITH 20W CW INPUTS AT 1930-1990 MHz)

MECHANICAL:

ENGAGE/DISENGAGE TORQUE: 6 IN-LBS MAX
 MATING TORQUE: 7-10 IN-LBS
 COUPLING PROOF TORQUE: 15 IN-LBS MIN
 COUPLING NUT RETENTION: 100 LBS MIN
 CONTACT RETENTION: 6 LBS MIN AXIAL FORCE
 CABLE ACCEPTABILITY: RG 9, RG 214
 CABLE HEX CRIMP SIZE: .429
 CONTACT HEX CRIMP SIZE: N/A
 CABLE RETENTION: 90 LBS MIN AXIAL FORCE
 DURABILITY: 500 CYCLES MIN

ENVIRONMENTAL:

(MEETS OR EXCEEDS THE APPLICABLE PARAGRAPH OF MIL-PRF-39012)
 THERMAL SHOCK: MIL-STD-202, METHOD 107, CONDITION B, EXCEPT 85°C HIGH TEMP
 OPERATING TEMPERATURE: -65°C TO 165°C
 CORROSION: MIL-STD-202, METHOD 101, CONDITION B
 SHOCK: MIL-STD-202, METHOD 213, CONDITION I
 VIBRATION: MIL-STD-202, METHOD 204, CONDITION B
 MOISTURE RESISTANCE: MIL-STD-202, METHOD 106



CABLE STRIP DIMENSIONS
NOT TO SCALE

CUSTOMER DRAWING

THIS DRAWING TO BE INTERPRETED PER ASME Y 14.5M - 1994

"μ STATION"

COMPANY CONFIDENTIAL

| TOLERANCE UNLESS OTHERWISE SPECIFIED | | DRAWN BY | DATE |
|--------------------------------------|----|--------------|-----------|
| DECIMALS | mm | PAT | 1-4-06 |
| .XX | | CHECKED BY | DATE |
| .XXX REF | | PDW | 4-6-06 |
| MATL | | APPROVED BY | DATE |
| | | JRK | 4-6-06 |
| FINISH | | RELEASE DATE | 4-7-06 |
| | | U/M INCH | SCALE 5:1 |

cinch Connectivity Solutions
a bel group

Cinch Connectivity Solutions
P.O. Box 1732
Waseca, MN 56093
1-800-247-8256

TITLE: RIGHT ANGLE CRIMP PLUG, TYPE N CONNECTOR, RG214 FLEXIBLE CABLED

SHEET 2 OF 2 DRAWING NO. C - 138-4418-101/110