



Chipsmall Limited consists of a professional team with an average of over 10 year of expertise in the distribution of electronic components. Based in Hongkong, we have already established firm and mutual-benefit business relationships with customers from,Europe,America and south Asia,supplying obsolete and hard-to-find components to meet their specific needs.

With the principle of “Quality Parts,Customers Priority,Honest Operation,and Considerate Service”,our business mainly focus on the distribution of electronic components. Line cards we deal with include Microchip,ALPS,ROHM,Xilinx,Pulse,ON,Everlight and Freescale. Main products comprise IC,Modules,Potentiometer,IC Socket,Relay,Connector.Our parts cover such applications as commercial,industrial, and automotives areas.

We are looking forward to setting up business relationship with you and hope to provide you with the best service and solution. Let us make a better world for our industry!



## Contact us

Tel: +86-755-8981 8866 Fax: +86-755-8427 6832

Email & Skype: info@chipsmall.com Web: www.chipsmall.com

Address: A1208, Overseas Decoration Building, #122 Zhenhua RD., Futian, Shenzhen, China



PART NUMBER 138-4593-401	ITEM ① BODY BRASS TRI-ALLOY PL .0001 MIN	ITEM ② STEM BRASS GOLD PL .00001 MIN OVER NICKEL PL .00005 MIN OVER COPPER PL .00005 MIN	ITEM ③ CONTACT BERYLLIUM COPPER GOLD PL .00005 MIN OVER NICKEL PL .00005 MIN OVER COPPER PL .00005 MIN	ITEM ④ REAR INSULATOR TEFLON	ITEM ⑤ FRONT INSULATOR TEFLON	ITEM ⑥ O-RING SILICONE RUBBER	ITEM ⑦ LOCKWASHER STEEL TRI-ALLOY .0001 MIN	ITEM ⑧ MOUNTING NUT BRASS NICKEL PL .0001 MIN OVER COPPER PL .00005 MIN
-----------------------------	---	---	---	------------------------------------	-------------------------------------	--	--	---

DRAWING NO.  
C - 138-4593-401/410

0 REVISIONS

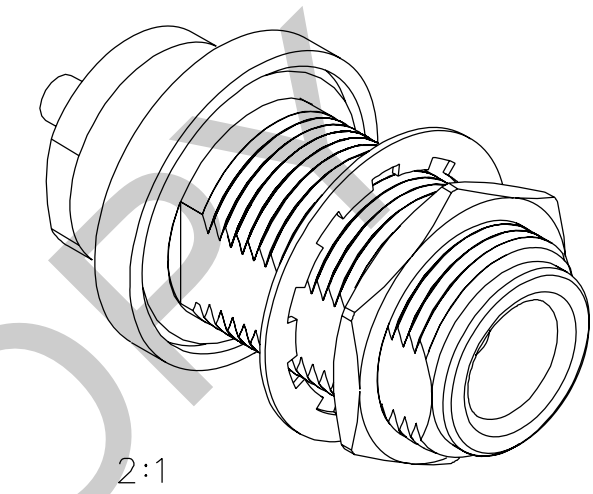
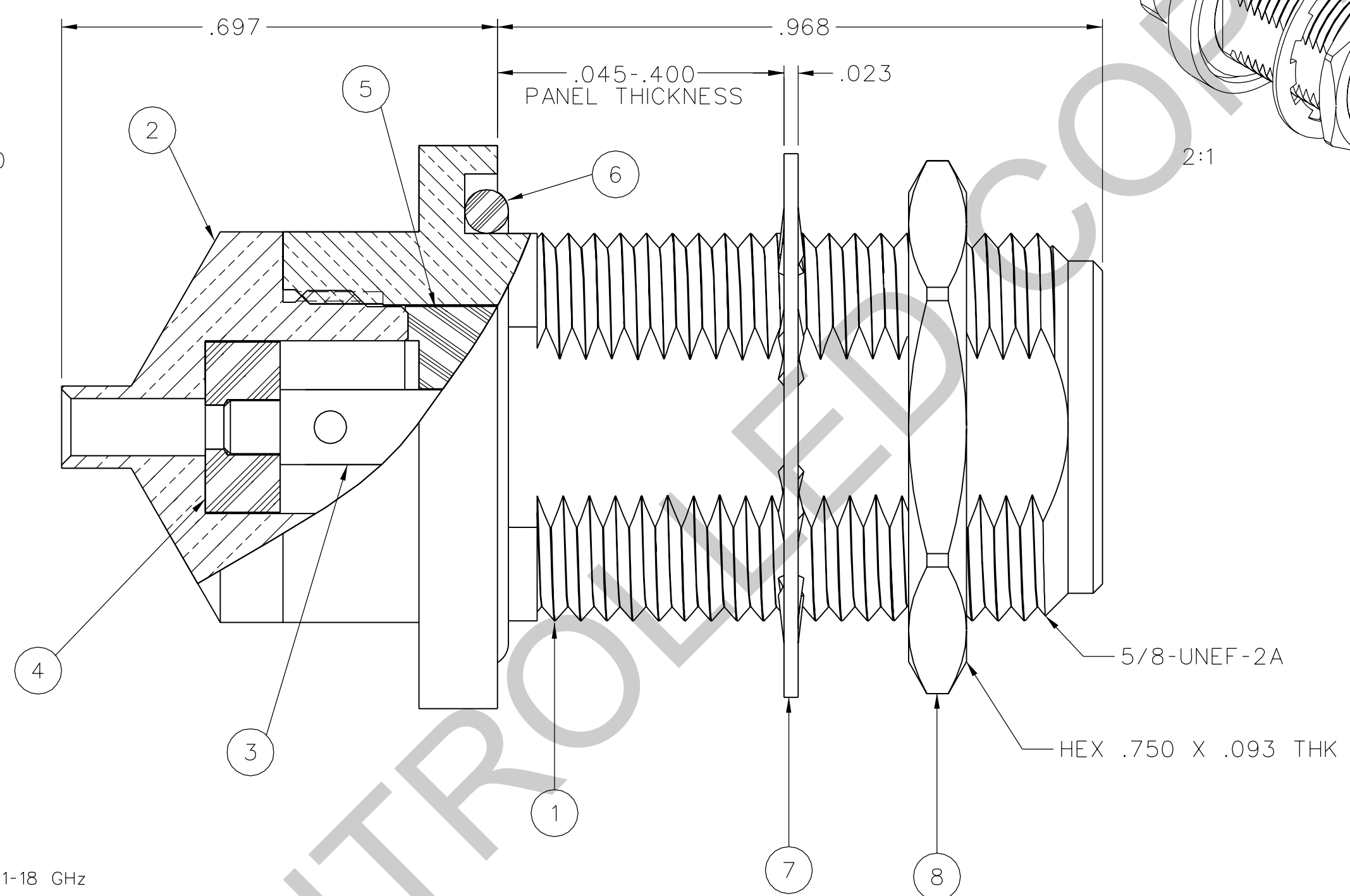
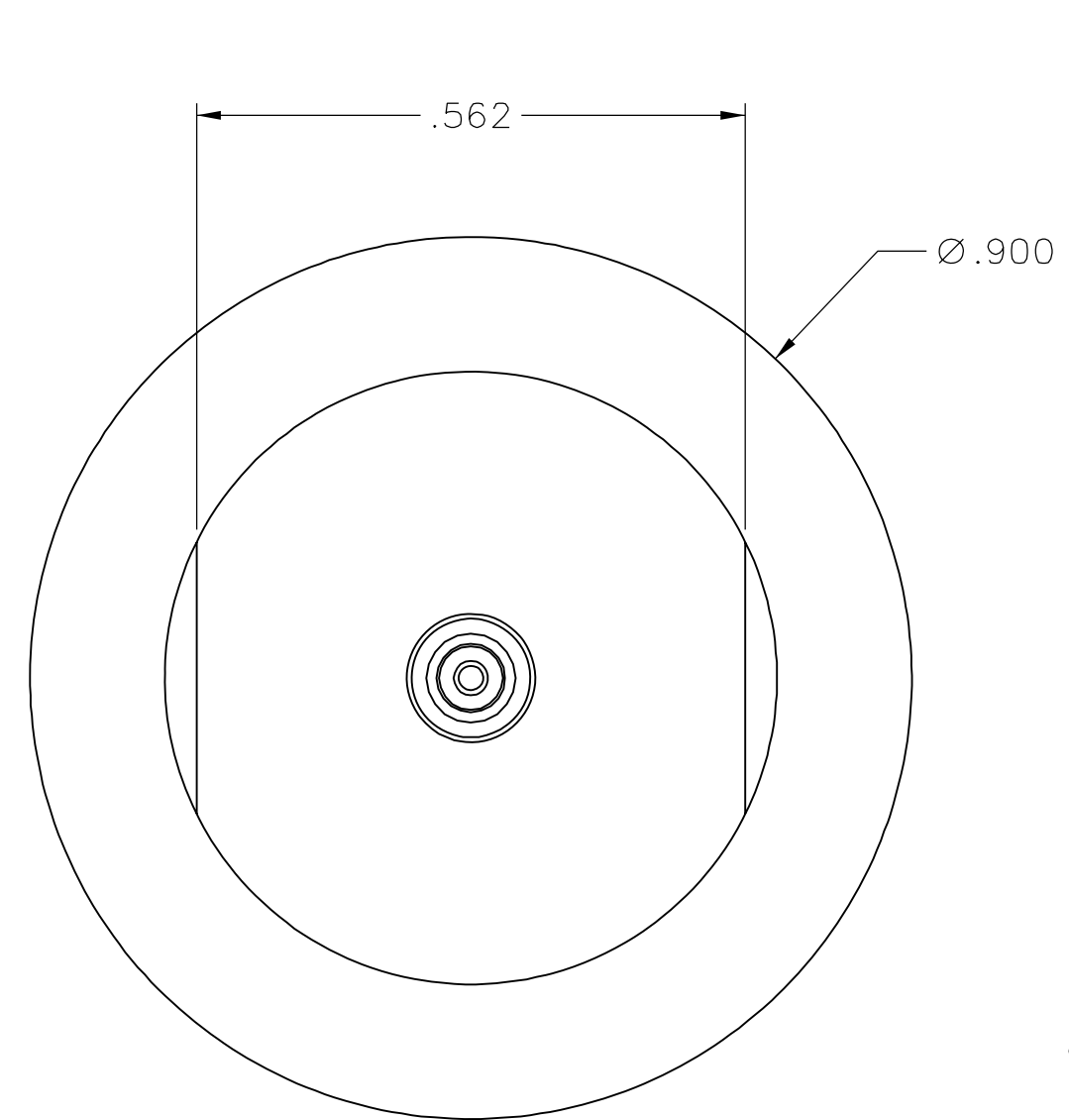
ENGINEERING RELEASE  
1 12-21-05 P A J P M T R K D W U 4-12-06 ECN 50131

.045-.400 WAS .045-.125  
\* REVISION NUMBER FOLLOWED BY AN ALPHA \*  
\* CHARACTER INDICATES DRAWING CLARIFI- \*  
\* CATION OR PART NUMBER ADDITION ONLY. \*

1a 9-15-06 P A J P M T R K D W U 9-21-06 ECN 50630

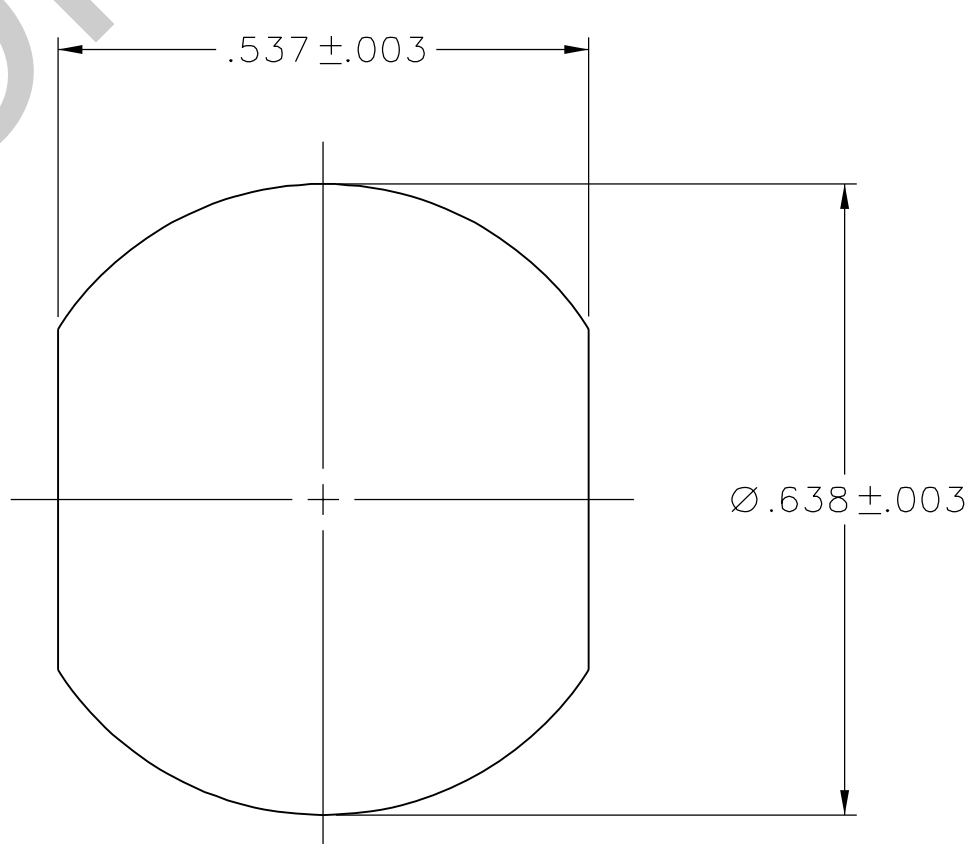
LOCKWASHER TRI-ALLOY WAS ZINC  
\* REVISION NUMBER FOLLOWED BY AN ALPHA \*  
\* CHARACTER INDICATES DRAWING CLARIFI- \*  
\* CATION OR PART NUMBER ADDITION ONLY. \*

1b 2-8-07 P A J P M T R K D W U 2-15-07 ECN 50939

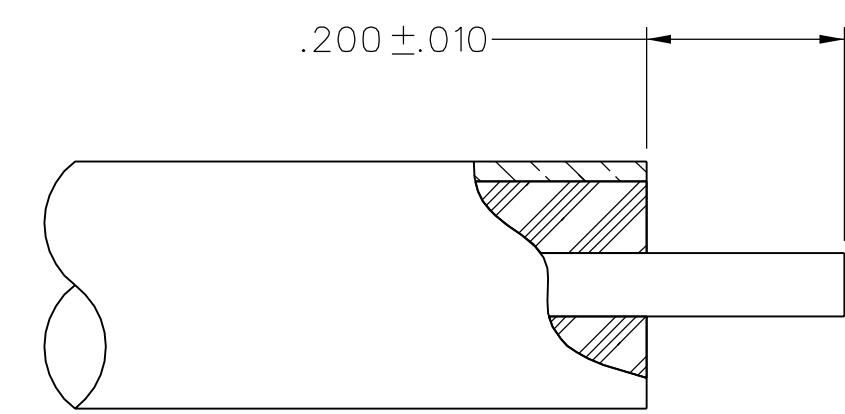


NOTES:

1. SPECIFICATIONS:
- IMPEDANCE: 50 OHMS
  - FREQUENCY RANGE: 0-18 GHz
  - VSWR: 1.15+.02F (GHz) MAX AT 0-11 GHz, TYPICALLY < 1.50 AT 11-18 GHz
  - WORKING VOLTAGE: 335 VRMS MAX AT SEA LEVEL
  - DIELECTRIC WITHSTANDING VOLTAGE: 1000 VRMS MIN AT SEA LEVEL
  - INSULATION RESISTANCE: 5000 MEGOHM MIN
  - CONTACT RESISTANCE:
    - CENTER CONTACT - INITIAL 1.0 MILLIOHM MAX, AFTER ENVIRONMENTAL 1.5 MILLIOHM MAX
    - OUTER CONDUCTOR - INITIAL 0.2 MILLIOHM MAX, AFTER ENVIRONMENTAL NOT APPLICABLE
  - CORONA LEVEL: 250 VOLTS MIN AT 70,000 FEET
  - INSERTION LOSS: .05√F (GHz), TESTED AT 9 GHz
  - RF LEAKAGE: -90 dB MIN AT 2 TO 3 GHz
  - RF HIGH POTENTIAL WITHSTANDING VOLTAGE: 670 VRMS AT 4 AND 7 MHz
  - THIRD ORDER INTERMODULATION PRODUCT (IMP3): TYPICALLY < -90 dBm (TESTED PER IEC GUIDELINES WITH 20W CW INPUTS AT 1930-1990 MHz)
- MECHANICAL:
- ENGAGE/DISENGAGE TORQUE: 6 IN-LBS MAX
  - MATING TORQUE: 7-10 IN-LBS
  - COUPLING PROOF TORQUE: NOT APPLICABLE
  - COUPLING NUT RETENTION: NOT APPLICABLE
  - CONTACT RETENTION: NOT APPLICABLE
  - CABLE ACCEPTABILITY: RG 405, .086 OD SEMIRIGID
  - CABLE HEX CRIMP SIZE: NOT APPLICABLE
  - CABLE RETENTION: 30 LBS MIN AXIAL FORCE  
16 IN-OZ MIN TORQUE
  - DURABILITY: 500 CYCLES MIN
- ENVIRONMENTAL:
- (MEETS OR EXCEEDS THE APPLICABLE PARAGRAPH OF MIL-PRF-39012)
  - THERMAL SHOCK: MIL-STD-202, METHOD 107, CONDITION B, EXCEPT 85°C HIGH TEMP
  - OPERATING TEMPERATURE: -65°C TO 165°C
  - CORROSION: MIL-STD-202, METHOD 101, CONDITION B
  - SHOCK: MIL-STD-202, METHOD 213, CONDITION I
  - VIBRATION: MIL-STD-202, METHOD 204, CONDITION B
  - MOISTURE RESISTANCE: MIL-STD-202, METHOD 106



MOUNTING HOLE



CABLE STRIP DIMENSIONS  
NOT TO SCALE

CUSTOMER DRAWING

THIS DRAWING TO BE INTERPRETED PER ASME Y 14.5M - 1994

"μ STATION"

COMPANY CONFIDENTIAL

TOLERANCE UNLESS OTHERWISE SPECIFIED	DRAWN BY JRK	DATE 11-7-05
DECIMALS	CHECKED BY PDW	DATE 4-11-06
.XX	APPROVED BY JRK	DATE 4-11-06
.XXX REF	RELEASE DATE	4-12-06
MATL	U/M	INCH
FINISH	SCALE	5:1

**cinch** Connectivity Solutions  
P.O. Box 1732  
Waseca, MN 56093  
1-800-247-8256

TITLE  
ASSEMBLY, TYPE N  
BULKHEAD JACK  
RG405 (.086) S/R

SHEET 2 OF 2  
DRAWING NO.  
C - 138-4593-401/410