



Chipsmall Limited consists of a professional team with an average of over 10 year of expertise in the distribution of electronic components. Based in Hongkong, we have already established firm and mutual-benefit business relationships with customers from,Europe,America and south Asia,supplying obsolete and hard-to-find components to meet their specific needs.

With the principle of “Quality Parts,Customers Priority,Honest Operation,and Considerate Service”,our business mainly focus on the distribution of electronic components. Line cards we deal with include Microchip,ALPS,ROHM,Xilinx,Pulse,ON,Everlight and Freescale. Main products comprise IC,Modules,Potentiometer,IC Socket,Relay,Connector.Our parts cover such applications as commercial,industrial, and automotives areas.

We are looking forward to setting up business relationship with you and hope to provide you with the best service and solution. Let us make a better world for our industry!



## Contact us

Tel: +86-755-8981 8866 Fax: +86-755-8427 6832

Email & Skype: info@chipsmall.com Web: www.chipsmall.com

Address: A1208, Overseas Decoration Building, #122 Zhenhua RD., Futian, Shenzhen, China



ITEM ① PART NUMBER 138-4596-401	ITEM ② BODY BRASS TRI-ALLOY PL .0001 MIN	ITEM ③ STEM BRASS GOLD PL .00001 MIN OVER NICKEL PL .00005 MIN OVER COPPER PL .00005 MIN	ITEM ④ CONTACT BERYLLIUM COPPER GOLD PL .00005 MIN OVER NICKEL PL .00005 MIN OVER COPPER PL .00005 MIN	ITEM ⑤ REAR INSULATOR TEFLON	ITEM ⑥ FRONT INSULATOR TEFLON	ITEM ⑦ O-RING SILICONE RUBBER	ITEM ⑧ LOCKWASHER STEEL TRI-ALLOY .0001 MIN	ITEM ⑨ MOUNTING NUT BRASS NICKEL PL .0001 MIN OVER COPPER PL .00005 MIN
---------------------------------------	---	---	---	------------------------------------	-------------------------------------	--	--	---

DRAWING NO.  
C - 138-4596-401/410

0 REVISIONS

ENGINEERING RELEASE

1	12-21-05	P A T	J R K	P D W	M J U	4-7-06 ECN 50129
---	----------	-------------	-------------	-------------	-------------	---------------------

.045-.400 WAS .045-.125

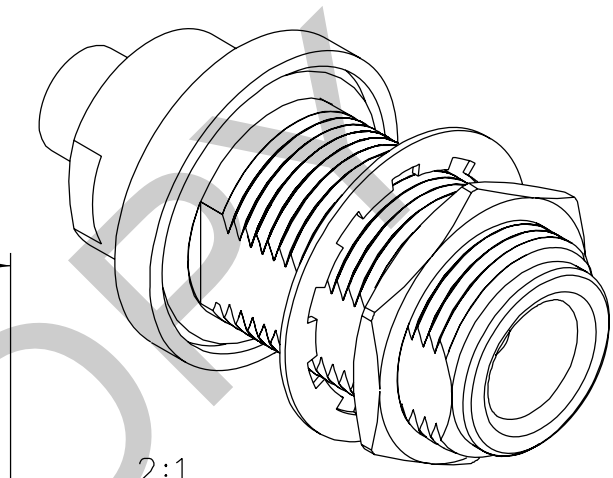
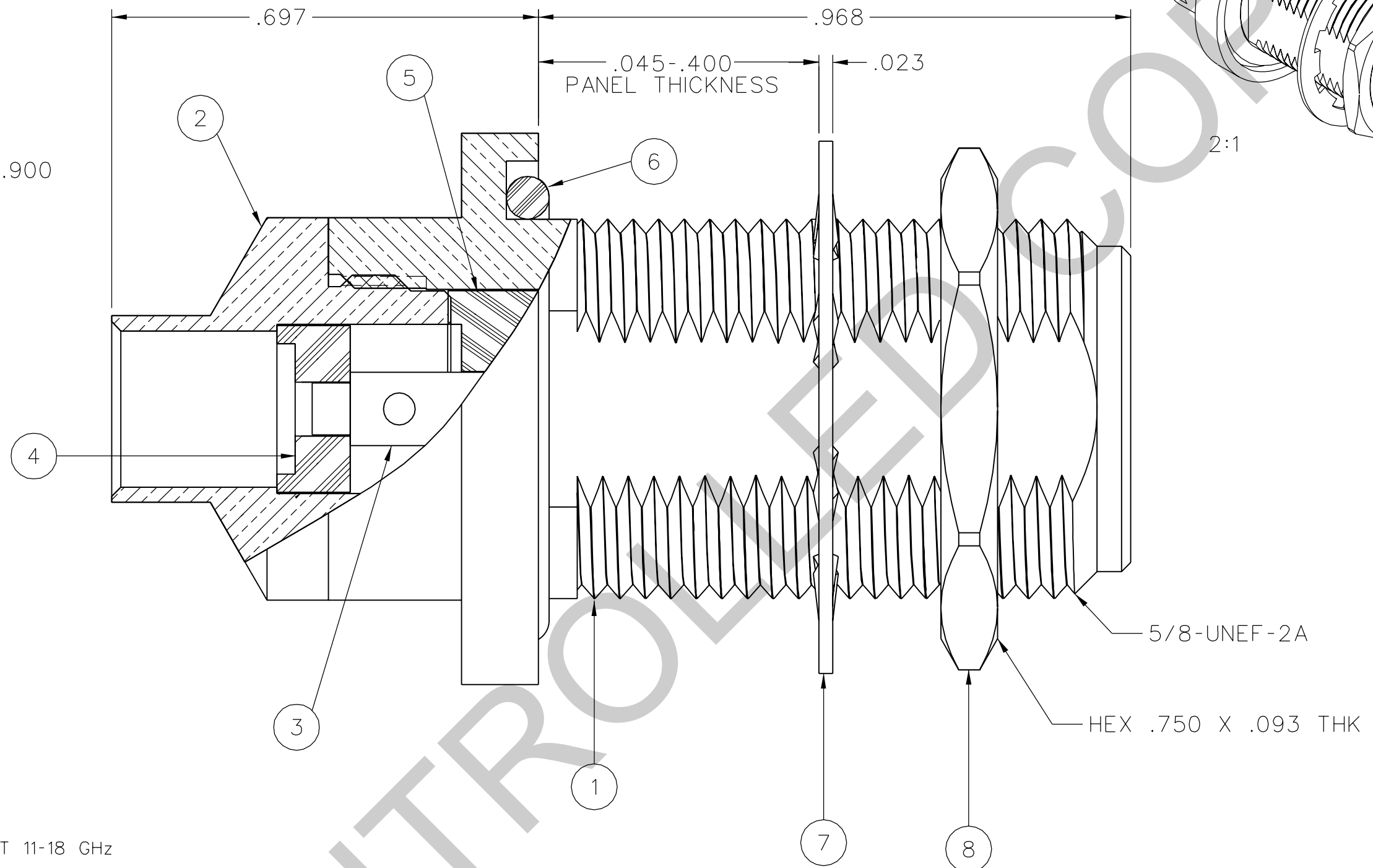
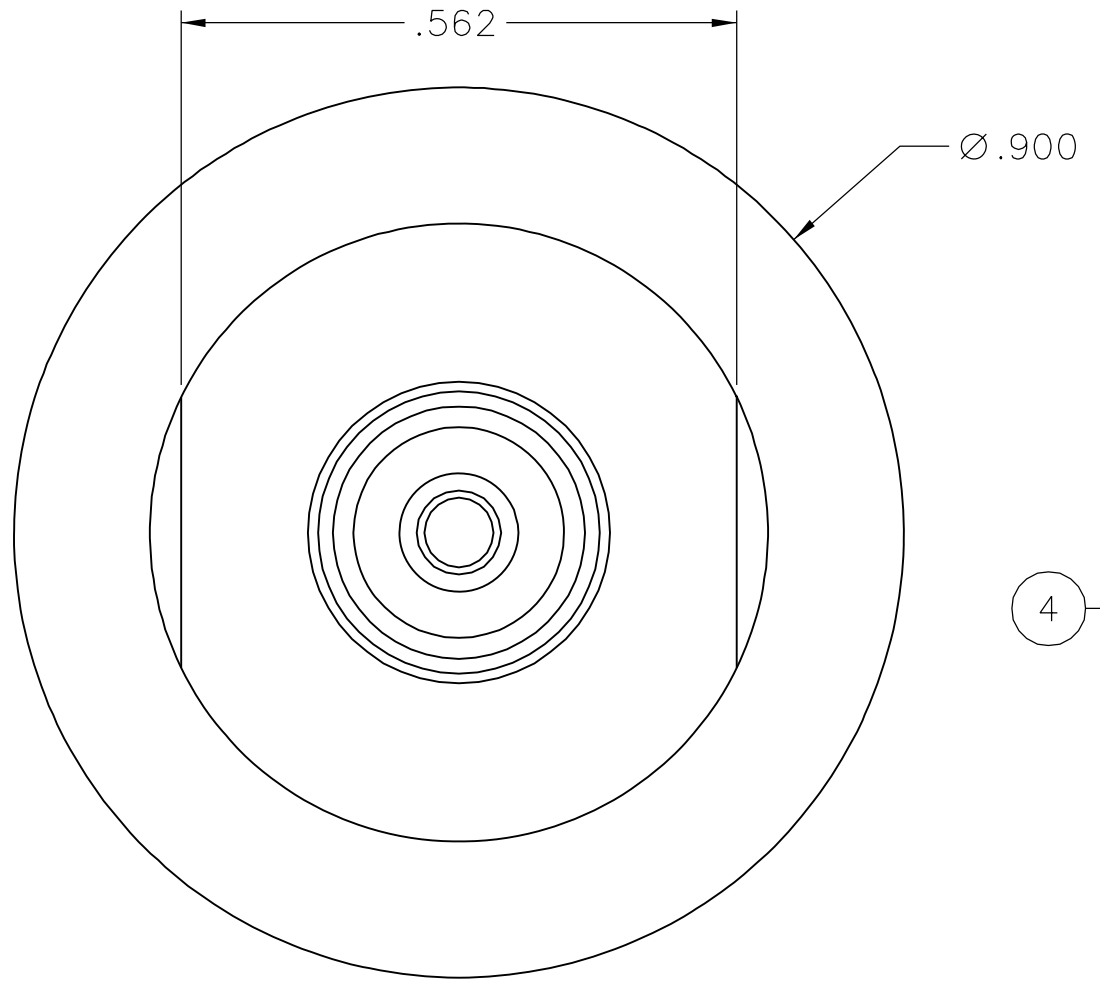
\* REVISION NUMBER FOLLOWED BY AN ALPHA \*  
\* CHARACTER INDICATES DRAWING CLARIFI- \*  
\* CATION OR PART NUMBER ADDITION ONLY. \*

1a	9-15-06	P A T	J R K	P D W	M J U	9-21-06 ECN 50628
----	---------	-------------	-------------	-------------	-------------	----------------------

LOCKWASHER TRI-ALLOY WAS ZINC

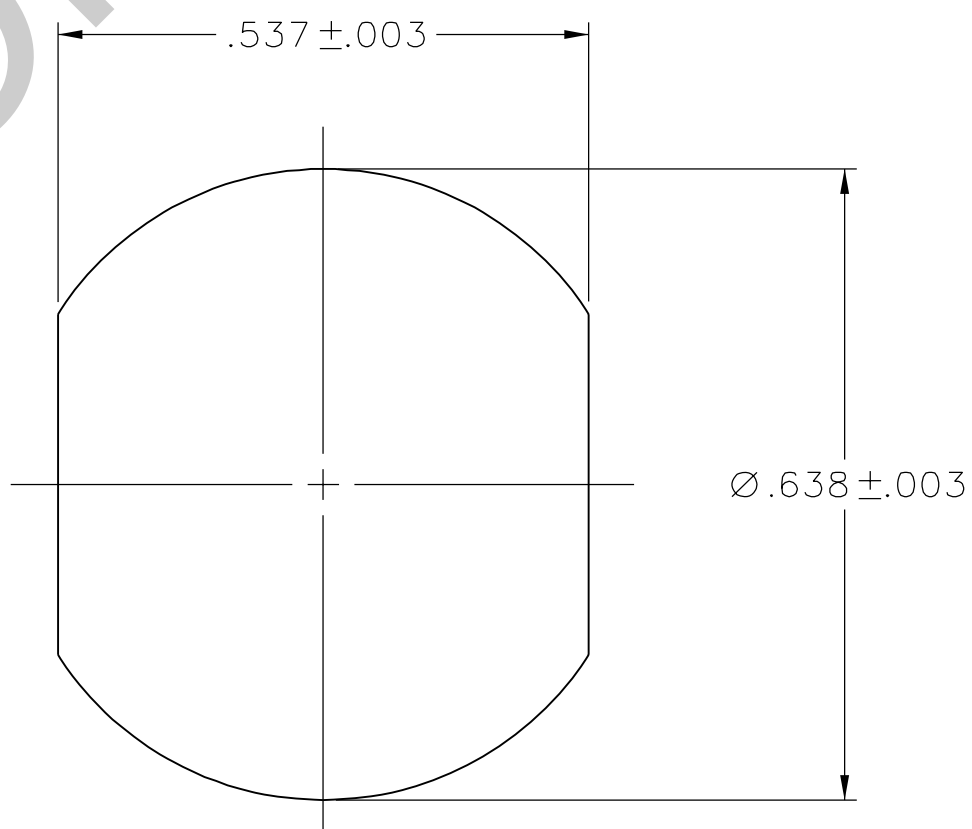
\* REVISION NUMBER FOLLOWED BY AN ALPHA \*  
\* CHARACTER INDICATES DRAWING CLARIFI- \*  
\* CATION OR PART NUMBER ADDITION ONLY. \*

1b	2-8-07	P A T	J R K	P D W	M J U	2-15-07 ECN 50941
----	--------	-------------	-------------	-------------	-------------	----------------------

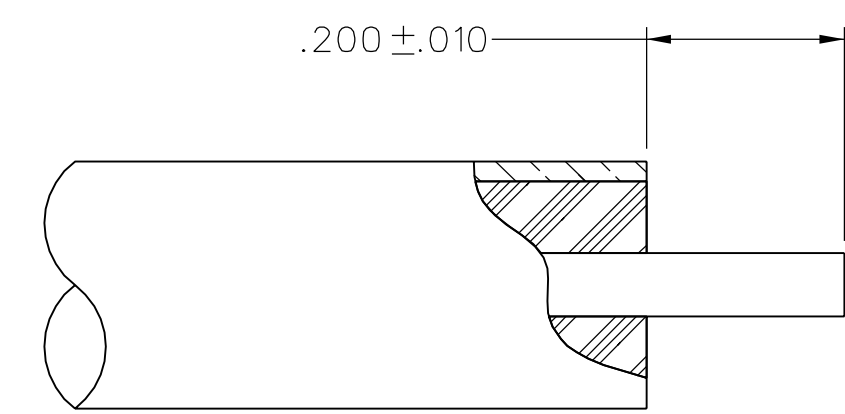


NOTES:

1. SPECIFICATIONS:
- IMPEDANCE: 50 OHMS  
 FREQUENCY RANGE: 0-18 GHz  
 VSWR: 1.10+.02F (GHz) MAX AT 0-11 GHz, TYPICALLY < 1.50 AT 11-18 GHz  
 WORKING VOLTAGE: 1000 VRMS MAX AT SEA LEVEL  
 DIELECTRIC WITHSTANDING VOLTAGE: 2500 VRMS MIN AT SEA LEVEL  
 INSULATION RESISTANCE: 5000 MEGOHM MIN  
 CONTACT RESISTANCE:  
 CENTER CONTACT - INITIAL 1.0 MILLIOHM MAX, AFTER ENVIRONMENTAL 1.5 MILLIOHM MAX  
 OUTER CONDUCTOR - INITIAL 0.2 MILLIOHM MAX, AFTER ENVIRONMENTAL NOT APPLICABLE
- CORONA LEVEL: 500 VOLTS MIN AT 70,000 FEET  
 INSERTION LOSS: .05√F (GHz), TESTED AT 9 GHz  
 RF LEAKAGE: -90 dB MIN AT 2 TO 3 GHz  
 RF HIGH POTENTIAL WITHSTANDING VOLTAGE: 1500 VRMS AT 4 AND 7 MHz  
 THIRD ORDER INTERMODULATION PRODUCT (IMP3): TYPICALLY < -90 dBm  
 (TESTED PER IEC GUIDELINES WITH 20W CW INPUTS AT 1930-1990 MHz)
- MECHANICAL:
- ENGAGE/DISENGAGE TORQUE: 6 IN-LBS MAX  
 MATING TORQUE: 7-10 IN-LBS  
 COUPLING PROOF TORQUE: NOT APPLICABLE  
 COUPLING NUT RETENTION: NOT APPLICABLE  
 CONTACT RETENTION: NOT APPLICABLE  
 CABLE ACCEPTABILITY: RG 401, .250 OD SEMIRIGID  
 CABLE HEX CRIMP SIZE: NOT APPLICABLE  
 CABLE RETENTION: 90 LBS MIN AXIAL FORCE  
 80 IN-OZ MIN TORQUE  
 DURABILITY: 500 CYCLES MIN
- ENVIRONMENTAL:
- (MEETS OR EXCEEDS THE APPLICABLE PARAGRAPH OF MIL-PRF-39012)  
 THERMAL SHOCK: MIL-STD-202, METHOD 107, CONDITION B, EXCEPT 85°C HIGH TEMP  
 OPERATING TEMPERATURE: -65°C TO 165°C  
 CORROSION: MIL-STD-202, METHOD 101, CONDITION B  
 SHOCK: MIL-STD-202, METHOD 213, CONDITION I  
 VIBRATION: MIL-STD-202, METHOD 204, CONDITION B  
 MOISTURE RESISTANCE: MIL-STD-202, METHOD 106



MOUNTING HOLE




CABLE STRIP DIMENSIONS  
NOT TO SCALE

CUSTOMER DRAWING

THIS DRAWING TO BE INTERPRETED PER ASME Y 14.5M - 1994

"μ STATION"

COMPANY CONFIDENTIAL

TOLERANCE UNLESS OTHERWISE SPECIFIED	DRAWN BY JRK	DATE 11-7-05	 <p>Cinch Connectivity Solutions P.O. Box 1732 Waseca, MN 56093 1-800-247-8256</p>
DECIMALS mm	CHECKED BY PDW	DATE 4-7-06	
.XX	APPROVED BY JRK	DATE 4-7-06	TITLE ASSEMBLY, TYPE N BULKHEAD JACK RG401 (.250) S/R
.XXX REF	RELEASE DATE 4-7-06	SHEET 2 OF 2	DRAWING NO. C - 138-4596-401/410
MATL	U/M INCH	SCALE 5:1	