



Chipsmall Limited consists of a professional team with an average of over 10 year of expertise in the distribution of electronic components. Based in Hongkong, we have already established firm and mutual-benefit business relationships with customers from,Europe,America and south Asia,supplying obsolete and hard-to-find components to meet their specific needs.

With the principle of “Quality Parts,Customers Priority,Honest Operation,and Considerate Service”,our business mainly focus on the distribution of electronic components. Line cards we deal with include Microchip,ALPS,ROHM,Xilinx,Pulse,ON,Everlight and Freescale. Main products comprise IC,Modules,Potentiometer,IC Socket,Relay,Connector.Our parts cover such applications as commercial,industrial, and automotives areas.

We are looking forward to setting up business relationship with you and hope to provide you with the best service and solution. Let us make a better world for our industry!



Contact us

Tel: +86-755-8981 8866 Fax: +86-755-8427 6832

Email & Skype: info@chipsmall.com Web: www.chipsmall.com

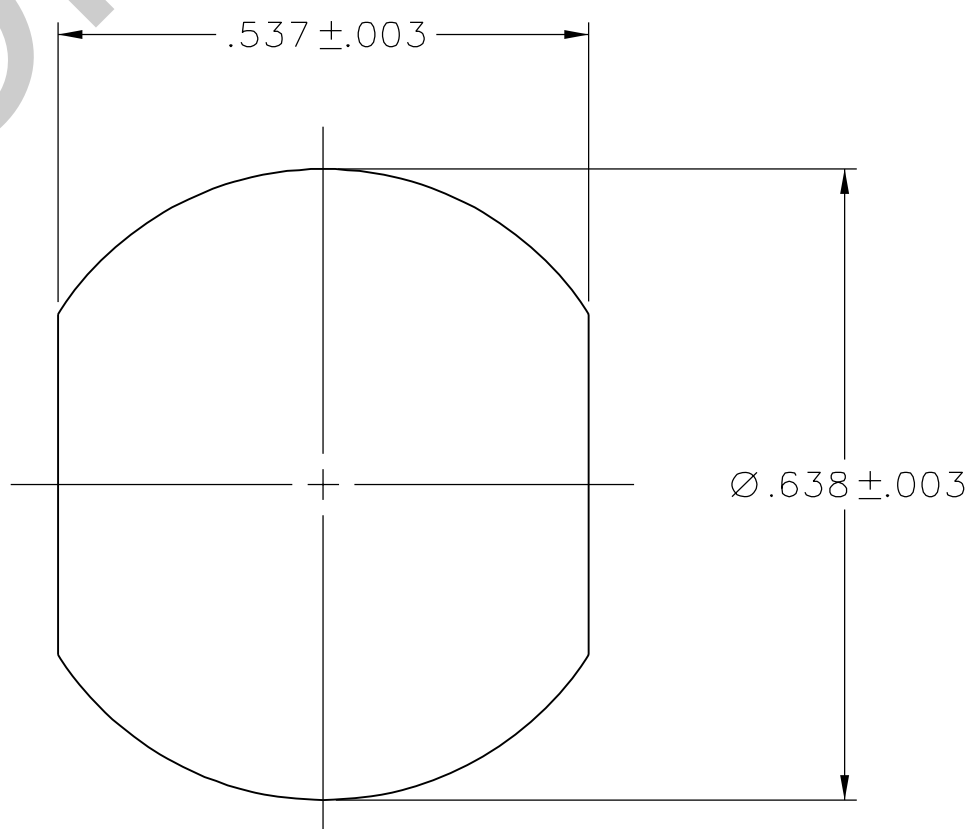
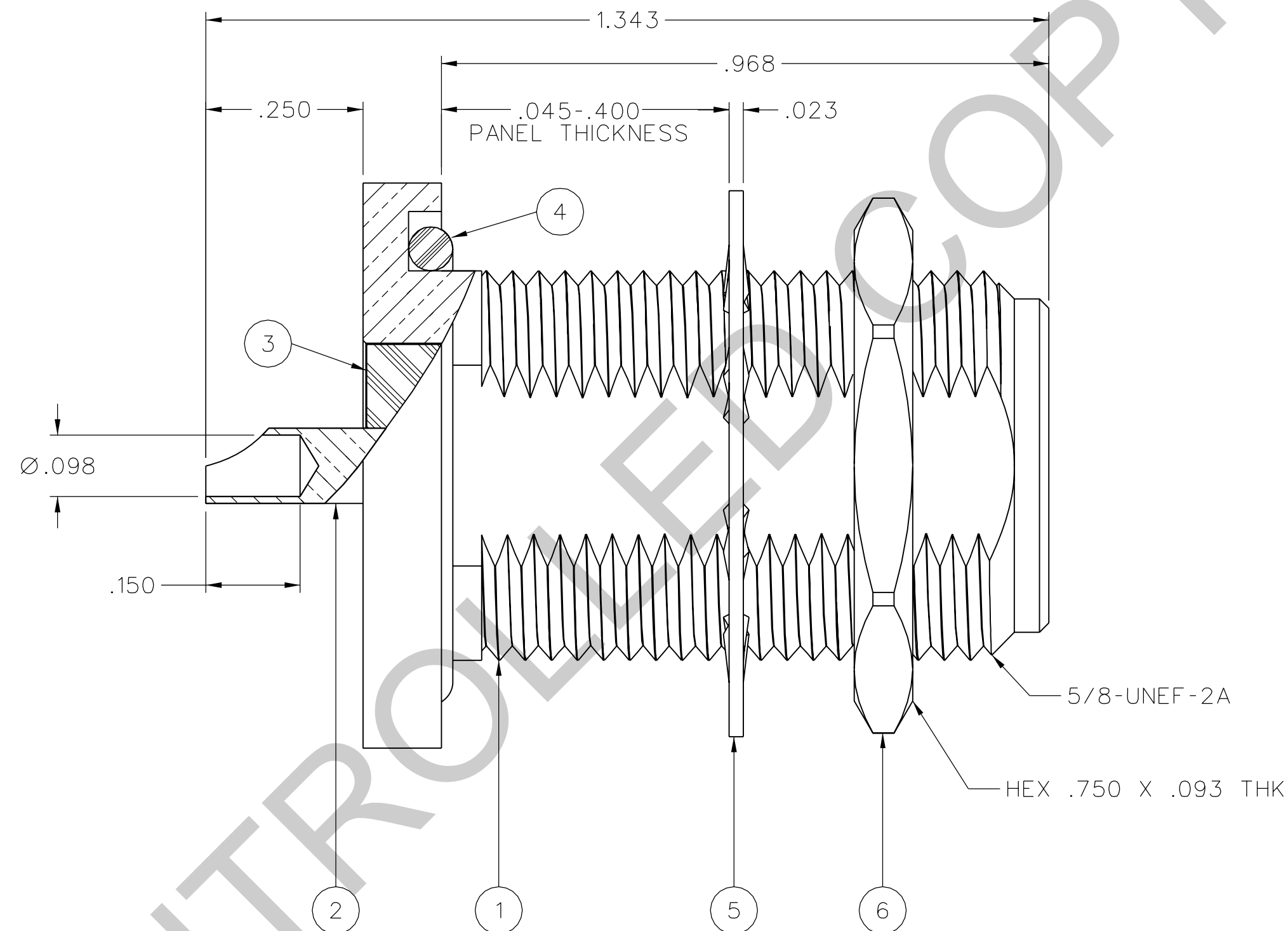
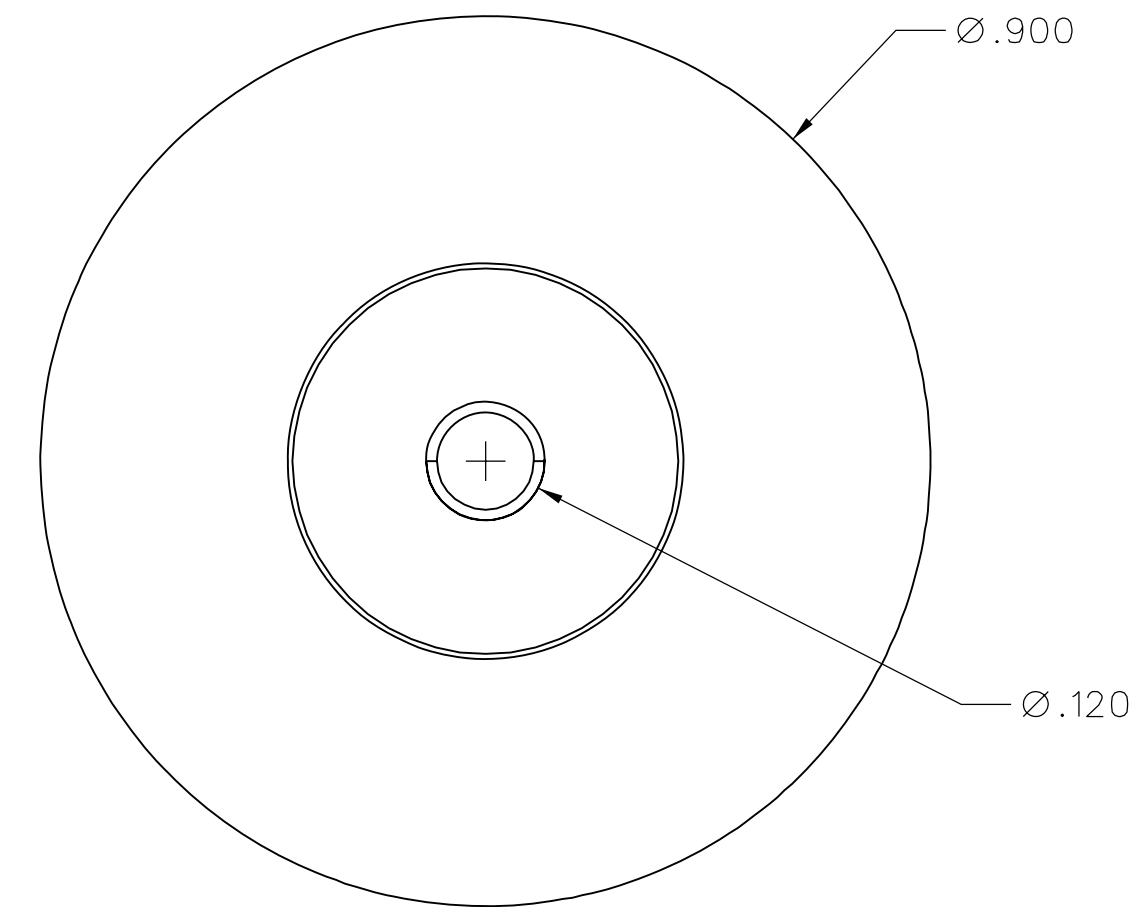
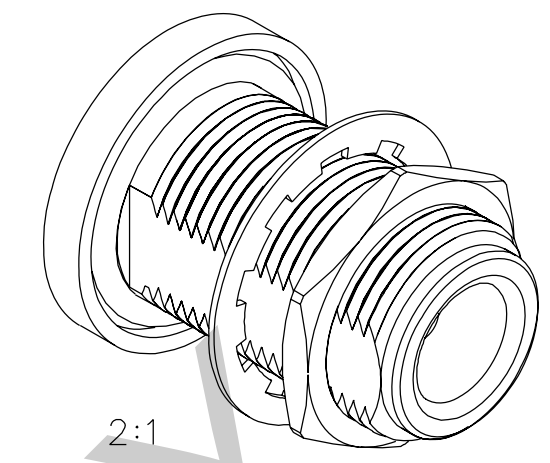
Address: A1208, Overseas Decoration Building, #122 Zhenhua RD., Futian, Shenzhen, China



PART NUMBER 138-4701-406	ITEM ① BODY BRASS NICKEL PL .0001 MIN OVER COPPER PL .00005 MIN	ITEM ② CONTACT BERYLLIUM COPPER GOLD PL .00005 MIN OVER NICKEL PL .00005 MIN OVER COPPER PL .00005 MIN	ITEM ③ FRONT INSULATOR TEFLON	ITEM ④ O-RING SILICONE RUBBER	ITEM ⑤ LOCKWASHER STEEL TRI-ALLOY .0001 MIN	ITEM ⑥ MOUNTING NUT BRASS NICKEL PL .0001 MIN OVER COPPER PL .00005 MIN
138-4701-407	BRASS TRI-ALLOY PL .0001 MIN	BERYLLIUM COPPER GOLD PL .00005 MIN OVER NICKEL PL .00005 MIN OVER COPPER PL .00005 MIN	TEFLON	SILICONE RUBBER	STEEL TRI-ALLOY .0001 MIN	BRASS NICKEL PL .0001 MIN OVER COPPER PL .00005 MIN

DRAWING NO.
C - 138-4701-401/410

0		REVISIONS	
ENGINEERING RELEASE			
1	2-27-06	P A T	J R K
		P D W	M J U
			5-23-06
			ECN 50310
.045-.400 WAS .045-.125			
* REVISION NUMBER FOLLOWED BY AN ALPHA *			
* CHARACTER INDICATES DRAWING CLARIFI-			
* CATION OR PART NUMBER ADDITION ONLY. *			
1a	9-15-06	P A T	J R K
		P D W	M J U
			9-21-06
			ECN 50627
LOCKWASHER TRI-ALLOY WAS ZINC			
* REVISION NUMBER FOLLOWED BY AN ALPHA *			
* CHARACTER INDICATES DRAWING CLARIFI-			
* CATION OR PART NUMBER ADDITION ONLY. *			
1b	2-8-07	P A T	J R K
		P D W	M J U
			2-15-07
			ECN 50942



NOTES:

1. SPECIFICATIONS:

IMPEDANCE: 50 OHMS
 FREQUENCY RANGE: 0-11 GHz
 VSWR: NOT APPLICABLE
 WORKING VOLTAGE: 1000 VRMS MAX AT SEA LEVEL
 DIELECTRIC WITHSTANDING VOLTAGE: 2500 VRMS MIN AT SEA LEVEL
 INSULATION RESISTANCE: 5000 MEGOHM MIN
 CONTACT RESISTANCE:
 CENTER CONTACT - INITIAL 1.0 MILLIOHM MAX, AFTER ENVIRONMENTAL 1.5 MILLIOHM MAX
 OUTER CONDUCTOR - INITIAL 0.2 MILLIOHM MAX, AFTER ENVIRONMENTAL NOT APPLICABLE
 CORONA LEVEL: 500 VOLTS MIN AT 70,000 FEET
 INSERTION LOSS: NOT APPLICABLE
 RF LEAKAGE: NOT APPLICABLE
 RF HIGH POTENTIAL WITHSTANDING VOLTAGE: 1000 VRMS AT 4 AND 7 MHz
 THIRD ORDER INTERMODULATION PRODUCT (IMP3): TYPICALLY < -90 dBm
 (TESTED PER IEC GUIDELINES WITH 20W CW INPUTS AT 1930-1990 MHz)

MECHANICAL:

ENGAGE/DISENGAGE TORQUE: 6 IN-LBS MAX
 MATING TORQUE: 7-10 IN-LBS
 COUPLING PROOF TORQUE: NOT APPLICABLE
 COUPLING NUT RETENTION: NOT APPLICABLE
 CONTACT RETENTION: 6 LBS MIN AXIAL FORCE
 4 INCH-OUNCE MIN TORQUE
 DURABILITY: 500 CYCLES MIN

ENVIRONMENTAL:


(MEETS OR EXCEEDS THE APPLICABLE PARAGRAPH OF MIL-PRF-39012)
 THERMAL SHOCK: MIL-STD-202, METHOD 107, CONDITION B,
 EXCEPT 85°C HIGH TEMP
 OPERATING TEMPERATURE: -65°C TO 165°C
 CORROSION: MIL-STD-202, METHOD 101, CONDITION B
 SHOCK: MIL-STD-202, METHOD 213, CONDITION I
 VIBRATION: MIL-STD-202, METHOD 204, CONDITION B
 MOISTURE RESISTANCE: MIL-STD-202, METHOD 106

CUSTOMER DRAWING

THIS DRAWING TO BE INTERPRETED
 PER ASME Y 14.5M - 1994

"μ STATION"

COMPANY CONFIDENTIAL

TOLERANCE UNLESS OTHERWISE SPECIFIED	DRAWN BY JRK	DATE 3-24-06	 Cinch <small>CONNECTIVITY SOLUTIONS</small> <small>a bel group</small>	Cinch Connectivity Solutions P.O. Box 1732 Waseca, MN 56093 1-800-247-8256
DECIMALS mm	CHECKED BY PDW	DATE 5-22-06		TITLE ASSEMBLY, TYPE N, REAR MOUNT BULKHEAD JACK
.XX _____	APPROVED BY JRK/MJU	DATE 5-22-06	SHEET 2 OF 2	DRAWING NO. C - 138-4701-401/410
.XXX REF _____	RELEASE DATE	5-23-06	U/M	INCH
MATL _____			SCALE	5:1
FINISH _____				