



Chipsmall Limited consists of a professional team with an average of over 10 year of expertise in the distribution of electronic components. Based in Hongkong, we have already established firm and mutual-benefit business relationships with customers from,Europe,America and south Asia,supplying obsolete and hard-to-find components to meet their specific needs.

With the principle of “Quality Parts,Customers Priority,Honest Operation,and Considerate Service”,our business mainly focus on the distribution of electronic components. Line cards we deal with include Microchip,ALPS,ROHM,Xilinx,Pulse,ON,Everlight and Freescale. Main products comprise IC,Modules,Potentiometer,IC Socket,Relay,Connector.Our parts cover such applications as commercial,industrial, and automotives areas.

We are looking forward to setting up business relationship with you and hope to provide you with the best service and solution. Let us make a better world for our industry!



Contact us

Tel: +86-755-8981 8866 Fax: +86-755-8427 6832

Email & Skype: info@chipsmall.com Web: www.chipsmall.com

Address: A1208, Overseas Decoration Building, #122 Zhenhua RD., Futian, Shenzhen, China



PART NUMBER	ITEM ① BODY	ITEM ② CONTACT	ITEM ③ SUPPORT BEAD	ITEM ④ O-RING	ITEM ⑤ LOCKWASHER	ITEM ⑥ MOUNTING NUT
138-4901-406	BRASS NICKEL PL .0001 MIN OVER COPPER PL .00005 MIN	BERYLLIUM COPPER GOLD PL .00005 MIN OVER NICKEL PL .00005 MIN OVER COPPER PL .00005 MIN	TEFLON DIELECTRIC BRASS HOUSING NICKEL PL .0001 MIN OVER COPPER PL .00005 MIN	SILICONE RUBBER	STEEL TRI-ALLOY .0001 MIN	BRASS NICKEL PL .0001 MIN OVER COPPER PL .00005 MIN
138-4901-407	BRASS TRI-ALLOY PL .0001 MIN	BERYLLIUM COPPER GOLD PL .00005 MIN OVER NICKEL PL .00005 MIN OVER COPPER PL .00005 MIN	TEFLON DIELECTRIC BRASS HOUSING NICKEL PL .0001 MIN OVER COPPER PL .00005 MIN	SILICONE RUBBER	STEEL TRI-ALLOY .0001 MIN	BRASS NICKEL PL .0001 MIN OVER COPPER PL .00005 MIN

DRAWING NO.
C - 138-4901-401/410

0 REVISIONS

ENGINEERING RELEASE

1	2-1-06	P A T	J R K	P M J	4-12-06
					ECN 50237

.045-.400 WAS .045-.125

* REVISION NUMBER FOLLOWED BY AN ALPHA *
* CHARACTER INDICATES DRAWING CLARIFI- *
* CATION OR PART NUMBER ADDITION ONLY. *

1a	9-15-06	P T	J R K	P M J	9-21-06
					ECN 50626

LOCKWASHER TRI-ALLOY WAS ZINC

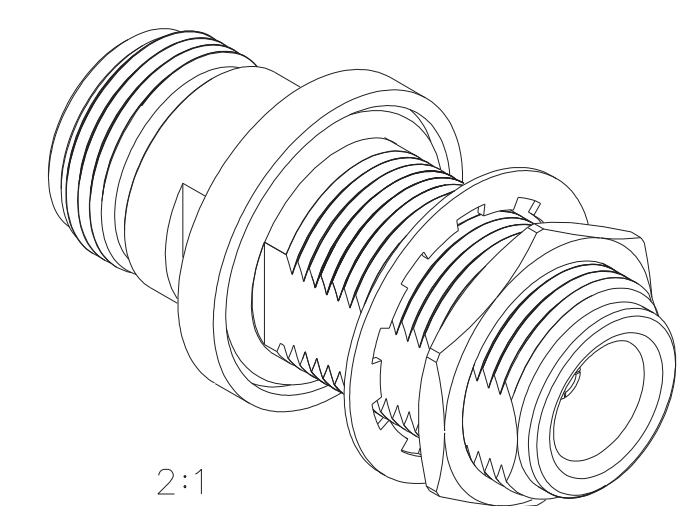
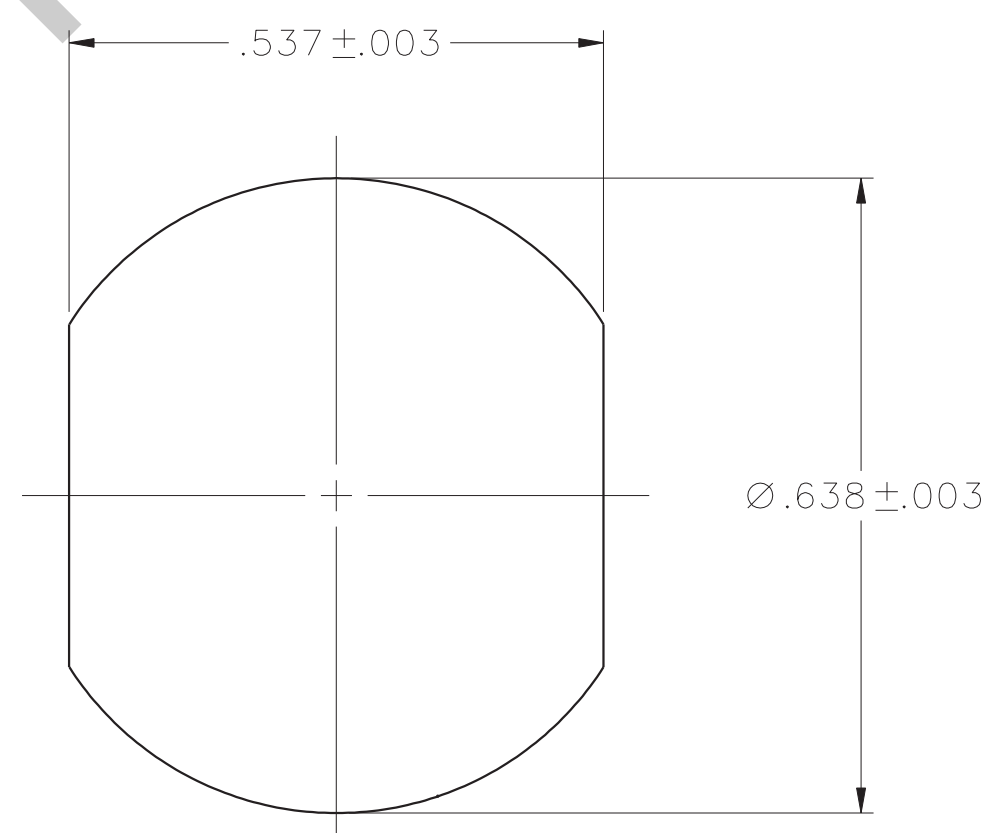
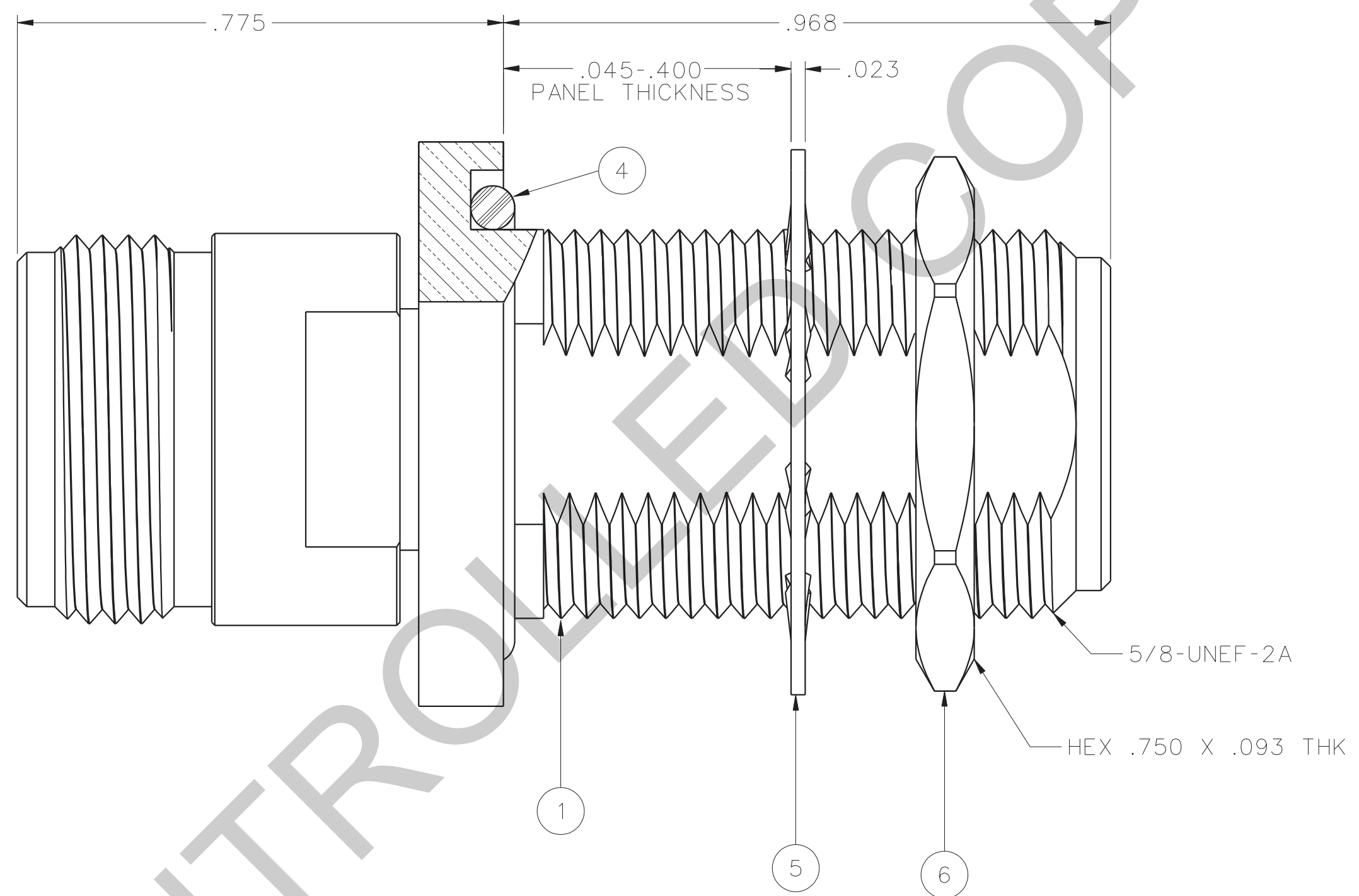
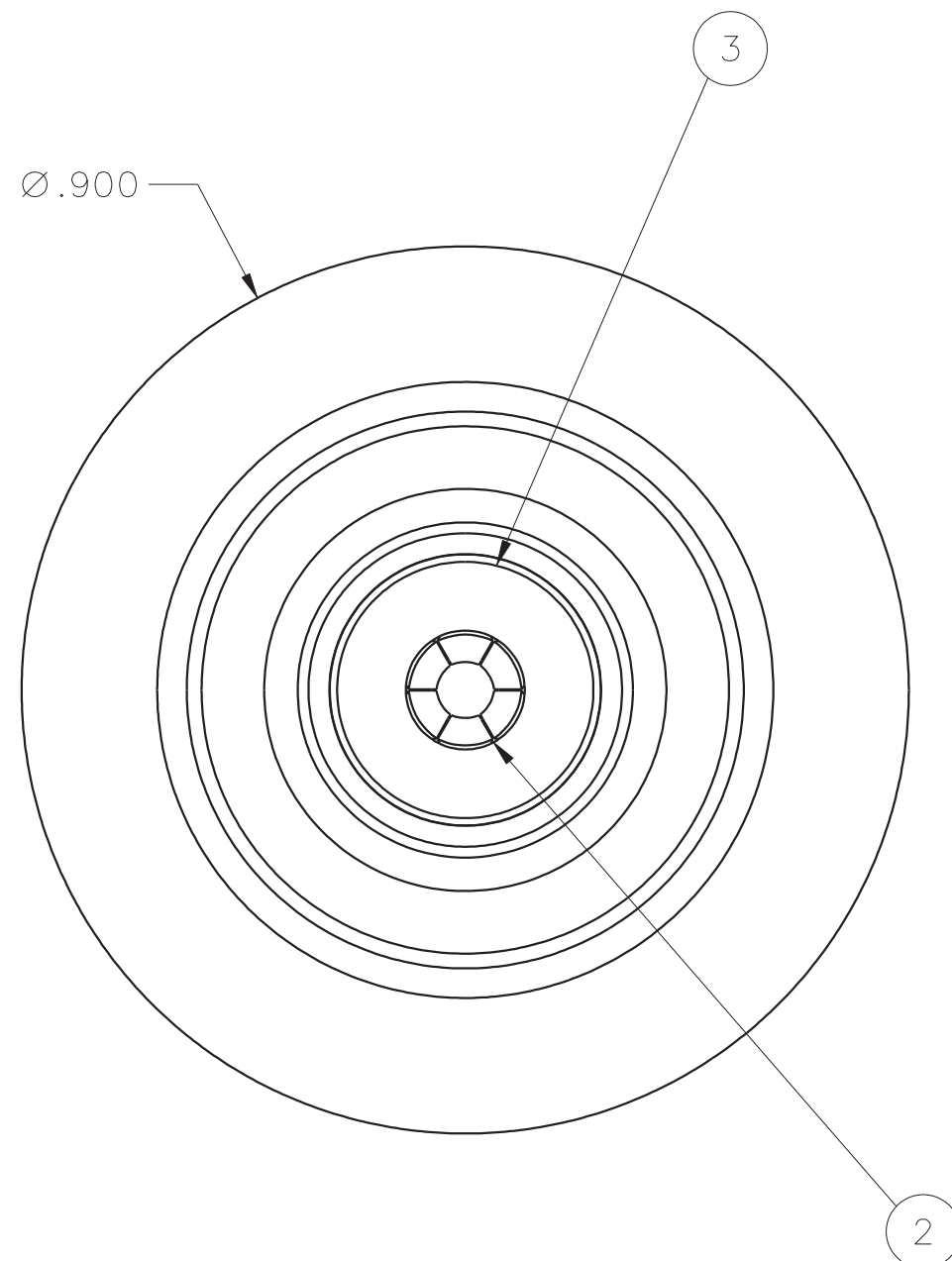
* REVISION NUMBER FOLLOWED BY AN ALPHA *
* CHARACTER INDICATES DRAWING CLARIFI- *
* CATION OR PART NUMBER ADDITION ONLY. *

1b	2-8-07	P T	J R K	P M J	2-15-07
					ECN 50943

VERSION UPDATE

* REVISION NUMBER FOLLOWED BY AN ALPHA *
* CHARACTER INDICATES DRAWING CLARIFI- *
* CATION OR PART NUMBER ADDITION ONLY. *

1c	2-15-10	C W	S D	J R	M J	2-15-10
					ECO 52127	



NOTES:

1. SPECIFICATIONS:

IMPEDANCE: 50 OHMS
 FREQUENCY RANGE: 0-18 GHz
 VSWR: 1.05+.01F (GHz) MAX AT 0-18 GHz
 WORKING VOLTAGE: 1000 VRMS MAX AT SEA LEVEL
 DIELECTRIC WITHSTANDING VOLTAGE: 2500 VRMS MIN AT SEA LEVEL
 INSULATION RESISTANCE: 5000 MEGOHM MIN
 CONTACT RESISTANCE:
 CENTER CONTACT - INITIAL 1.5 MILLIOHM MAX, AFTER ENVIRONMENTAL 2.0 MILLIOHM MAX
 OUTER CONDUCTOR - INITIAL 0.2 MILLIOHM MAX, AFTER ENVIRONMENTAL NOT APPLICABLE
 CORONA LEVEL: 500 VOLTS MIN AT 70,000 FEET
 INSERTION LOSS: .05 √F (GHz) dB MAX, TESTED AT 9 GHz
 RF LEAKAGE: -90 dB MIN AT 2 TO 3 GHz
 RF HIGH POTENTIAL WITHSTANDING VOLTAGE: 1500 VRMS AT 4 AND 7 MHz
 THIRD ORDER INTERMODULATION PRODUCT (IMP3): TYPICALLY < -90 dBm
 (TESTED PER IEC GUIDELINES WITH 20W CW INPUTS AT 1930-1990 MHz)

MECHANICAL:

ENGAGE/DISENGAGE TORQUE: 6 IN-LBS MAX
 MATING TORQUE: 7-10 IN-LBS
 COUPLING PROOF TORQUE: NOT APPLICABLE
 COUPLING NUT RETENTION: NOT APPLICABLE
 CONTACT RETENTION: 6 LBS MIN AXIAL FORCE
 DURABILITY: 500 CYCLES MIN

ENVIRONMENTAL:

(MEETS OR EXCEEDS THE APPLICABLE PARAGRAPH OF MIL-PRF-55339)
 THERMAL SHOCK: MIL-STD-202, METHOD 107, CONDITION C, EXCEPT 85°C HIGH TEMP
 OPERATING TEMPERATURE: -65°C TO 165°C
 CORROSION: MIL-STD-202, METHOD 101, CONDITION B
 SHOCK: MIL-STD-202, METHOD 213, CONDITION I
 VIBRATION: MIL-STD-202, METHOD 204, CONDITION B
 MOISTURE RESISTANCE: MIL-STD-202, METHOD 106

MOUNTING HOLE

CUSTOMER DRAWING

THIS DRAWING TO BE INTERPRETED PER ASME Y 14.5M - 1994

"μ STATION"

COMPANY CONFIDENTIAL

TOLERANCE UNLESS OTHERWISE SPECIFIED		DRAWN BY	DATE
DECIMALS	mm	JRK	1-30-06
.XX	_____	CHECKED BY	DATE
.XXX	REF _____	PDW	4-11-06
MATL	_____	APPROVED BY	DATE
		JRK	4-11-06
FINISH	_____	RELEASE DATE	4-12-06
		U/M INCH	SCALE 5:1

cinch CONNECTIVITY SOLUTIONS
a bel group

Cinch Connectivity Solutions
P.O. Box 1732
Waseca, MN 56093
1-800-247-8256

TITLE
ASSEMBLY, ADAPTER, TYPE N
JACK TO BULKHEAD JACK

SHEET 2 OF 2
DRAWING NO.
C - 138-4901-401/410