



Chipsmall Limited consists of a professional team with an average of over 10 year of expertise in the distribution of electronic components. Based in Hongkong, we have already established firm and mutual-benefit business relationships with customers from,Europe,America and south Asia,supplying obsolete and hard-to-find components to meet their specific needs.

With the principle of “Quality Parts,Customers Priority,Honest Operation,and Considerate Service”,our business mainly focus on the distribution of electronic components. Line cards we deal with include Microchip,ALPS,ROHM,Xilinx,Pulse,ON,Everlight and Freescale. Main products comprise IC,Modules,Potentiometer,IC Socket,Relay,Connector.Our parts cover such applications as commercial,industrial, and automotives areas.

We are looking forward to setting up business relationship with you and hope to provide you with the best service and solution. Let us make a better world for our industry!



## Contact us

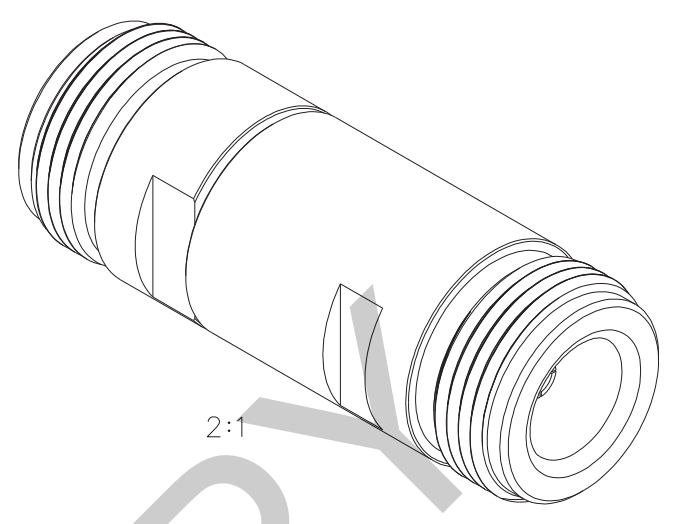
Tel: +86-755-8981 8866 Fax: +86-755-8427 6832

Email & Skype: info@chipsmall.com Web: www.chipsmall.com

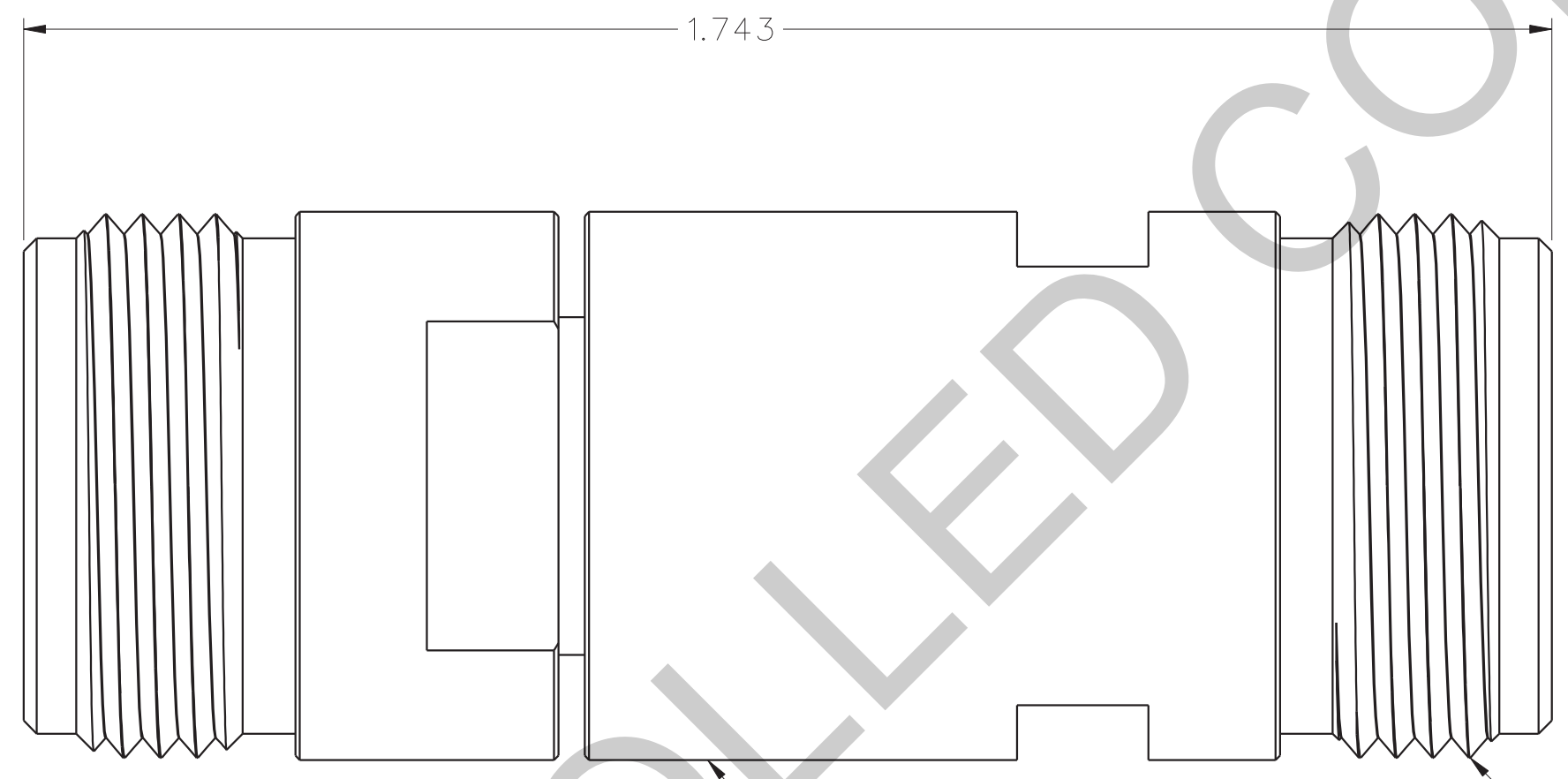
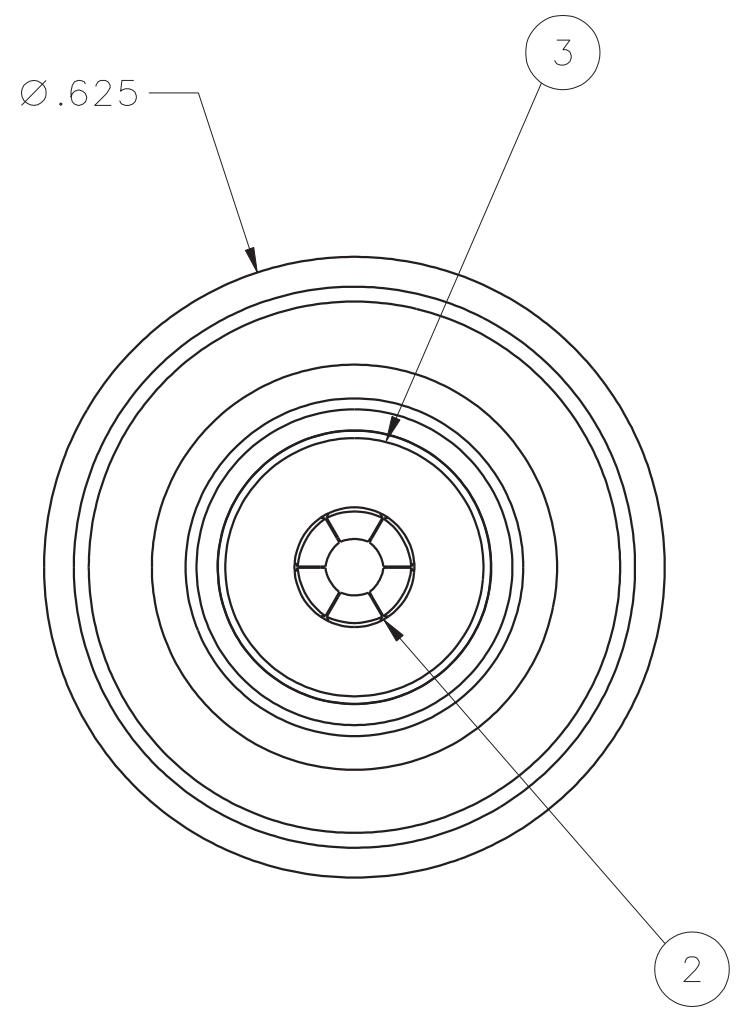
Address: A1208, Overseas Decoration Building, #122 Zhenhua RD., Futian, Shenzhen, China



DRAWING NO.		C - 138-4901-801/810	
0		REVISIONS	
ENGINEERING RELEASE			
1	2-1-06	P A T	J R K
		P D W	M J U
			4-7-06 ECN 50238
VERSION UPDATE			
*****			
* REVISION NUMBER FOLLOWED BY AN ALPHA *			
* CHARACTER INDICATES DRAWING CLARIFI-			
* CATION OR PART NUMBER ADDITION ONLY.			
*****			
1a	2-15-10	C W W	S D J
		J R K	M J U
			2-15-10 ECO 52128



PART NUMBER	ITEM ① BODY	ITEM ② CONTACT	ITEM ③ SUPPORT BEAD
138-4901-806	BRASS NICKEL PL .0001 MIN OVER COPPER PL .00005 MIN	BERYLLIUM COPPER GOLD PL .00005 MIN OVER NICKEL PL .00005 MIN OVER COPPER PL .00005 MIN	TEFLON DIELECTRIC BRASS HOUSING NICKEL PL .0001 MIN OVER COPPER PL .00005 MIN
138-4901-807	BRASS TRI-ALLOY PL .0001 MIN	BERYLLIUM COPPER GOLD PL .00005 MIN OVER NICKEL PL .00005 MIN OVER COPPER PL .00005 MIN	TEFLON DIELECTRIC BRASS HOUSING NICKEL PL .0001 MIN OVER COPPER PL .00005 MIN



2:1

2X 5/8-UNEF-2A

NOTES:

- SPECIFICATIONS:
  - IMPEDANCE: 50 OHMS
  - FREQUENCY RANGE: 0-18 GHz
  - VSWR: 1.05+.01F (GHz) MAX AT 0-18 GHz
  - WORKING VOLTAGE: 1000 VRMS MAX AT SEA LEVEL
  - DIELECTRIC WITHSTANDING VOLTAGE: 2500 VRMS MIN AT SEA LEVEL
  - INSULATION RESISTANCE: 5000 MEGOHM MIN
  - CONTACT RESISTANCE:
    - CENTER CONTACT - INITIAL 1.5 MILLIOHM MAX, AFTER ENVIRONMENTAL 2.0 MILLIOHM MAX
    - OUTER CONDUCTOR - INITIAL 0.2 MILLIOHM MAX, AFTER ENVIRONMENTAL NOT APPLICABLE
  - CORONA LEVEL: 500 VOLTS MIN AT 70,000 FEET
  - INSERTION LOSS: .05 √F (GHz) dB MAX, TESTED AT 9 GHz
  - RF LEAKAGE: -90 dB MIN AT 2 TO 3 GHz
  - RF HIGH POTENTIAL WITHSTANDING VOLTAGE: 1500 VRMS AT 4 AND 7 MHz
  - THIRD ORDER INTERMODULATION PRODUCT (IMP3): TYPICALLY < -90 dBm  
(TESTED PER IEC GUIDELINES WITH 20W CW INPUTS AT 1930-1990 MHz)

MECHANICAL:

- ENGAGE/DISENGAGE TORQUE: 6 IN-LBS MAX
- MATING TORQUE: 7-10 IN-LBS
- COUPLING PROOF TORQUE: NOT APPLICABLE
- COUPLING NUT RETENTION: NOT APPLICABLE
- CONTACT RETENTION: 6 LBS MIN AXIAL FORCE
- DURABILITY: 500 CYCLES MIN

ENVIRONMENTAL:


- (MEETS OR EXCEEDS THE APPLICABLE PARAGRAPH OF MIL-PRF-55339)
- THERMAL SHOCK: MIL-STD-202, METHOD 107, CONDITION C, EXCEPT 85°C HIGH TEMP
- OPERATING TEMPERATURE: -65°C TO 165°C
- CORROSION: MIL-STD-202, METHOD 101, CONDITION B
- SHOCK: MIL-STD-202, METHOD 213, CONDITION I
- VIBRATION: MIL-STD-202, METHOD 204, CONDITION B
- MOISTURE RESISTANCE: MIL-STD-202, METHOD 106

CUSTOMER DRAWING

THIS DRAWING TO BE INTERPRETED PER ASME Y 14.5M - 1994

"μSTATION"

COMPANY CONFIDENTIAL

TOLERANCE UNLESS OTHERWISE SPECIFIED		DRAWN BY	DATE	 <b>Cinch</b> CONNECTIVITY SOLUTIONS a bel group	<b>Cinch Connectivity Solutions</b> P.O. Box 1732 Waseca, MN 56093 1-800-247-8256
DECIMALS	mm	PAT	1-31-06		
.XX	_____	CHECKED BY	DATE	TITLE	
.XXX REF	_____	PDW	4-7-06		
MATL	_____	APPROVED BY	DATE	SHEET	DRAWING NO.
FINISH	_____	JRK	4-7-06		
		RELEASE DATE	4-7-06		
		U/M INCH	SCALE		
			5:1		