



Chipsmall Limited consists of a professional team with an average of over 10 year of expertise in the distribution of electronic components. Based in Hongkong, we have already established firm and mutual-benefit business relationships with customers from,Europe,America and south Asia,supplying obsolete and hard-to-find components to meet their specific needs.

With the principle of “Quality Parts,Customers Priority,Honest Operation,and Considerate Service”,our business mainly focus on the distribution of electronic components. Line cards we deal with include Microchip,ALPS,ROHM,Xilinx,Pulse,ON,Everlight and Freescale. Main products comprise IC,Modules,Potentiometer,IC Socket,Relay,Connector.Our parts cover such applications as commercial,industrial, and automotives areas.

We are looking forward to setting up business relationship with you and hope to provide you with the best service and solution. Let us make a better world for our industry!



Contact us

Tel: +86-755-8981 8866 Fax: +86-755-8427 6832

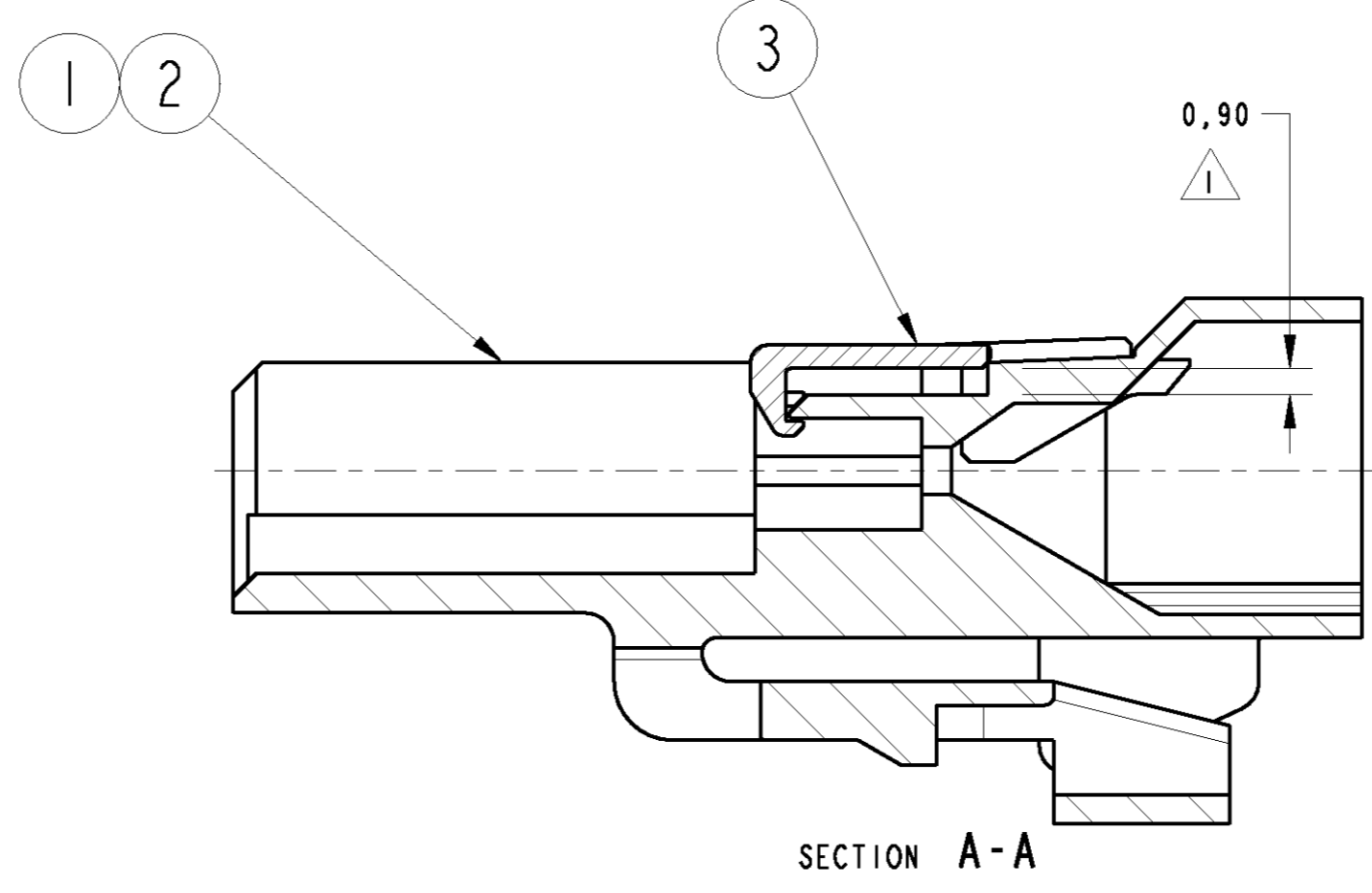
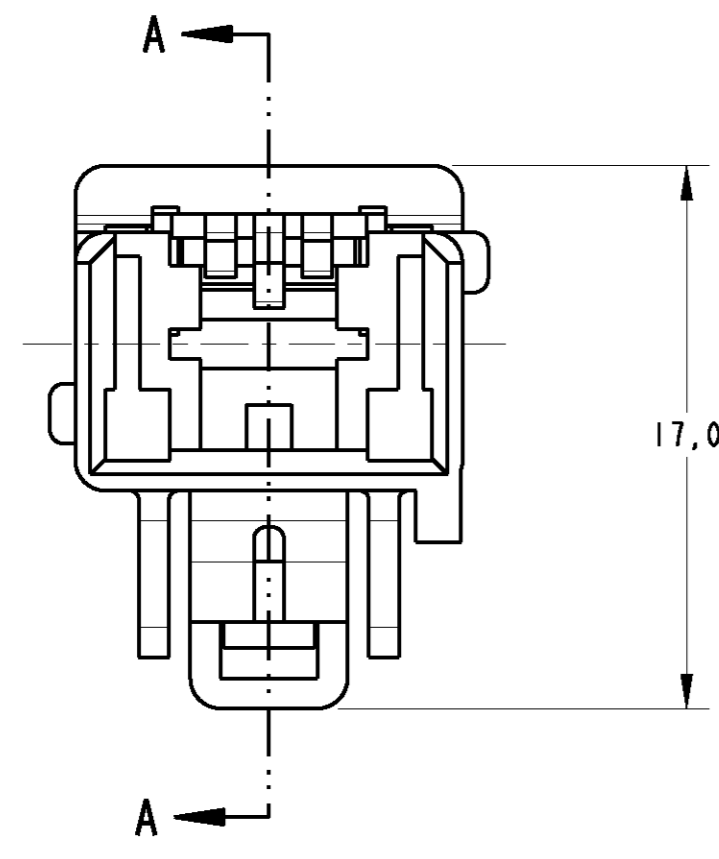
Email & Skype: info@chipsmall.com Web: www.chipsmall.com

Address: A1208, Overseas Decoration Building, #122 Zhenhua RD., Futian, Shenzhen, China

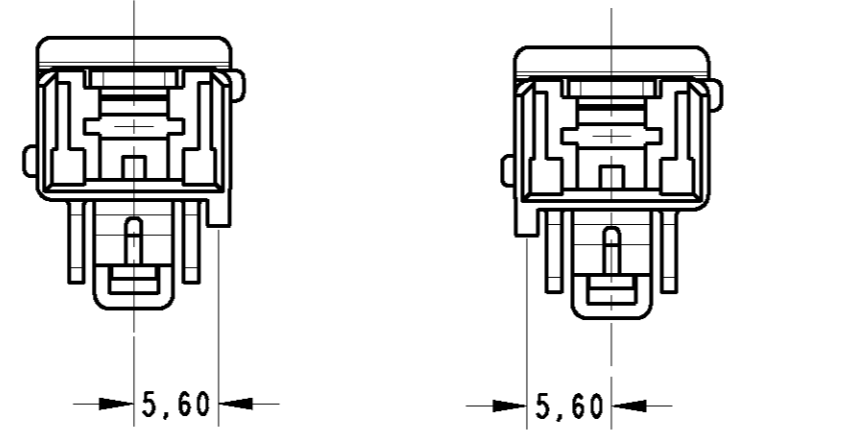
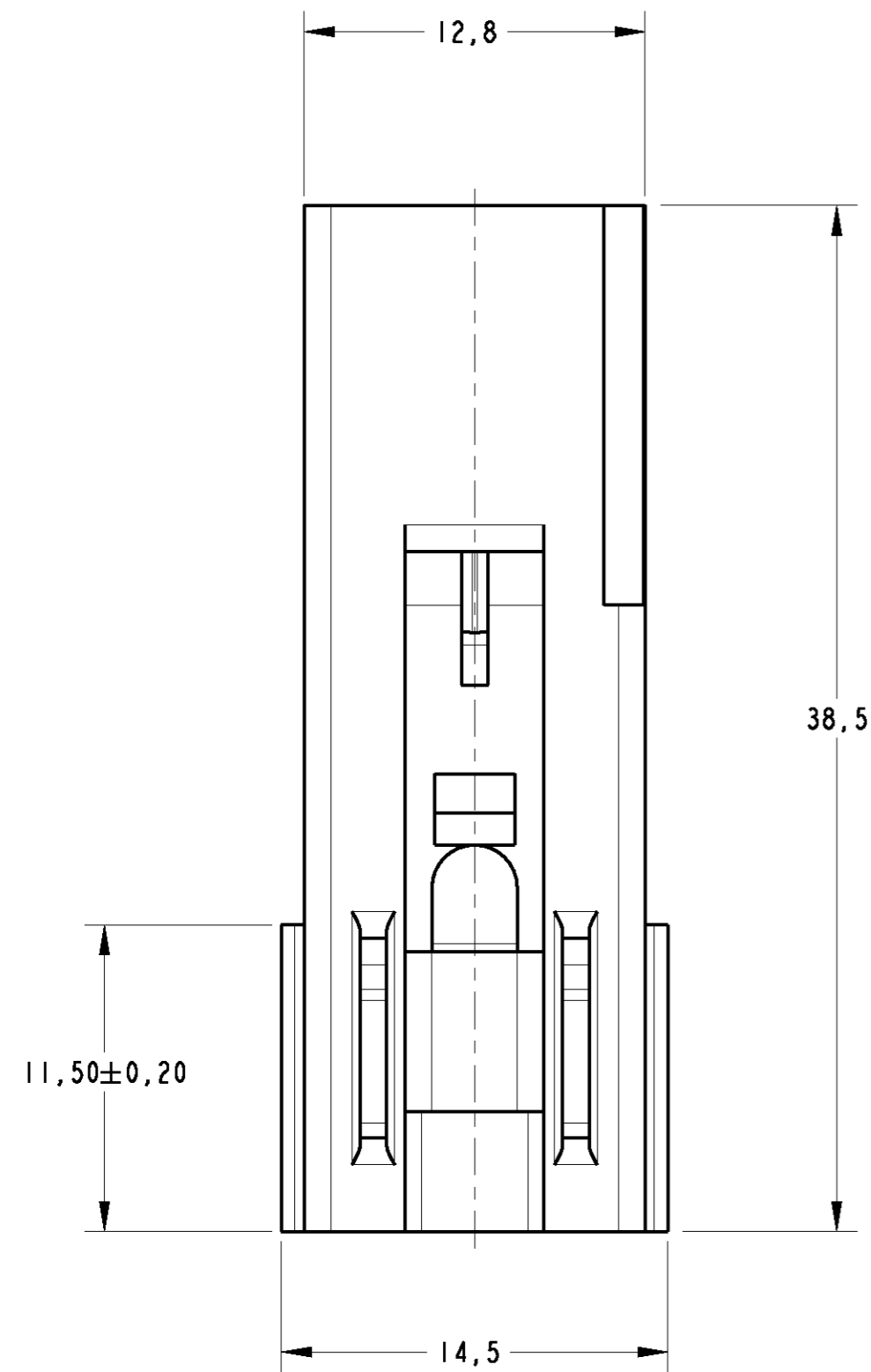


THIS DRAWING IS UNPUBLISHED. RELEASED FOR PUBLICATION
 © COPYRIGHT 20 BY TYCO ELECTRONICS CORPORATION. ALL RIGHTS RESERVED.

LOC		DIST		REVISIONS			
P	LTR	DESCRIPTION	DATE	DWN	APVD		
AP	-						
		C2	REVISED BY ECO-09-003255	10JUN2009	EGS	MBG	

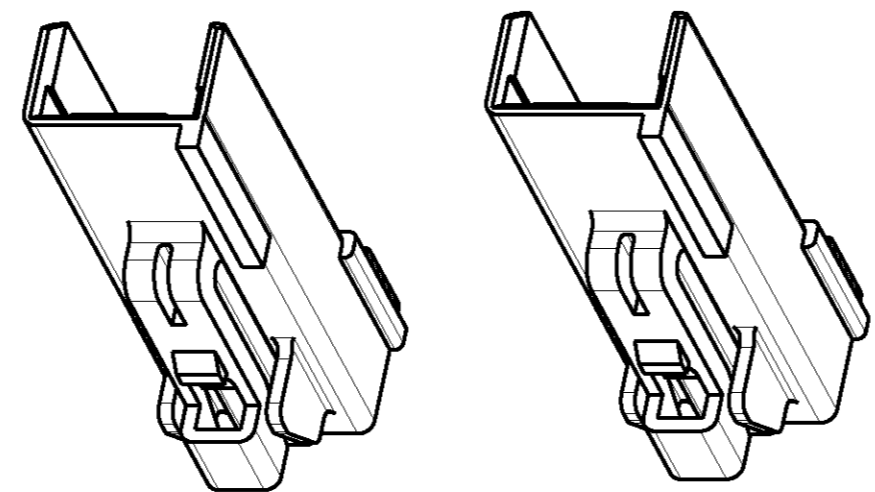


GRAVAÇÃO	MARKING
LOGOTIPO TE	TE LOGO
CÓDIGO PAÍS PRODUTOR	MANUFACTURER COUNTRY CODE
NOMENCLATURA MATERIAL	MATERIAL NOMENCLATURE
NÚMERO COMPONENTE TE	TE COMPONENT NUMBER
NÚMERO CAVIDADE	CAVITY NUMBER
LOGOTIPO CLIENTE	CUSTOMER LOGO
REV+ LETRA REV.DA PEÇA	REV.+ PART REV.LETTER



TYCO PN 1380085-1
 FORD PN 2S65-14A459-AB
 SCALE 2:1

TYCO PN 1380085-2
 FORD PN 2S65-14A459-BB
 SCALE 2:1



- 1 - OS ITENS DEVERÃO SER FORNECIDOS COMO MOSTRADO.
- 2 - DEVE ESTAR CONFORME A ELECTRICAL CONNECTION SYSTEM DESIGN SPECIFICATION (SDS) REV.6
- 3 - DEVE ESTAR CONFORME A USCAR PERFORMANCE STANDARD FOR AUTOMOTIVE ELECTRICAL CONNECTION SYSTEM REV.2

- 1 - ITEMS MUST BE SUPPLIED AS SHOWN.
- 2 - PART MUST CONFORM TO THE ELECTRICAL CONNECTION SYSTEM DESIGN SPECIFICATION (SDS) REV.6
- 3 - PART MUST CONFORM TO USCAR PERFORMANCE STANDARD FOR AUTOMOTIVE ELECTRICAL CONNECTION SYSTEM REV.2.

REQ PER ASSY	ITEM	DESCRIPTION	MATERIAL	FINISH
	3	SPACER IPOSN. .250 FASTIN ON TAB	PBT + 33% FV/GF	VERMELHO/RED
	2	HOUSING IPOSN. .250 FASTIN ON TAB	PBT + 10% FV/GF	PRETO / BLACK
	1	HOUSING IPOSN. .250 FASTIN ON TAB	PBT + 10% FV/GF	NATURAL
1380085	-2-1			

DIMENSIONS: mm 		TOLERANCES UNLESS OTHERWISE SPECIFIED: 0 PLC ± 1 PLC ±0,3 2 PLC ± 3 PLC ± 4 PLC ± ANGLES ± FINISH ±1		DWN P.L.FARIA 22AUG00 CHK M.L.OGAWA 22AUG00 APVD J.A.MARSON 22AUG00 PRODUCT SPEC - APPLICATION SPEC - WEIGHT -	Tyco Electronics TYCO ELECTRONICS do Brasil LTDA. São Paulo, Brasil
SEE TABLE		SEE TABLE		NAME HOUSING ASSY, IPOSN .250 FASTIN ON TAB SIZE A2 CAGE CODE 00779 DRAWING NO G-1380085 RESTRICTED TO - SCALE 4:1 SHEET 1 OF 1 REV C2	

CAD
 DO NOT REVISE EXCEPT BY CAD

1380085