



Chipsmall Limited consists of a professional team with an average of over 10 year of expertise in the distribution of electronic components. Based in Hongkong, we have already established firm and mutual-benefit business relationships with customers from,Europe,America and south Asia,supplying obsolete and hard-to-find components to meet their specific needs.

With the principle of “Quality Parts,Customers Priority,Honest Operation,and Considerate Service”,our business mainly focus on the distribution of electronic components. Line cards we deal with include Microchip,ALPS,ROHM,Xilinx,Pulse,ON,Everlight and Freescale. Main products comprise IC,Modules,Potentiometer,IC Socket,Relay,Connector.Our parts cover such applications as commercial,industrial, and automotives areas.

We are looking forward to setting up business relationship with you and hope to provide you with the best service and solution. Let us make a better world for our industry!



Contact us

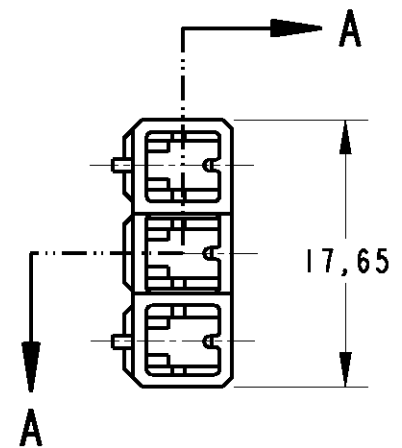
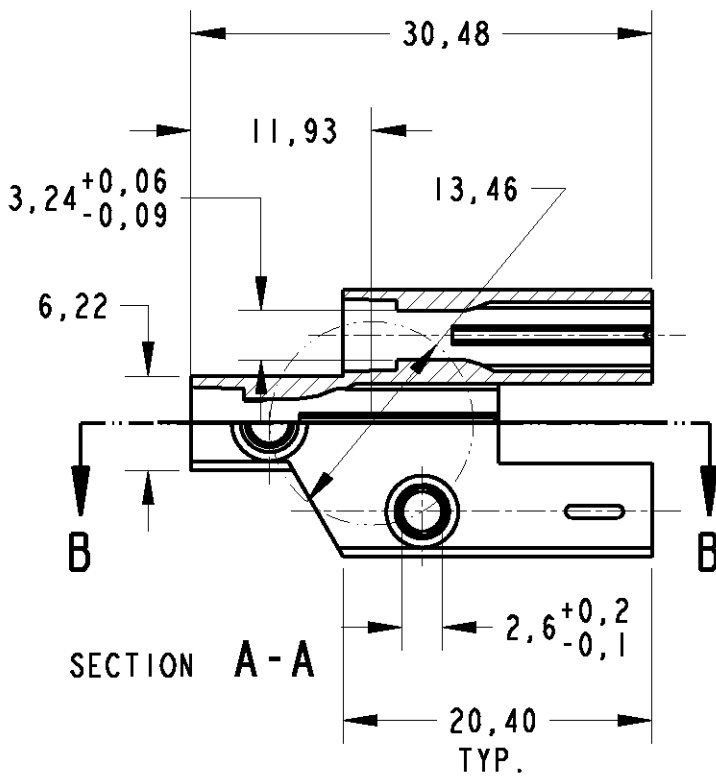
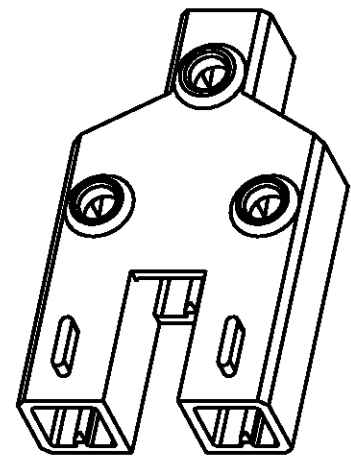
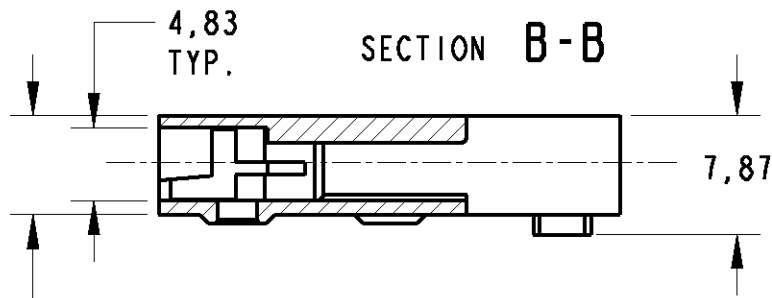
Tel: +86-755-8981 8866 Fax: +86-755-8427 6832

Email & Skype: info@chipsmall.com Web: www.chipsmall.com

Address: A1208, Overseas Decoration Building, #122 Zhenhua RD., Futian, Shenzhen, China



LOC	DIST	REVISIONS					
AP	-	P	LTR	DESCRIPTION	DATE	DWN	APVD
		O		RELEASED EC LB00-0167/01 WAS99-29124-001	24APR01	H.C	WLS
		A		REVISED BY EC LB00-0208/01	15MAY2001	H.C	WLS
		B		REVISED BY EC LB00-0372-02	12DEC2002	H.C	WLS
		C		REVISED BY LE-06-011315	16MA12006	HC	WLS



RELEASED FOR PUBLICATION

THIS DRAWING IS UNPUBLISHED.

COPYRIGHT 19 BY TYCO ELECTRONICS CORPORATION. ALL RIGHTS RESERVED.

-	NATURAL	PBT VALOX 310-SE0	1380145-2
-	NATURAL	PBT VALOX 310	1380145-1
OTHER TREATMENT	FINISH	MATERIAL	PART NUMBER

DIMENSIONS:	
mm	
TOLERANCES UNLESS OTHERWISE SPECIFIED:	
0 PLC	±-
1 PLC	±-
2 PLC	±0,3
3 PLC	±-
4 PLC	±-
ANGLES	±-

DWN	H.C. CANTERI	17NOV00
CHK	W.L. STEFANI	17NOV00
APVD	-	-
PRODUCT SPEC	108-2008	
APPLICATION SPEC	-	
WEIGHT	-	
CUSTOMER DRAWING		

MATERIAL		FINISH	
-		-	
AMP		AMP do Brasil LTDA. São Paulo, Brasil	
NAME		CLUSTER BLOCK HSG. 2,29 (.090) DIA.	
SIZE	CAGE CODE	DRAWING NO	RESTRICTED TO
A4	00779	C-1380145	-
SCALE		SHEET	OF
-		1	1
REV			C