



Chipsmall Limited consists of a professional team with an average of over 10 year of expertise in the distribution of electronic components. Based in Hongkong, we have already established firm and mutual-benefit business relationships with customers from,Europe,America and south Asia,supplying obsolete and hard-to-find components to meet their specific needs.

With the principle of “Quality Parts,Customers Priority,Honest Operation,and Considerate Service”,our business mainly focus on the distribution of electronic components. Line cards we deal with include Microchip,ALPS,ROHM,Xilinx,Pulse,ON,Everlight and Freescale. Main products comprise IC,Modules,Potentiometer,IC Socket,Relay,Connector.Our parts cover such applications as commercial,industrial, and automotives areas.

We are looking forward to setting up business relationship with you and hope to provide you with the best service and solution. Let us make a better world for our industry!



## Contact us

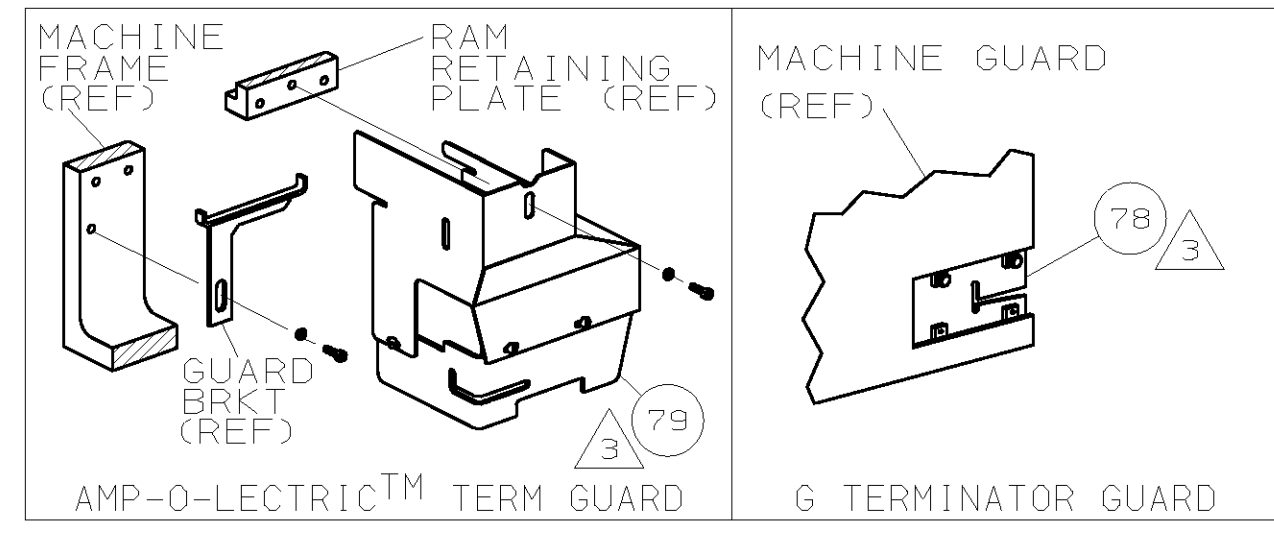
Tel: +86-755-8981 8866 Fax: +86-755-8427 6832

Email & Skype: info@chipsmall.com Web: www.chipsmall.com

Address: A1208, Overseas Decoration Building, #122 Zhenhua RD., Futian, Shenzhen, China

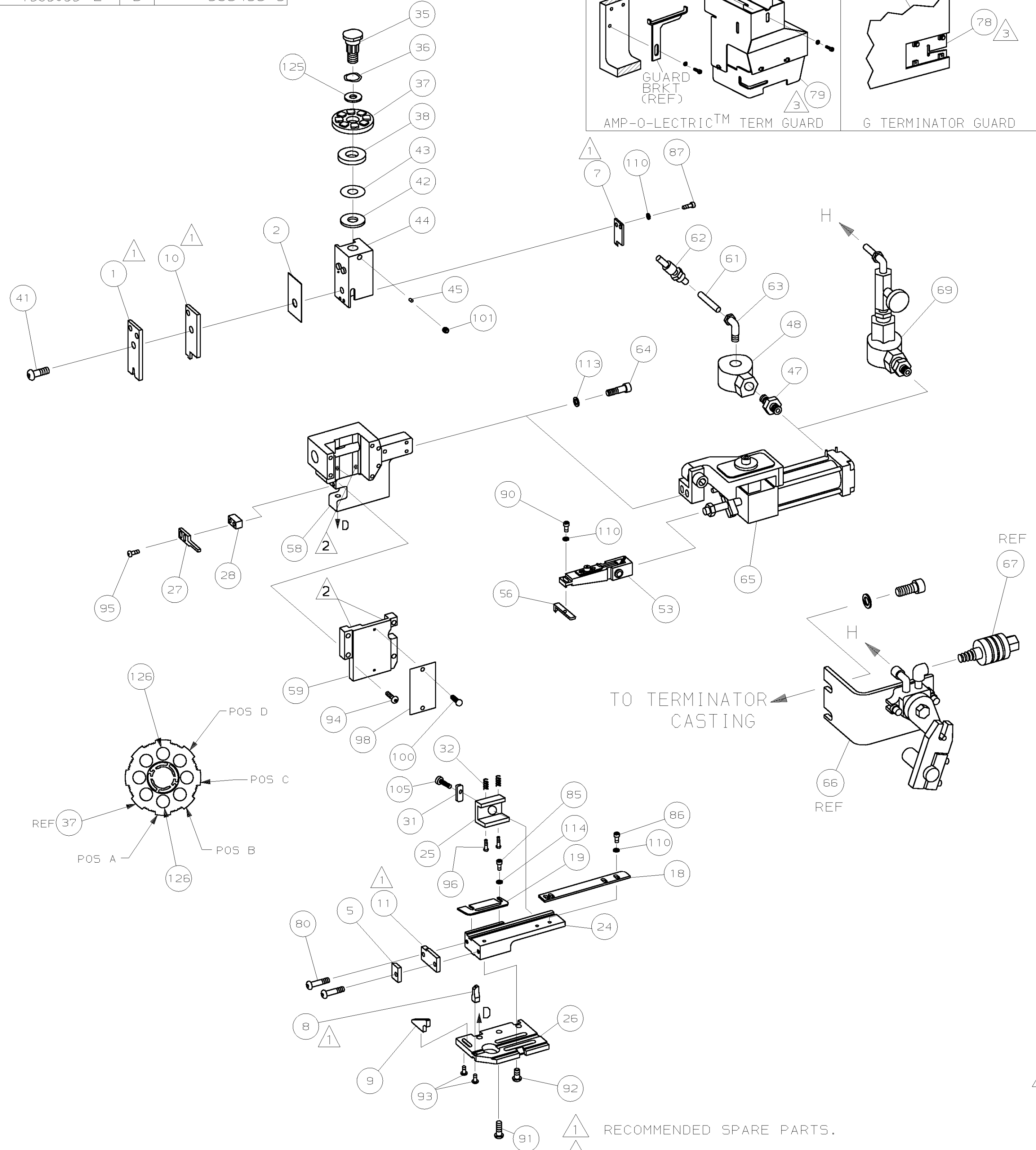


PART NUMBER	REV	FIRST USED
1385033-1	B	122500-1
1385033-2	B	565435-5



TERMINAL NAME: .250 SERIES FLAG FASTON RECEPTACLE					
60960-3 CRIMP DATA (AMP TERMINAL - AMP SPEC)					
PAD LTR	CRIMP HEIGHT	WIRE SIZE			
A	.101 ±.002 [2.57 ±0.05mm]	10			
B	NOT	USED			
C	NOT	USED			
D	NOT	USED			
CRIMP	SIZE	TYPE	RANGE		
WIRE	.155 [3.94mm]	F	10		
INSUL	-	-	-		
WIRE STRIP LENGTH	TERM APPL SPEC	FEED	APPL INSTRUCTION	SET UP GAGE	LAYOUT
.190-.219	114-2079	.685	408-8039	458638-1	L2344

-1	LEADMAKER & BENCH MODEL G	AIR FEED		
-2	BENCH MODEL K	AIR FEED		



- 1 RECOMMENDED SPARE PARTS.
- 2 GREASE LIGHTLY.
- 3 GUARD MUST BE IN PLACE WHEN OPERATING APPLICATOR IN A BENCH MACHINE.
- 4 SEE DRAWING FOR COMPONENTS.
- 5 ITEM 78 USED WITH G TERMINATOR ONLY.
- 6 FEED FINGER TO GUIDE OFF OF SIDE OF ITEM 19.

QTY	REV	U/M	DWG SIZE	PART NO	DESCRIPTION	ITEM NO
129						129
128						128
127						127
2	2	-	C	3-354778-1	PIN, WIRE DISC (.2660)A	126
1	1	-	A	986950-1	WASHER, FLAT PRECISION	125
1	1	-	A	217238-1	GENERAL INSTRUCTION PACKAGE	124
1	1	-	-	4088039	EF APPL INST 408-8039	123
						122
						121
						120
						119
						118
						117
						116
						115
2	2	-	A	21024-2	WASHER, LOCK (#4) RR STR GUIDE	114
2	2	-	A	21024-5	WASHER, LOCK (#10) AIR ASSY	113
						112
						111
2	2	-	A	21024-4	WASHER, LOCK (NO. 8) FR STR GUIDE	110
						109
						108
						107
						106
1	1	-	A	22353-8	SCR, SHLD (Ø.187x.25) DRAG LEVER	105
						104
						103
						102
1	1	-	A	21009-2	SCR, SKT SET (1/4-20x.25) RAM	101
2	2	-	A	21017-2	SCR, DRIVE (#2x.19) ID PLATE	100
						99
1	1	-	B	461264-1	PLATE, IDENTIFICATION	98
						97
2	2	-	A	3-21002-0	SCR, BHC (10-32x.88) DRAG	96
2	2	-	A	2-21002-4	SCR, BHC (8-32x.75) STRIPPER	95
4	4	-	A	2-21002-9	SCR, BHC (10-32x.75) H5G CAP	94
3	3	-	A	22733-8	SCR, BHC (8-32x.38 LW) ANVIL	93
4	4	-	A	3-21002-3	SCR, BHC (1/4-20x.50) ST 6D PL	92
3	3	-	A	2-22733-8	SCR, BHC (1/4-20x.62) BASE PL	91
1	1	-	A	2-22603-1	SCR, HEX HD (8-32x.38) FEED FINGER	90
						89
						88
2	2	-	A	2-21000-5	SCR, SHC (8-32x.25) SLUG BLADE	87
2	2	-	A	2-21000-7	SCR, SHC (8-32x.50) STRIP GUIDE	86
2	2	-	A	1-21000-3	SCR, SHC (4-40x.25) STRIP GUIDE	85
						84
						83
						82
						81
2	2	-	A	2-21002-8	SCR, BHC (10-32x.62) SHEAR PL	80
REF	-	-	A	455745-8	GUARD, WINDOW	79
-	REF	-	A	679532-1	INSERT, GUARD	78
						77
						76
						75
						74
						73
						72
						71
QTY	REV	U/M	DWG SIZE	PART NO	DESCRIPTION	ITEM NO
-2	-1	U/M	DWG SIZE	PART NO	DESCRIPTION	ITEM NO

70						70
69						69
68						68
67						67
66						66
65						65
64						64
63						63
62						62
61						61
60						60
59						59
58						58
57						57
56						56
55						55
54						54
53						53
52						52
51						51
50						50
49						49
48						48
47						47
46						46
45						45
44						44
43						43
42						42
41						41
40						40
39						39
38						38
37						37
36						36
35						35
34						34
33						33
32						32
31						31
30						30
29						29
28						28
27						27
26						26
25						25
24						24
23						23
22						22
21						21
20						20
19						19
18						18
17						17
16						16
15						15
14						14
13						13
12						12
11						11
10						10
9						9
8						8
7						7
6						6
5						5
4						4
3						3
2						2
1						1

QTY	REV	U/M	DWG SIZE	PART NO	DESCRIPTION	ITEM NO
-2	-1	U/M	DWG SIZE	PART NO	DESCRIPTION	ITEM NO

THIS DRAWING IS A CONTROLLED DOCUMENT.

RELEASED FOR PUBLICATION APR 5, 2000 BY AMP INCORPORATED. ALL RIGHTS RESERVED.

LOC A  
DIST 66