



Chipsmall Limited consists of a professional team with an average of over 10 year of expertise in the distribution of electronic components. Based in Hongkong, we have already established firm and mutual-benefit business relationships with customers from,Europe,America and south Asia,supplying obsolete and hard-to-find components to meet their specific needs.

With the principle of “Quality Parts,Customers Priority,Honest Operation,and Considerate Service”,our business mainly focus on the distribution of electronic components. Line cards we deal with include Microchip,ALPS,ROHM,Xilinx,Pulse,ON,Everlight and Freescale. Main products comprise IC,Modules,Potentiometer,IC Socket,Relay,Connector.Our parts cover such applications as commercial,industrial, and automotives areas.

We are looking forward to setting up business relationship with you and hope to provide you with the best service and solution. Let us make a better world for our industry!



Contact us

Tel: +86-755-8981 8866 Fax: +86-755-8427 6832

Email & Skype: info@chipsmall.com Web: www.chipsmall.com

Address: A1208, Overseas Decoration Building, #122 Zhenhua RD., Futian, Shenzhen, China



PROJECT NO.

USED ON

1393454-6

DWG NO

THIS INFORMATION IS CONFIDENTIAL AND PROPRIETARY TO AMP INCORPORATED AND ITS WORLDWIDE SUBSIDIARIES AND AFFILIATES. IT MAY NOT BE DISCLOSED TO ANY ONE, OTHER THAN AMP PERSONNEL WITHOUT WRITTEN AUTHORIZATION FROM AMP INCORPORATED, HARRISBURG, PENNSYLVANIA USA

Produkt-Zeichnung für PN 1393454-6

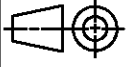
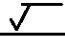
EC Nr. V23542-C1052-Z100

siehe 1411343

LOC

AI

DIST

						DWN P. Spohr	26.10.01	CHK B. Leonhardt	26.10.01	APVD S. Glaser	26.10.01		
						DIMENSIONS: mm			MATERIAL		HT TR		
							TOLERANCES UNLESS OTHERWISE SPECIFIED:			tyco Electronics tyco Electronics AMP GmbH D-64625 Bensheim			
A1	EG00-2717-00	26.10.01	PS	BL			0 PLC ± -	1 PLC ± -	2 PLC ± -	3 PLC ± -	4 PLC ± -	NAME 52 pol. Abdeckkappe fuer 80 pol. Motorstecker	
P	LTR	REVISION RECORD	DATE	DWN	APVD	SURFACE TEXTURE 							
THIS DRAWING IS A CONTROLLED DOCUMENT FOR AMP INCORPORATED. IT IS SUBJECT TO CHANGE AND THE CONTROLLING ENGINEERING ORGANIZATION SHOULD BE CONTACTED FOR THE LATEST REVISION.						SCALE	SIZE/FMT A4	DRAWING NO 1393454-6			SHEET 1	OF 1	REV A1