



Chipsmall Limited consists of a professional team with an average of over 10 year of expertise in the distribution of electronic components. Based in Hongkong, we have already established firm and mutual-benefit business relationships with customers from,Europe,America and south Asia,supplying obsolete and hard-to-find components to meet their specific needs.

With the principle of “Quality Parts,Customers Priority,Honest Operation,and Considerate Service”,our business mainly focus on the distribution of electronic components. Line cards we deal with include Microchip,ALPS,ROHM,Xilinx,Pulse,ON,Everlight and Freescale. Main products comprise IC,Modules,Potentiometer,IC Socket,Relay,Connector.Our parts cover such applications as commercial,industrial, and automotives areas.

We are looking forward to setting up business relationship with you and hope to provide you with the best service and solution. Let us make a better world for our industry!



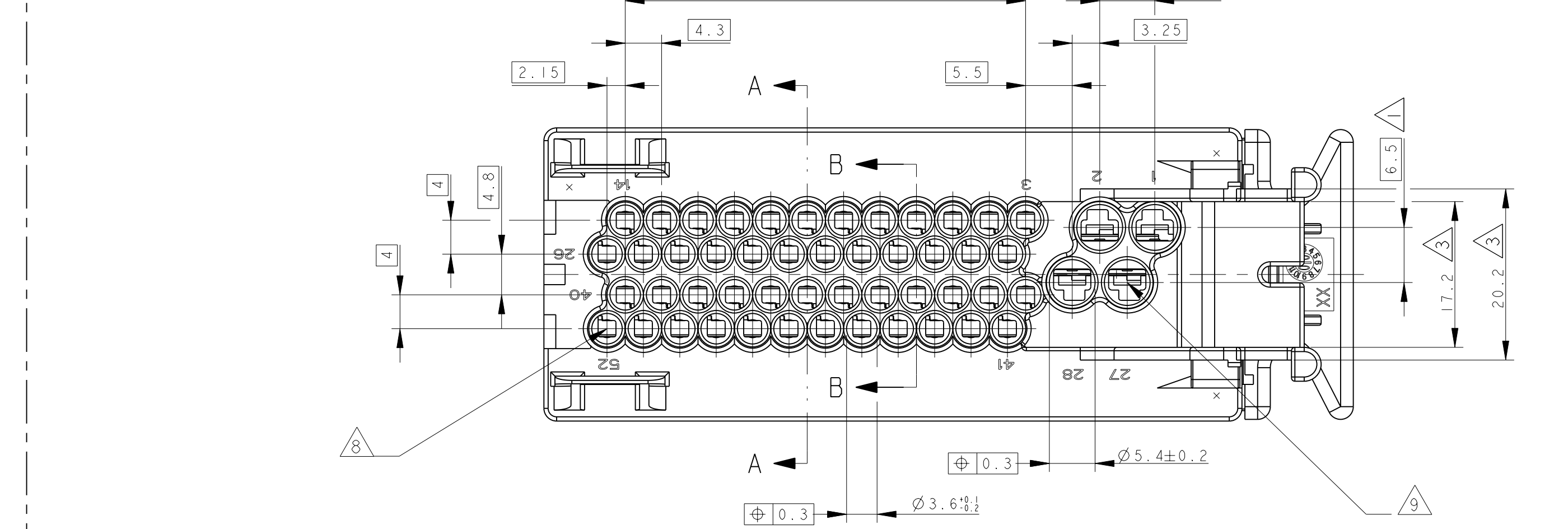
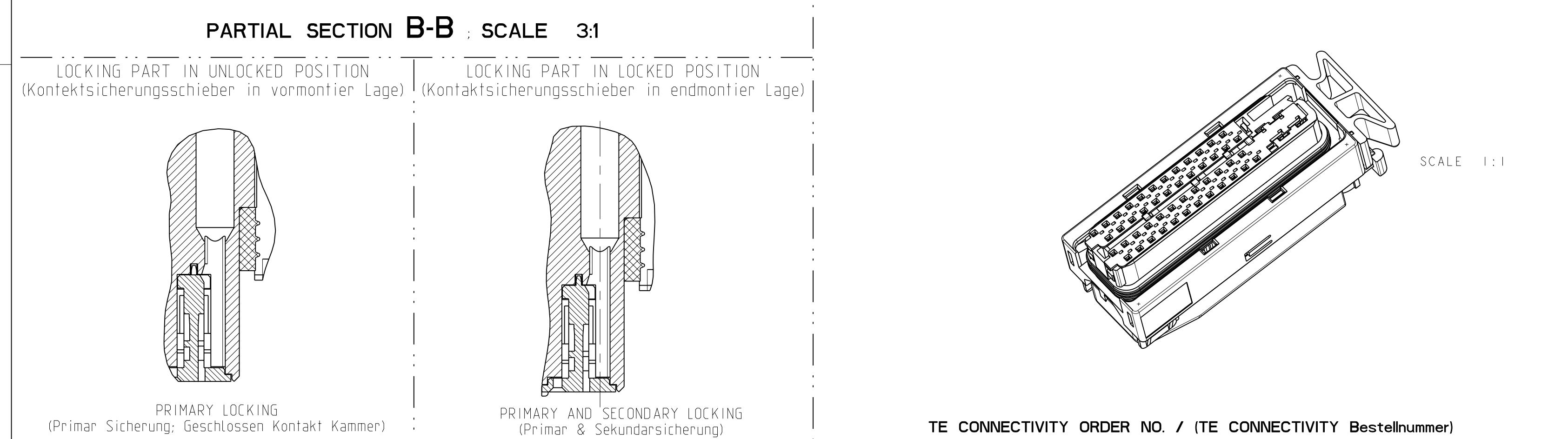
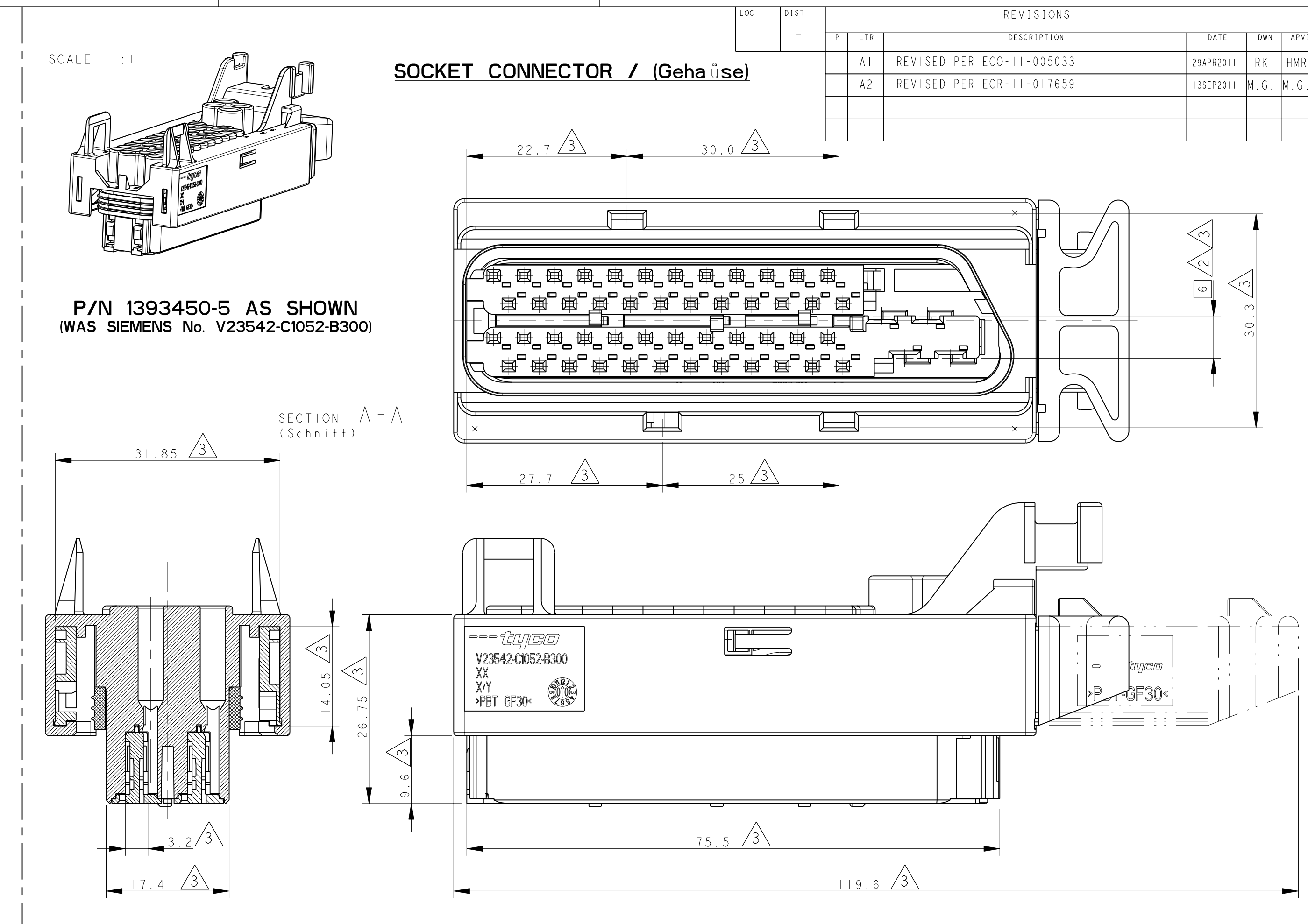
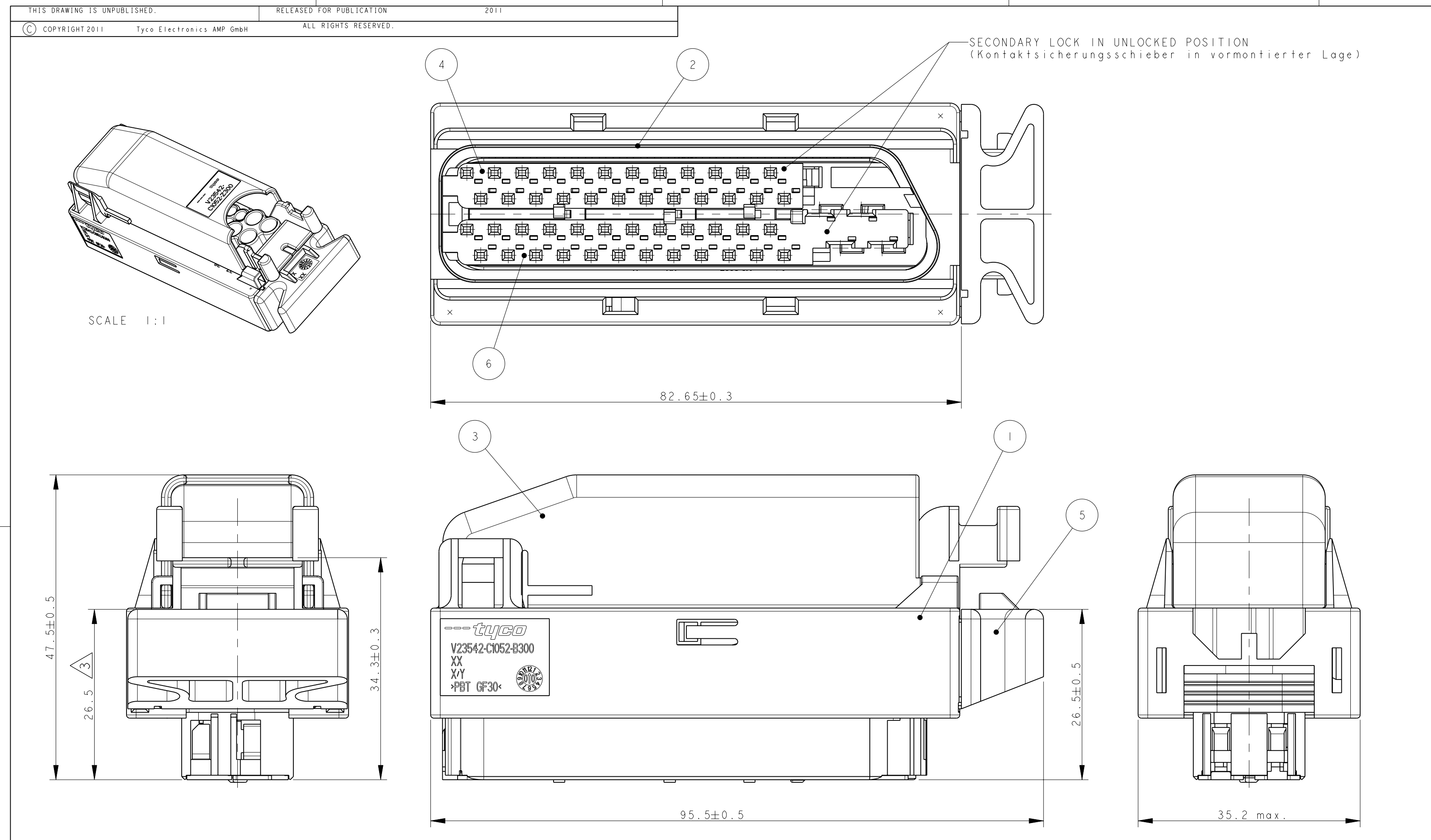
Contact us

Tel: +86-755-8981 8866 Fax: +86-755-8427 6832

Email & Skype: info@chipsmall.com Web: www.chipsmall.com

Address: A1208, Overseas Decoration Building, #122 Zhenhua RD., Futian, Shenzhen, China





ONLY IN SEAL AREA / (Nur im einzeltuellebereich)
ONLY IN SLOT AREA / (Nur im steckfensterbereich)
NOMINAL DIMENSION, ONLY FOR INFO: NOT IN INITIAL SAMPLE REPORT / (Nominale Mass, nur zu info: kommt nicht in Erstmusterprüfbericht)
RECYCLED MATERIAL MAX. 25% / (Regeneratbeimischung max. 25%)
LIQUID COLOR ALLOWED / (Liquideinfärbung zugelassen)
SILICONE RUBBER / (Silikonkautschuk)
RESISTANT TO OZONE AND TO HOT AIR +180°C / (Ozonbeständig, warmluftbeständig +180°C)
RESISTANT TO COLD -45°C, OIL PRECENTAGE 2%+1% / (Kältebeständig -45°C, Ölanteil 2%+1%)
USE TEST ADAPTOR FOR CONTINUING TESTING ACCORDING V23542-C1052-B300-7424 / (Zu verwenden prüfadaptor siehe V23542-C1052-B300-7424)
FOR LENGTH TOLERANCES REFER TO DIN 16901-130; FOR ANGLES, FORM AND POSITION TOLERANCES REFER TO DIN ISO 2768-mH / (Längen DIN 16901-130; Winkel, Form und Lage: DIN ISO 2768-mH)
-NR.48 CAVITIES SUITABLE FOR ELO SEAL CONTACTS P/N 4-1411572-1 (0,35mm²) CRIMPED ON SINGLE WIRE SEALS P/N 964971-1 (OR, IN ALTERNATIVE, P/N 1393457-2), AND P/N 2-1411573-1 (0,5-0,75mm²) CRIMPED ON SINGLE WIRE SEALS P/N 1393457-1 (OR, IN ALTERNATIVE, P/N 963530-1). CAVITY PLUG TO CLOSE UNUSED CAVITIES: P/N 1393457-3 (OR, IN ALTERNATIVE, P/N 963531-1)
-NR.4 CAVITIES SUITABLE FOR ELO POWER SEAL CONTACTS P/N 1411593-1 (0,75-1,0mm²) CRIMPED ON SINGLE WIRE SEALS P/N 1393458-1, AND P/N 1411594-1-1 (1,5-2,5mm²) CRIMPED ON SINGLE WIRE SEALS P/N 1393457-4. CAVITY PLUGS TO CLOSE UNUSED CAVITIES: P/N 1393457-5
10) CONNECTOR SUITABLE TO MATE WITH HEADER COUNTERPART P/N 8-1393476-0

COVER / (Abdeckkappe) with dimensions. P/N 1393454-9 AS SHOWN (WAS SIEMENS No. V23542-C1052-Z300). MATERIAL LIST table with columns: ITEM, QTY, DESCRIPTION, MATERIAL, COLOR. Includes drawing parameters table and title block.