



Chipsmall Limited consists of a professional team with an average of over 10 year of expertise in the distribution of electronic components. Based in Hongkong, we have already established firm and mutual-benefit business relationships with customers from,Europe,America and south Asia,supplying obsolete and hard-to-find components to meet their specific needs.

With the principle of “Quality Parts,Customers Priority,Honest Operation,and Considerate Service”,our business mainly focus on the distribution of electronic components. Line cards we deal with include Microchip,ALPS,ROHM,Xilinx,Pulse,ON,Everlight and Freescale. Main products comprise IC,Modules,Potentiometer,IC Socket,Relay,Connector.Our parts cover such applications as commercial,industrial, and automotives areas.

We are looking forward to setting up business relationship with you and hope to provide you with the best service and solution. Let us make a better world for our industry!



Contact us

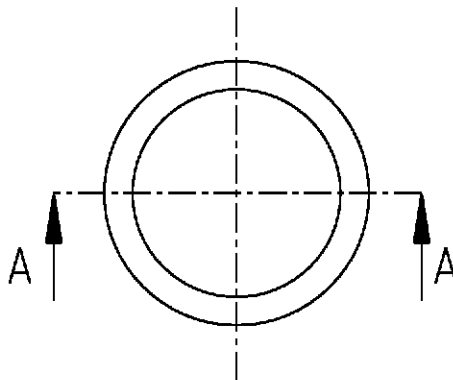
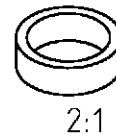
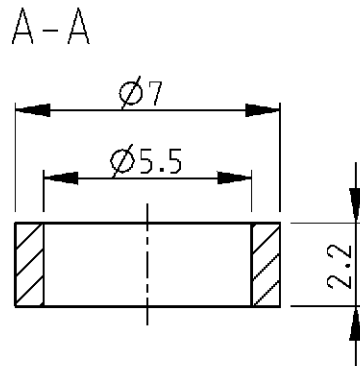
Tel: +86-755-8981 8866 Fax: +86-755-8427 6832

Email & Skype: info@chipsmall.com Web: www.chipsmall.com

Address: A1208, Overseas Decoration Building, #122 Zhenhua RD., Futian, Shenzhen, China



LOC	DIST	REVISIONS			
P	LTR	DESCRIPTION	DATE	DWN	APVD
GW	-	A	-	05APR2001	CM KM



1:1


C23335-A801-C339	1393562-2	Ring	Brass	min 2 µm Ni
Old Nr	Tyco Nr	Description	Material	Plating

2000

RELEASED FOR PUBLICATION

THIS DRAWING IS UNPUBLISHED.

© COPYRIGHT 2000 BY TYCO ELECTRONICS CORPORATION. ALL RIGHTS RESERVED.

DIMENSIONS: mm	DWN MOROBE 07MAR2001	MATERIAL -	FINISH -
	CHR MATTHEUWS 08MAR2001	 Tyco Electronics Oostkamp - Belgium	
TOLERANCES UNLESS OTHERWISE SPECIFIED:	APVD BOZZER 5APR2001		
0 PLC ±	PRODUCT SPEC 108-71032	SIZE A 4	CAGE CODE 00779
1 PLC ±0.5	APPLICATION SPEC -	DRAWING NO C=1393562-2	RESTRICTED TO -
2 PLC ±0.13	WEIGHT -	SCALE 5/1 SHEET 1 OF 1 REV A	
3 PLC ±0.013		CUSTOMER DRAWING	
4 PLC ±0.0001			
ANGLES ±			